

# FROST

DENMARK

NOVA2  
TOWEL BAR 3, 4, 7 & 8

Fitting instruction

Bavne Allé 32  
DK-8370 Hadsten  
+45 8761 0032  
info@frost.dk  
frostdenmark.com

N1916-1



N1916-2



N1916-3



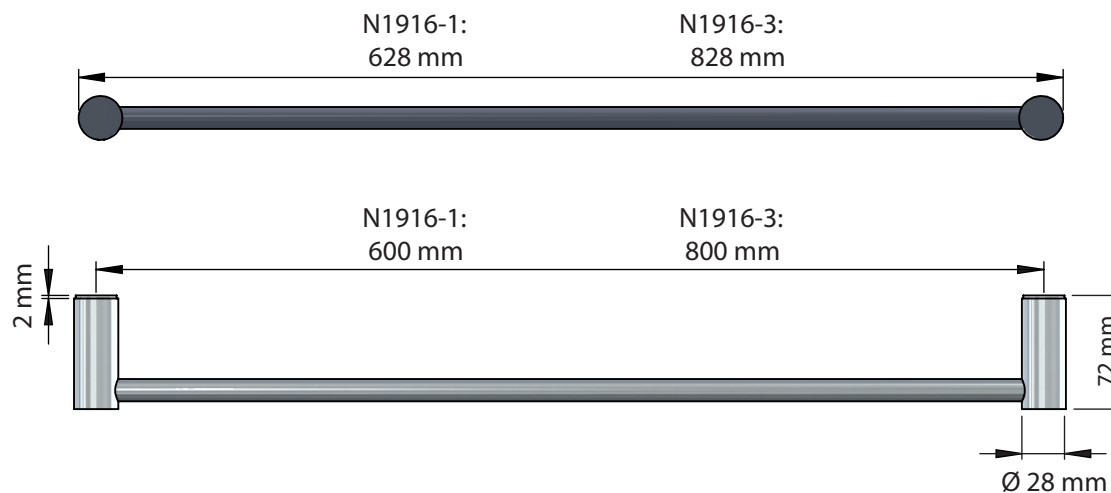
N1916-4



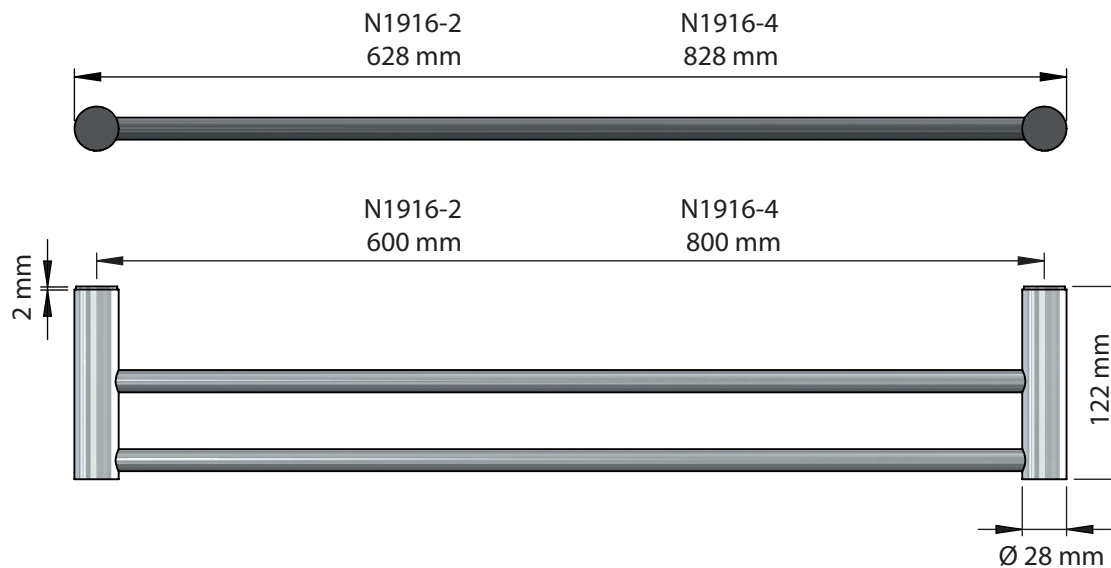
### Exclusion of liability

FROST accepts no liability whatsoever for damage to persons or property that occurs or has occurred as a result of improper installation or maintenance, particularly if the safety instructions and other points to note listed are not or have not been observed in full.

N1916-1 & N1916-3



N1916-2 & N1916-4

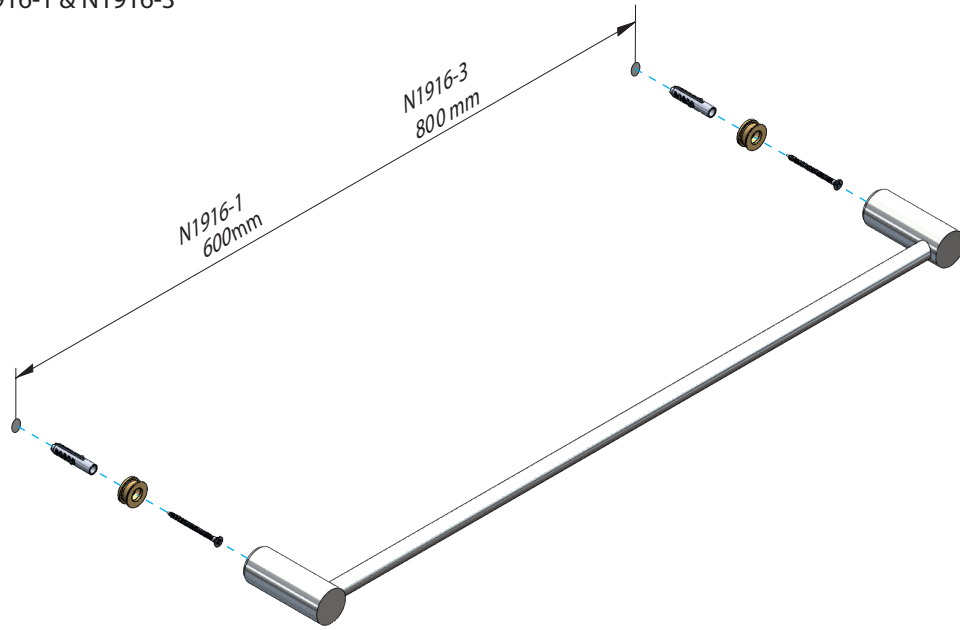


### Cleaning and maintenance

Stainless steel surfaces should be cleaned with a microfibre cloth, glass cleaner or other non abrasive and gentle agents.

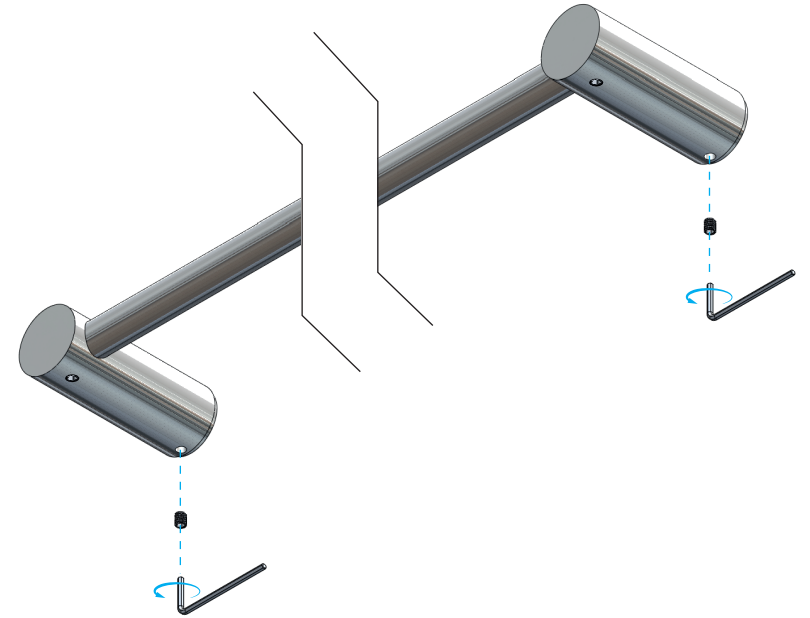
N1916-1 & N1916-3

1



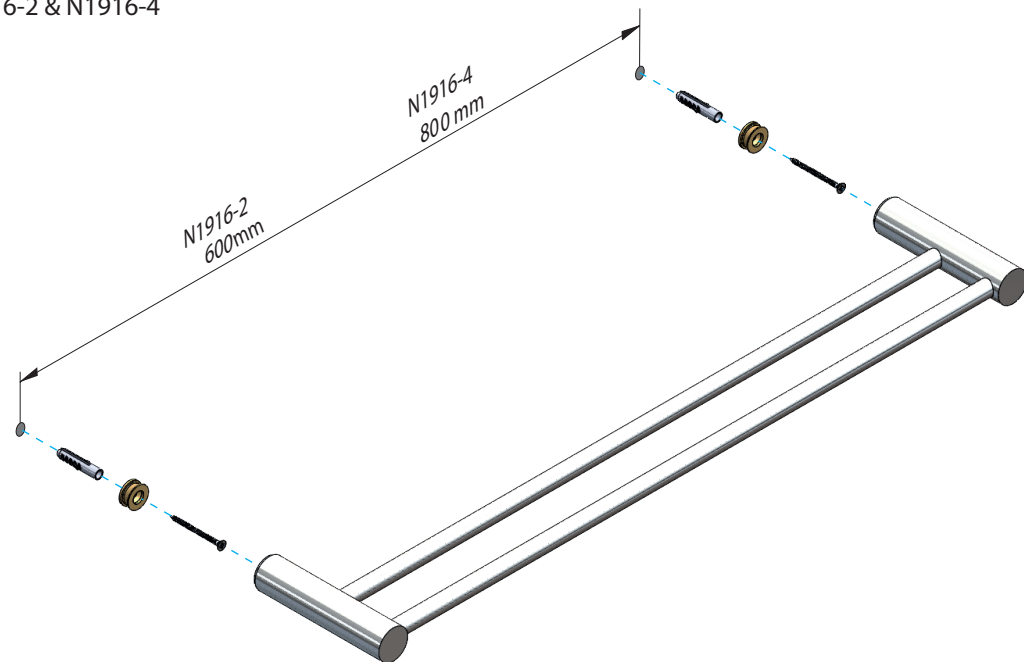
N1916-1 & N1916-3

2



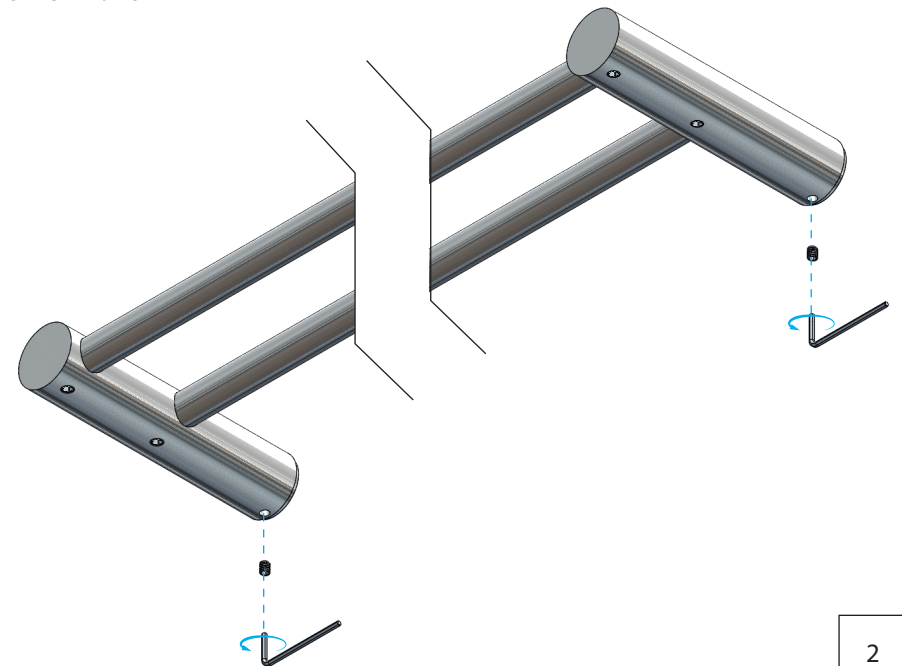
N1916-2 & N1916-4

1

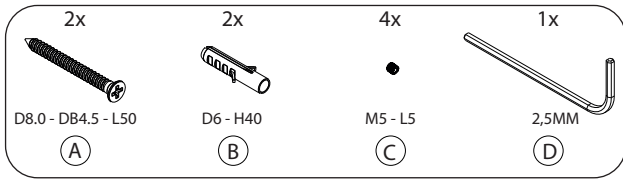
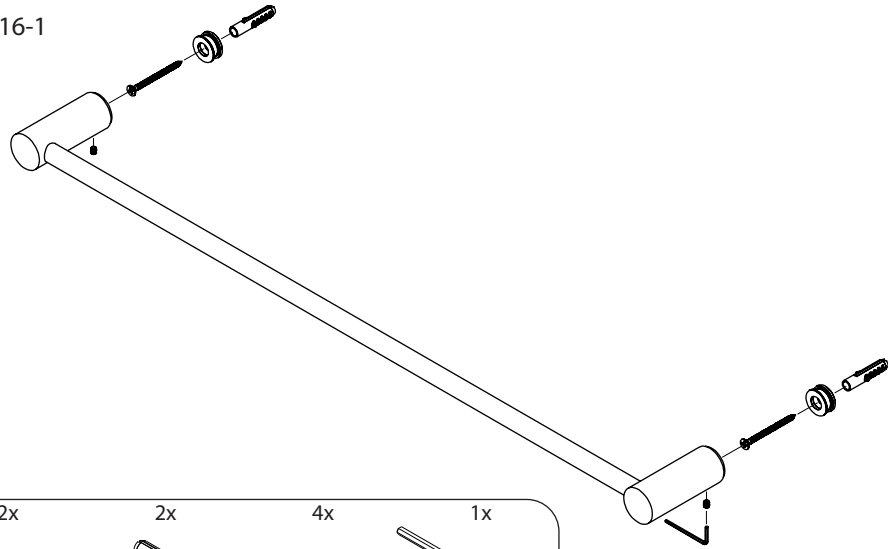


N1916-2 & N1916-4

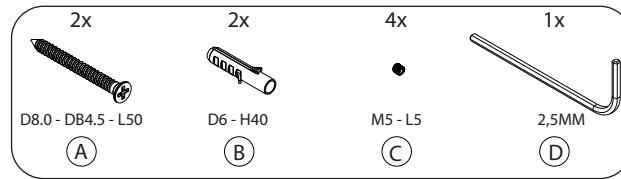
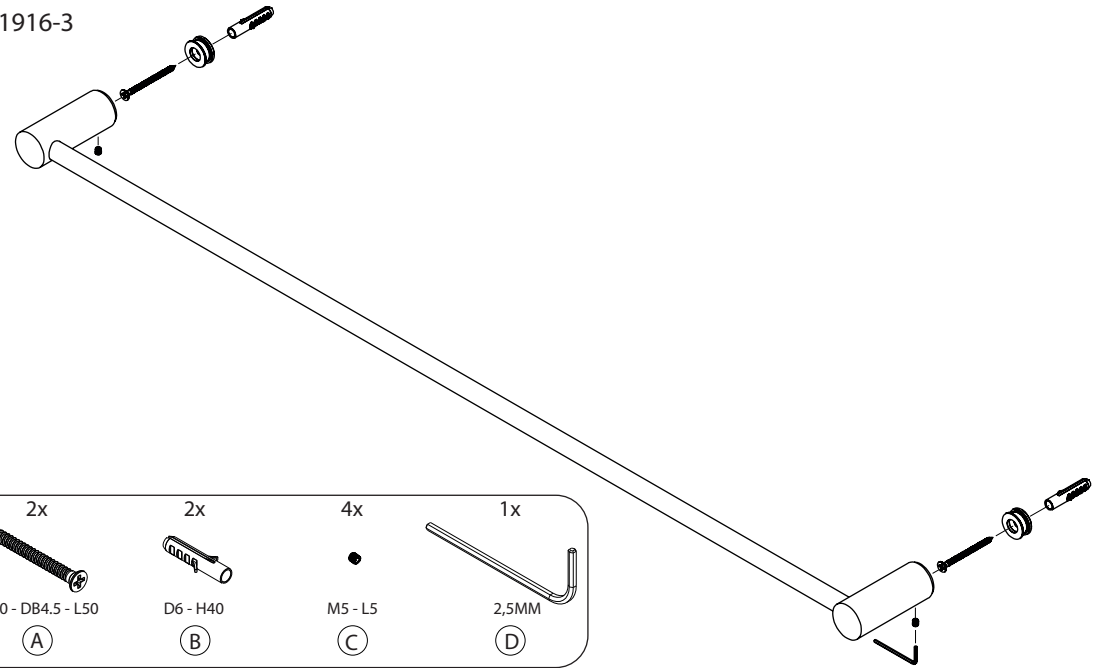
2



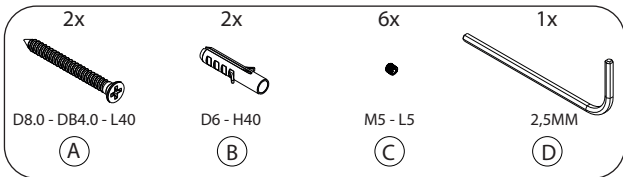
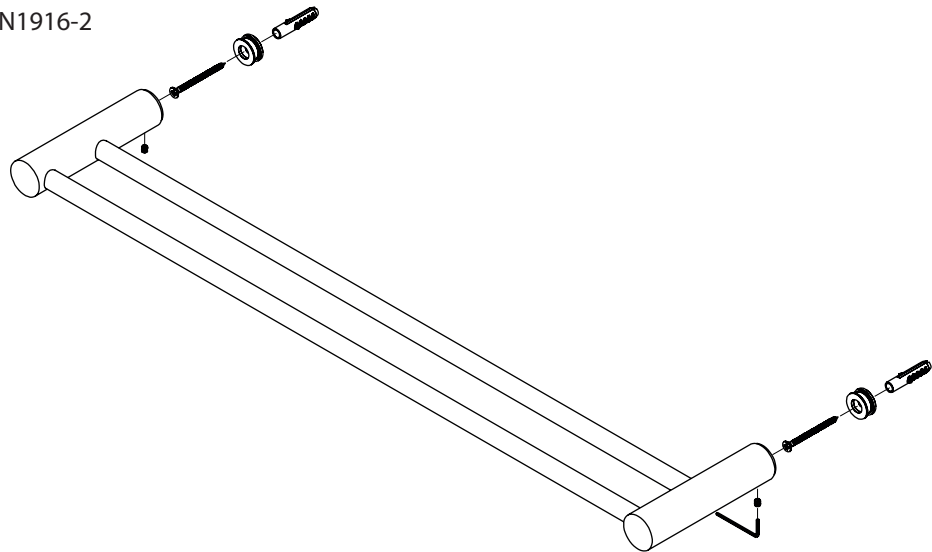
N1916-1



N1916-3



N1916-2



N1916-4

