

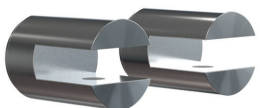
FROST

DENMARK

NOVA2 SHELF CLAMP

Fitting instruction
Montageanleitung
Monteringsvejledning
Monteringsvægledning
Montage hanleiding
Manuel de montage

N1933



Exclusion of liability

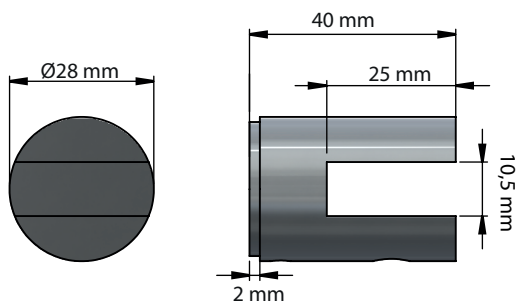
FROST accepts no liability whatsoever for damage to persons or property that occurs or has occurred as a result of improper installation or maintenance, particularly if the safety instructions and other points to note listed are not or have not been observed in full.

Warning and hazard notices

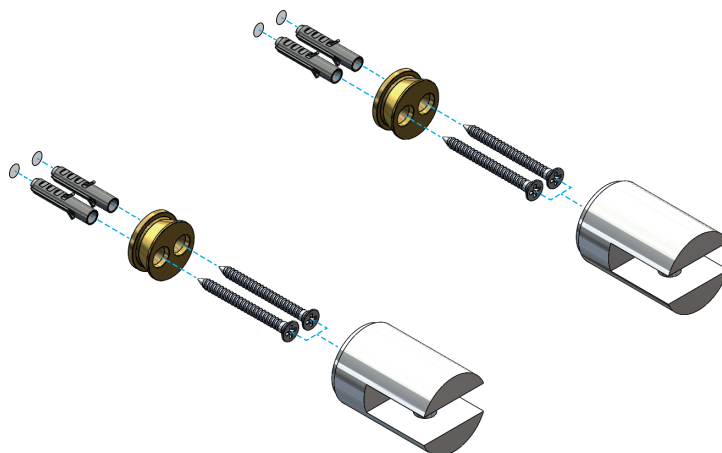
Improper mounting or use can lead to accidents and serious injuries.

N1933
2 pcs. a set

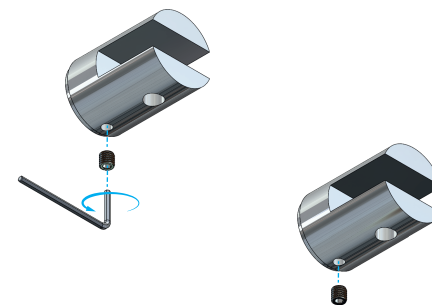
Shelf Thickness: 6 - 10 mm



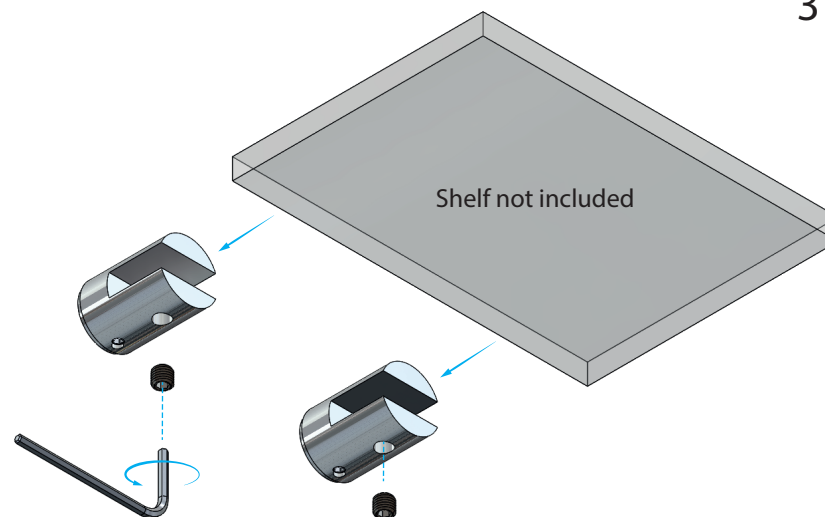
1



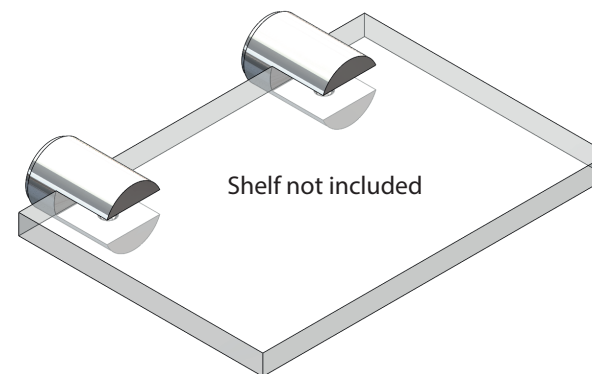
2



3



4



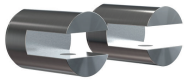
1

FROST
DENMARK

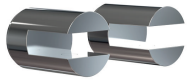
Bavne Allé 32
DK-8370 Hadsten
+45 8761 0032
info@frost.dk

www.frostdenmark.com

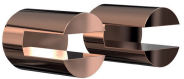
N1933
Brushed



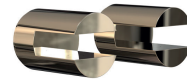
O1933
Polished



N1933-C
Polished Copper



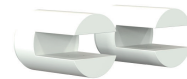
N1933-GO
Polished Gold



N1933-B
Matt Black

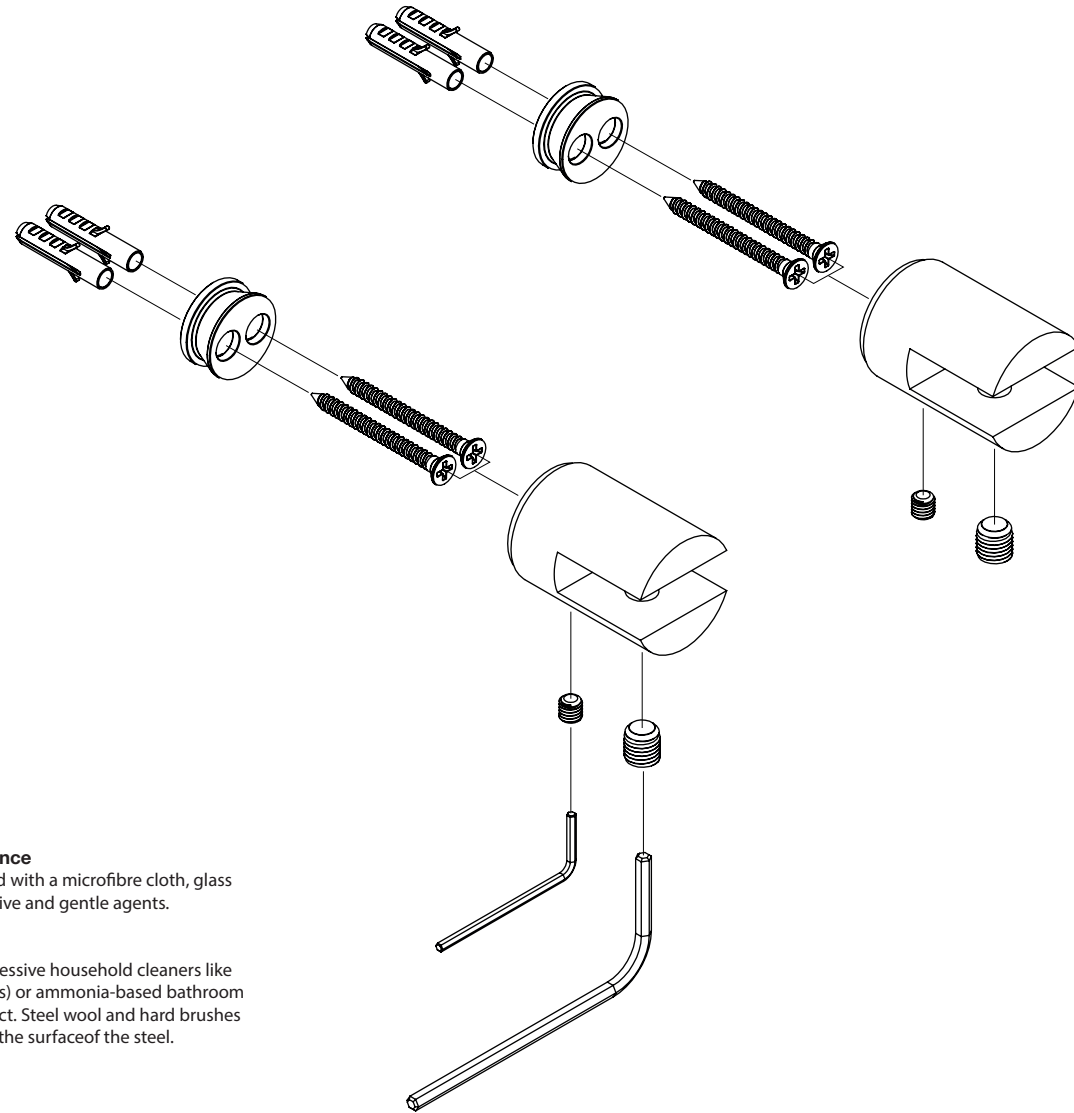


N1933-W
Matt White



Material: Stainless steel, AISI 304
Design: Bønnelycke mdd
Manufacturer: FROST A/S

SHELF CLAMP



Cleaning and maintenance

Surfaces should be cleaned with a microfibre cloth, glass cleaner or other non abrasive and gentle agents.

Attention:

Never use solvents or aggressive household cleaners like bleach, acids (e.g. descalers) or ammonia-based bathroom cleaner to clean the product. Steel wool and hard brushes can permanently damage the surface of the steel.

