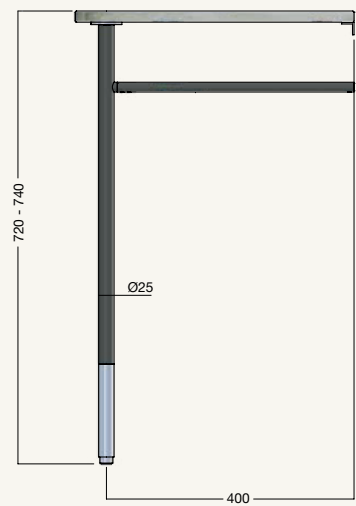
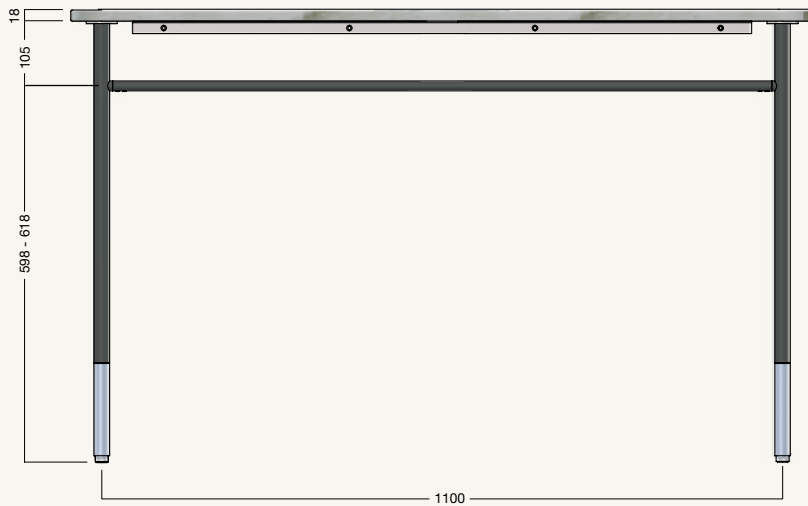
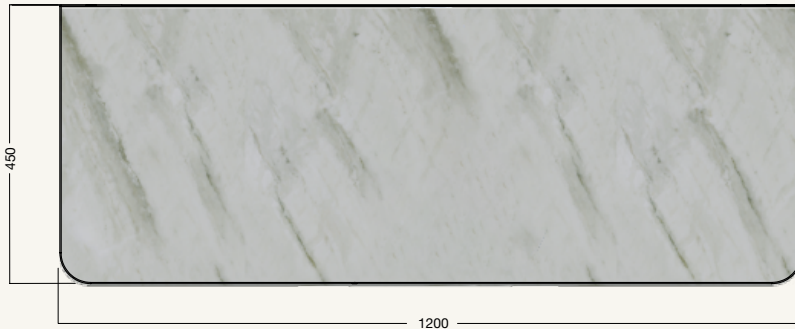


FROST
DENMARK

CONSOLE TABLE SET 1085, 2085 & 3085

DESIGNED BY BØNNELYCKE MDD

PRODUCT DETAILS, TECHNICAL DETAILS
AND FITTING INSTRUCTIONS



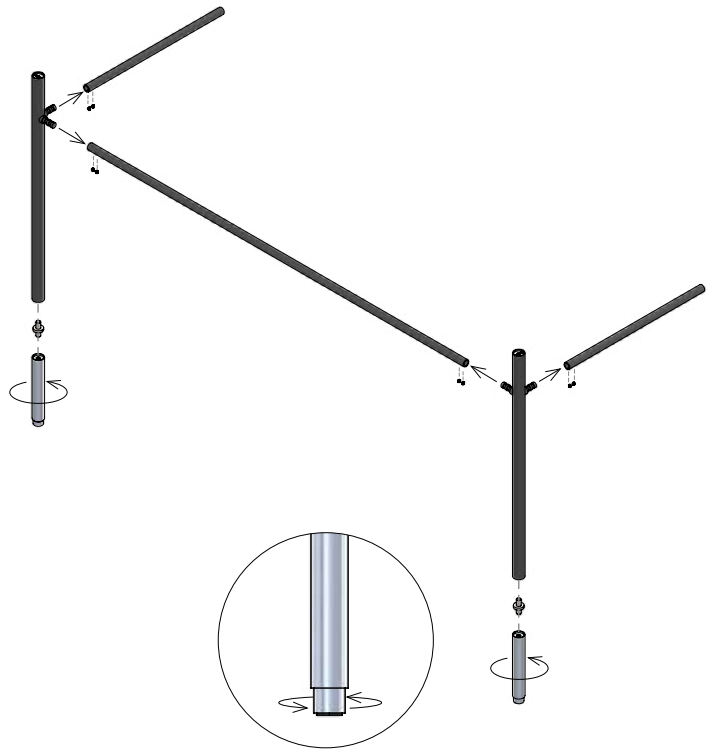
MATERIAL: STAINLESS STEEL & NATURAL STONE
SET INCLUDING: CONSOLE LEGS & COUNTERTOP
AVAILABLE IN COMBINATIONS OF THE FROST FINISHES

ASSEMBLING THE CONSOLE LEGS

- 1 Assemble the Console by connecting all the bars as illustrated, ensuring that all joints are properly aligned. Tighten all the set screws with the 2,5 mm hex key only lightly at first, so adjustments can still be made until the frame stands straight and stable.

The Console includes adjustable feet, so make sure to adjust these if needed to achieve a stable installation.

*Included in the box, but not to be used for this setup:
two triangular mounting brackets and four M6×30 bolts.



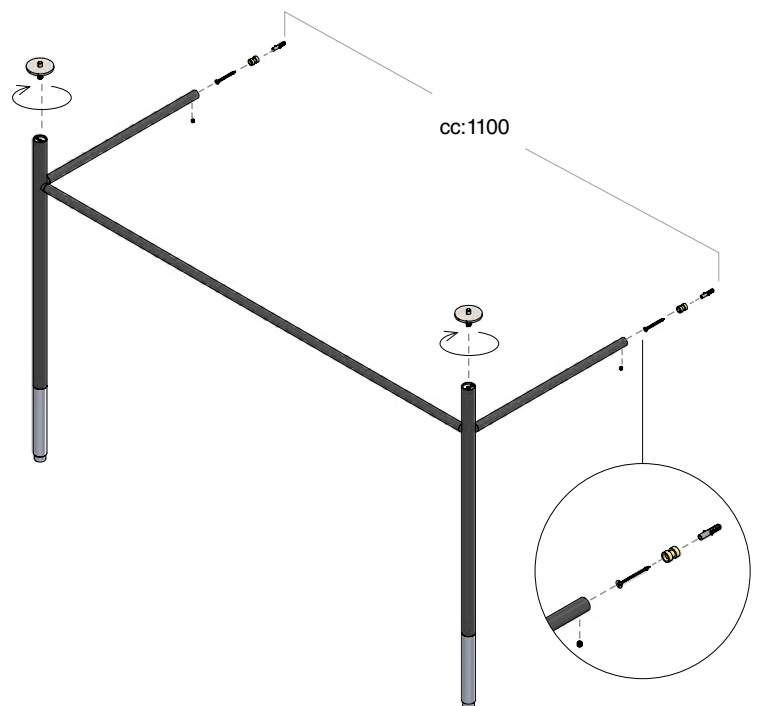
MOUNTING OF CONSOLE LEGS ON THE WALL

- 2 Position the assembled Console against the wall at the desired height. Use the two horizontal bars as reference points to mark the drilling positions on the wall.

Drill the holes with a 6 mm drill bit and insert two $\text{Ø}6 \times 30$ wall plugs. Fasten the brass inserts to the wall using the two enclosed $\text{Ø}4 \times 50$ screws using a Phillips screwdriver with a PH2 bit. Lift the Console back into position onto the two brass inserts and secure it with the set screws using the 2.5 mm hex key.

Before fully tightening all the set screws, verify that the Console is level and correctly aligned by adjusting the feet.

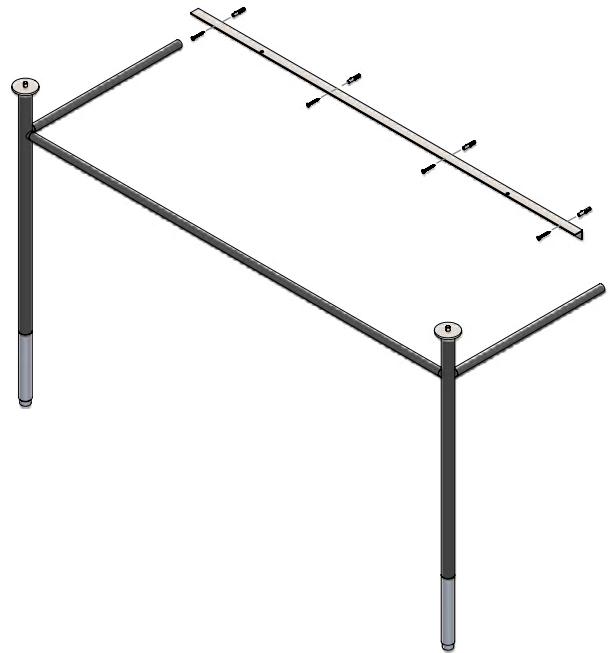
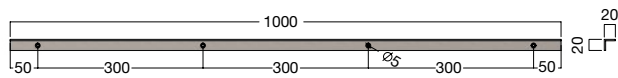
Make sure to screw in the two M8 center bolts as illustrated prior to mounting the countertop.



- 3 Install the support bracket for the Countertop by using four enclosed $\text{\O}6 \times 30$ wall plugs and four $\text{\O}4 \times 30$ screws as illustrated.

Use a laser level to mark the height of the support bracket before installation.

Support bracket measurements:



MOUNTING OF COUNTERTOP

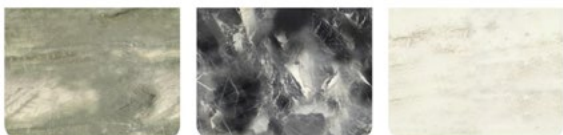
- 4 Carefully place the Countertop onto the center bolts and the support bracket, ensuring that the holes in both the bracket and the Countertop align. Use the two enclosed $\text{M}5 \times 12$ bolts to secure the Countertop as illustrated.

Please use a screwdriver to secure the bolts.

COUNTERTOP INFORMATION

The Countertops come in three natural stone variations: Forest Green, Van Gogh Grey, and Oriental White. As a natural material, colour, veining, and surface texture will vary. Each piece is unique, and minor irregularities are not considered defects.

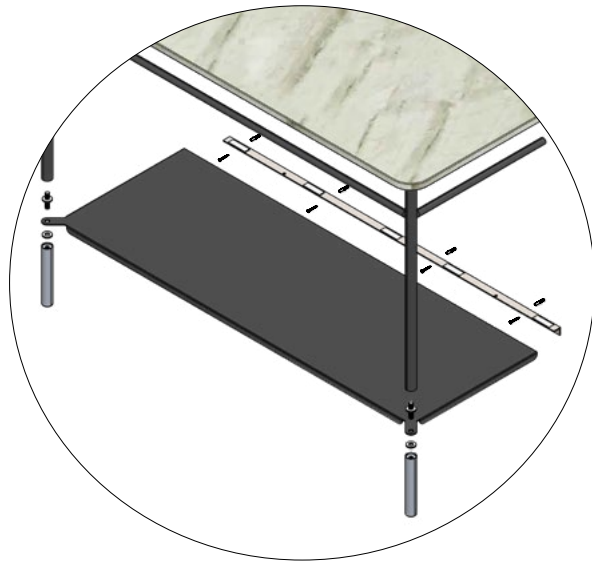
For daily cleaning, use warm water and mild soap.
For stubborn stains, a stone cleaner is recommended.
To protect the surface from grease and liquids, apply a neutral impregnator before use.



- 8 The Wash Table Set is now ready for use.

ADDITIONAL SHELF 1944-1000

Shelf 1944-1000 can be bought separately for extra storage space for toiletries, towels, and other everyday bathroom items.



FINISH OVERVIEW

CONSOLE TABLE SET 3085

Oriental White tabletop & console legs

Natural stone / Stainless Steel
Design: Bønnelycke MDD



Matt Black / Brushed Stainless
T3085-BB



Matt Black / Brushed Copper
T3085-BBOC



Matt Black / Brushed Gold
T3085-BBMG



Matt Black / Brushed Black
T3085-BBCB



Matt White / Brushed Stainless
T3085-BW



Matt White / Brushed Copper
T3085-WBOC



Matt White / Brushed Gold
T3085-WBMG



Matt White / Polished Stainless
T3085-PW

CONSOLE TABLE SET 2085

Van Gogh Grey tabletop & console legs

Natural stone / Stainless Steel
Design: Bønnelycke MDD



Matt Black / Brushed Stainless
T2085-BB



Matt Black / Brushed Copper
T2085-BBOC



Matt Black / Brushed Gold
T2085-BBMG



Matt Black / Brushed Black
T2085-BBCB



Matt White / Brushed Stainless
T2085-BW



Matt White / Brushed Copper
T2085-WBOC



Matt White / Brushed Gold
T2085-WBMG



Matt White / Polished Stainless
T2085-PW

CONSOLE TABLE SET 1085

Forest Green tabletop & console legs

Natural stone / Stainless Steel
Design: Bønnelycke MDD



Matt Black / Brushed Stainless
T1085-BB



Matt Black / Brushed Copper
T1085-BBOC



Matt Black / Brushed Gold
T1085-BBMG



Matt Black / Brushed Black
T1085-BBCB



Matt White / Brushed Stainless
T1085-BW



Matt White / Brushed Copper
T1085-WBOC



Matt White / Brushed Gold
T1085-WBMG



Matt White / Polished Stainless
T1085-PW





CLEANING AND MAINTENANCE

Surfaces should be cleaned with a microfiber cloth, glass cleaner or other non abrasive and gentle agents.

ATTENTION:

Never use solvents or aggressive household cleaners like bleach, acids (e.g. descalers) or ammonia-based bathroom cleaner to clean the product. Steel wool and hard brushes can permanently damage the surface of the steel.

EXCLUSION OF LIABILITY

FROST accepts no liability whatsoever for damage to persons or property that occurs or has occurred as a result of improper installation or maintenance, particularly if the safety instructions and other points to note listed are not or have not been observed in full.

WARNING AND HAZARD NOTICES

Improper mounting or use can lead to accidents and serious injuries.

www.frostdenmark.com

Bavne Alle 32, 8370 Hadsten, Denmark

E-mail: info@frost.dk • Phone: (+45) 87 61 00 32

We are also to be found as frostdenmark on Facebook,
Instagram, Pinterest and LinkedIn

