

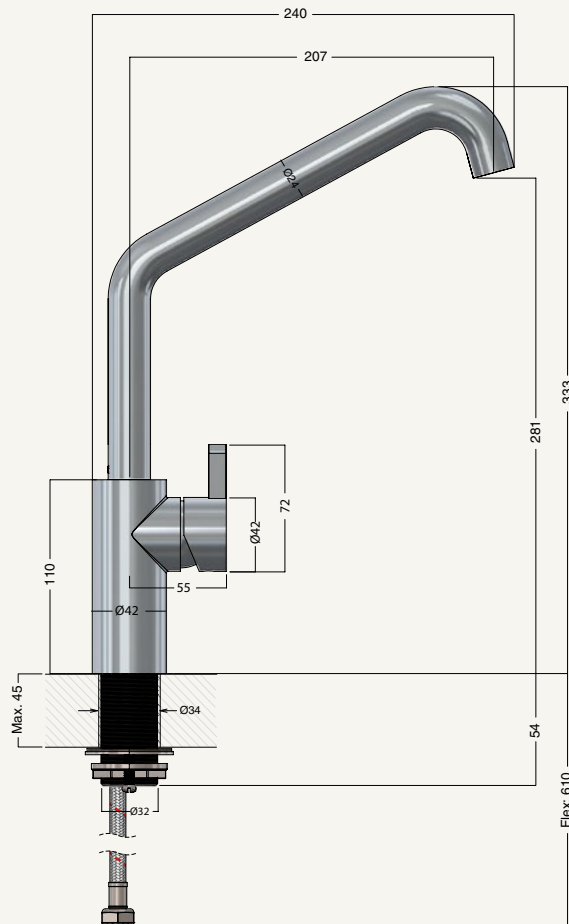
FROST

DENMARK

BASIN MIXER TAP 1993




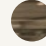


DESIGNED BY BØNNELYCKE MDD

PRODUCT DETAILS, TECHNICAL DETAILS
AND FITTING INSTRUCTIONS



MATERIAL: STAINLESS STEEL

AVAILABLE IN THE NINE FROST FINISHES:

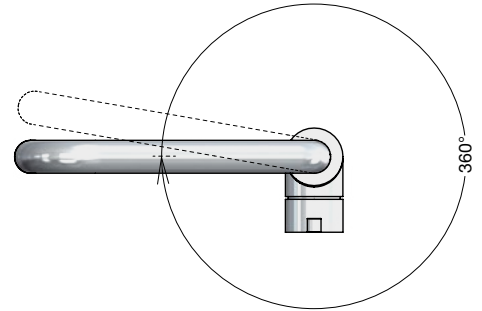
- | | | | | | | | | |
|---|---|---|---|---|---|---|---|---|
|  |  |  |  |  |  |  |  |  |
| F1993 BRUSHED STAINLESS | F1993-P POLISHED STAINLESS | F1993-BOC BRUSHED COPPER | F1993-C POLISHED COPPER | F1993-BMG BRUSHED GOLD | F1993-GO POLISHED GOLD | F1993-BCB BRUSHED BLACK | F1993-B MATT BLACK | F1993-W MATT WHITE |



BEFORE MOUNTING

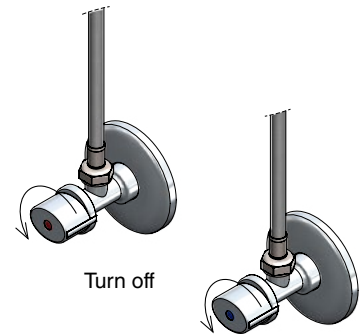
- 1 Decide where to place the mixer tap **(A)**. The spout can rotate 360°, allowing for different orientations of the handle. We recommend placing it on the right side, as illustrated in this mounting instruction.

Also note the placement of the inlet hoses for warm and cold water before installing.



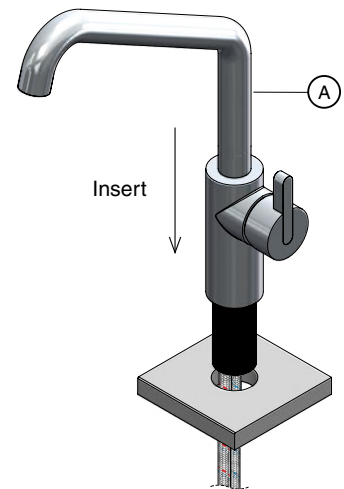
- 2 If replacing an old tap, turn off the water supply at the valves and drain any remaining water from the hoses into a bucket.

Remove the old tap.



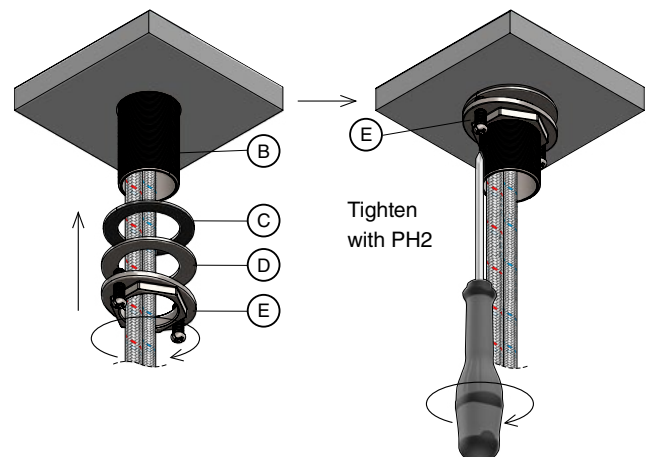
MOUNTING

- 1 Insert the new Mixer Tap **(A)** into the hole in the sink or countertop.



- 2 Slide the NBR washer **(C)** and stainless steel washer **(D)** onto the threaded sleeve **(B)**, then screw on the fixing nut **(E)** while holding the tap in place.

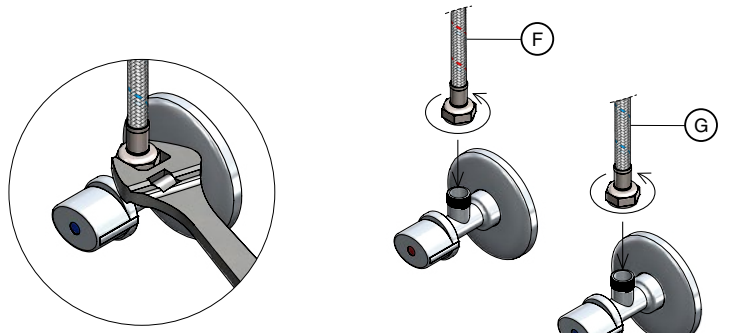
Use a PH2 screwdriver to tighten the two screws on the fixing nut **(E)** for extra stability.



3

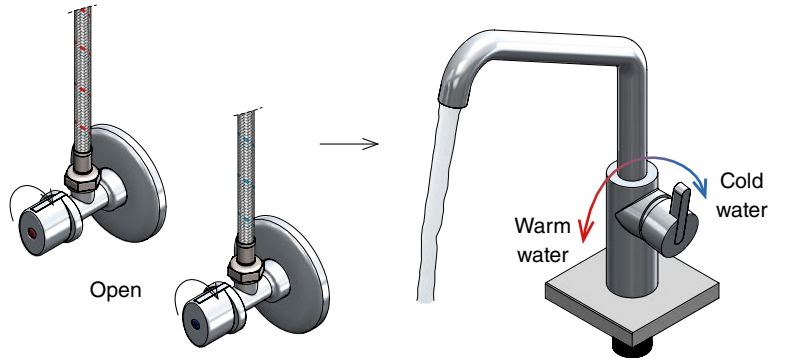
Connect the red-marked inlet hose (F) to the hot water valve and the blue-marked inlet hose (G) to the cold water valve under the sink.

Tighten securely with a wrench.



4

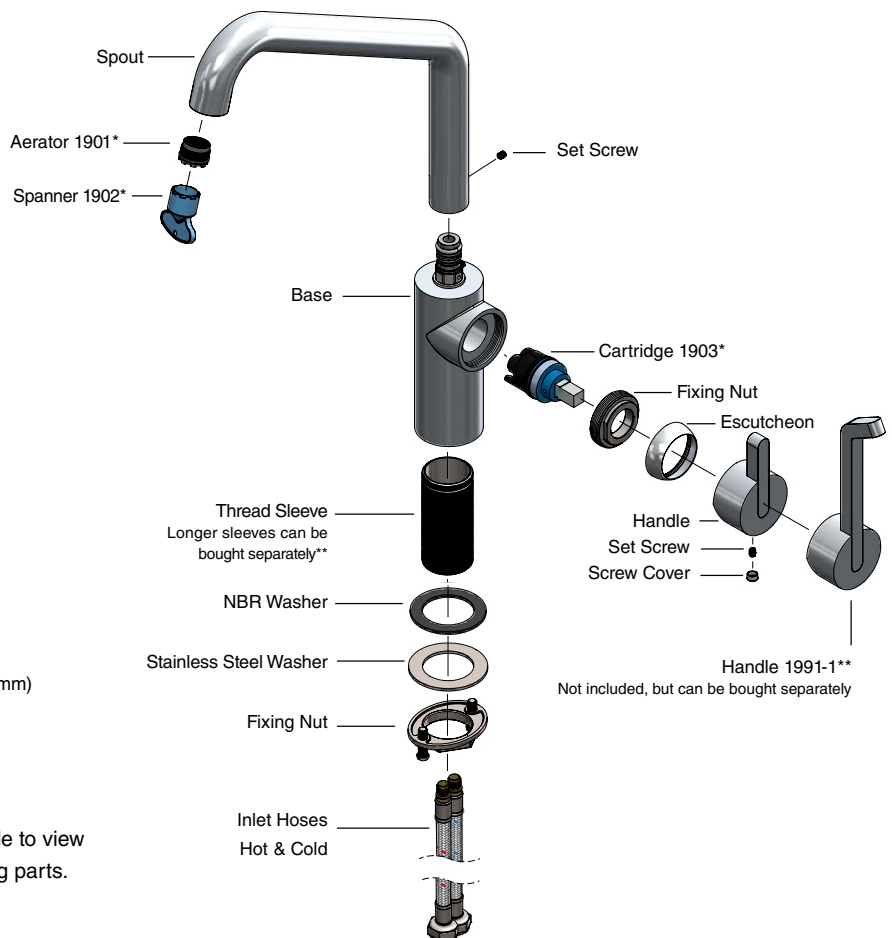
Turn on the water supply, check for leaks and retighten if needed. Once leak free, your mixer tap is ready for use.



TECHNICAL INFORMATION

1

| | |
|--------------------------|-------------|
| Working Pressure | 1-5 bar |
| Max. hot water | 65 °C |
| Flow rate l/min at 3 bar | 13.5 - 15.0 |



Spare parts (*)

Can be bought for replacement

Aerator 1901

Spanner 1902

Cartridge 1903

Additional parts (**)

Bought separately

Thread Sleeve 1904-80, 80 mm

Thread Sleeve 1904-100, 100 mm

Handle 1991-1 (H: 138 mm, W: 42 mm, P: 48 mm)



Scan or click the QR code to view video guides on replacing parts.

CLEANING AND MAINTENANCE

Surfaces should be cleaned with a microfiber cloth, glass cleaner or other non abrasive and gentle agents.

ATTENTION:

Never use solvents or aggressive household cleaners like bleach, acids (e.g. descalers) or ammonia-based bathroom cleaner to clean the product. Steel wool and hard brushes can permanently damage the surface of the steel.

EXCLUSION OF LIABILITY

FROST accepts no liability whatsoever for damage to persons or property that occurs or has occurred as a result of improper installation or maintenance, particularly if the safety instructions and other points to note listed are not or have not been observed in full.

WARNING AND HAZARD NOTICES

Improper mounting or use can lead to accidents and serious injuries.

Be sure to follow local building and plumbing regulations when installing the mixer tap.
Consult a professional if you are unsure.

www.frostdenmark.com

Bavne Alle 32, 8370 Hadsten, Denmark
E-mail: info@frost.dk • Phone: (+45) 87 61 00 32

We are also to be found as frostdenmark on Facebook,
Instagram, Pinterest and LinkedIn

