

FROST

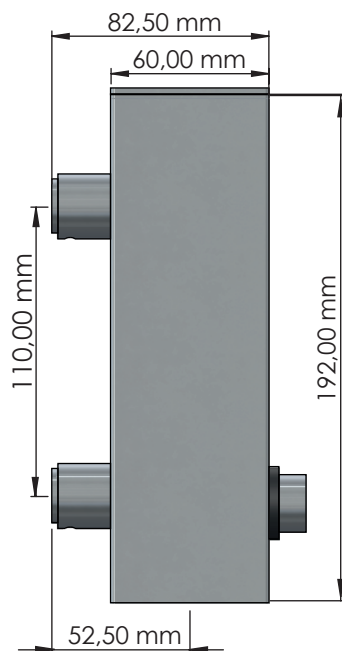
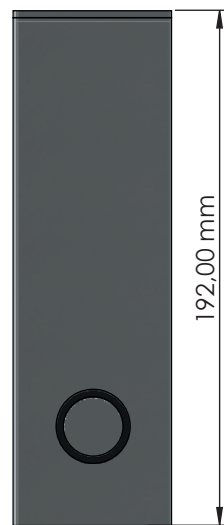
DENMARK

QUADRA SOAP DISPENSER 4

Fitting instruction
Montageanleitung
Monteringsvejledning
Monteringsvåglledning
Montage hanleiding
Manuel de montage



200 ml



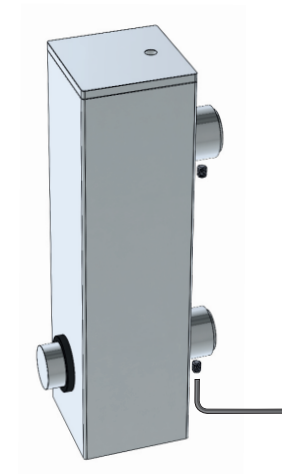
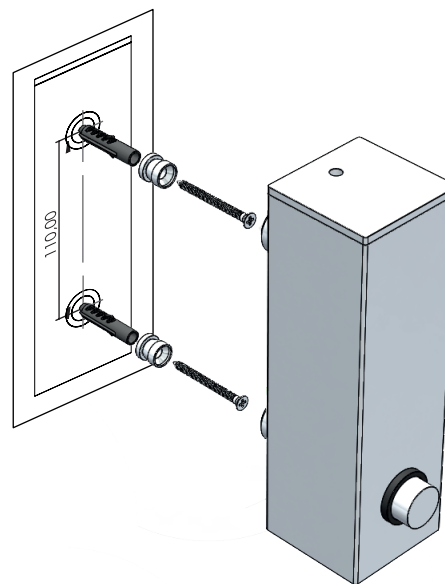
Exclusion of liability

FROST accepts no liability whatsoever for damage to persons or property that occurs or has occurred as a result of improper installation or maintenance, particularly if the safety instructions and other points to note listed are not or have not been observed in full.

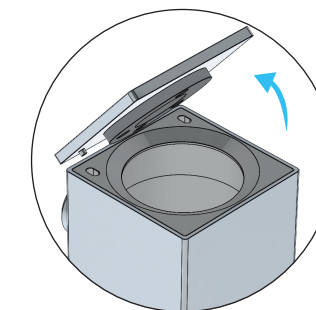
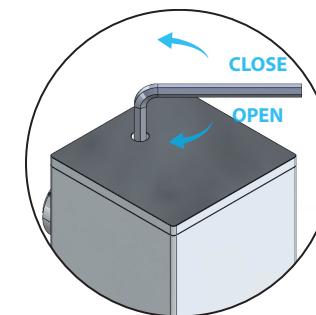
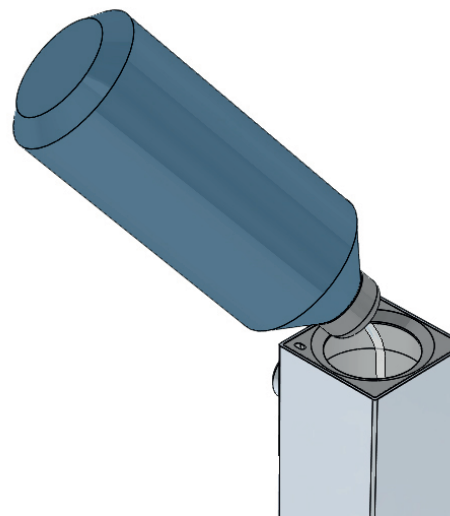
Warning and hazard notices

Improper mounting or use can lead to accidents and serious injuries.

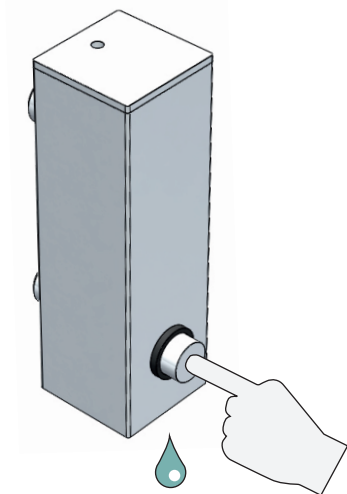
NOTE: Do not mount the dispenser in the shower.



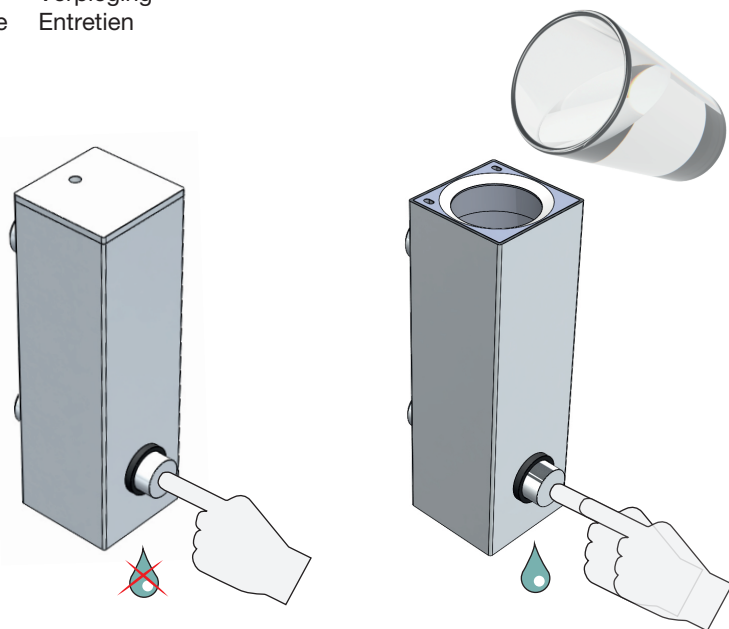
NOTE: Always use liquid with low viscosity, hence do not use shampoo, conditioner or shower gel etc.



Operating Buk
Bedienung Bedienung
Betjening Emploi



Maintenance Skötsel
Pflege Verpleging
Vedligeholdelse Entretien



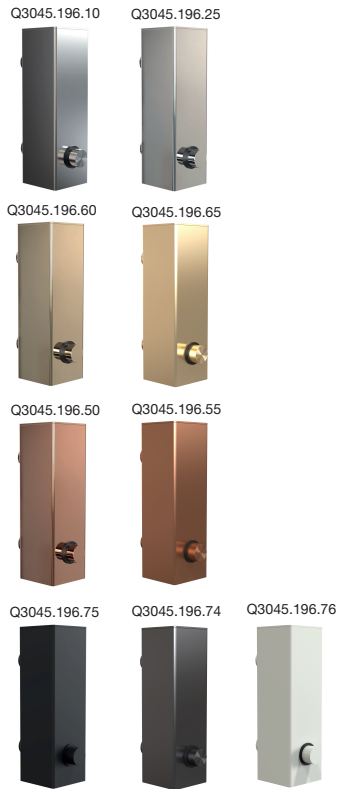
MAINTAINING THE DISPENSER

- If the dispenser is not used for a long period of time and becomes clogged.
- Pour **ONLY** warm water into the dispenser and gently pump it to clear the blockage.
- **NEVER** try inserting a sharp object e.g. pin into the soap nozzle, which could irreparably damage the pump and void the warranty.
- **ONLY** clean inside the dispenser with warm water.
- **NEVER** use solvents or aggressive household cleaners like bleach, acids (e.g. descalers) or ammonia-based bathroom cleaner.
- To clean the outside of the dispenser, use warm soapy water or approved stainless steel cleaners.
- Should brown deposits appear around the lid or pump, remove with a brush or pan cleaning pad and soapy water.
- Hard deposits can be scratched off with your fingernail or a blunt knife.
- It is not exactly rust, and to avoid it, try changing to a milder liquid soap with a neutral PH

FROST
DENMARK

Bavne Allé 32
DK-8370 Hadsten
+45 8761 0032
info@frost.dk

www.frostdenmark.com

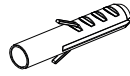


Material: Stainless steel, AISI 304
Design: Bønnelycke mdd
Manufacturer: FROST A/S

SOAP DISPENSER 4

(A)

2x



Ø8x40

(B)

2x



5x60

(C)

2x



M5x2,5

(D)

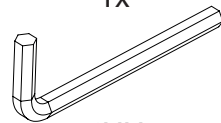
1x



2,5MM

(E)

1x



4MM

