

FROST
DENMARK

**NOVA2
MADAM CLAMP**

Fitting instruction

N1973



O1973



N1973-C



N1973-GO



N1973-B



N1973-W



Material: Stainless steel, AISI 304

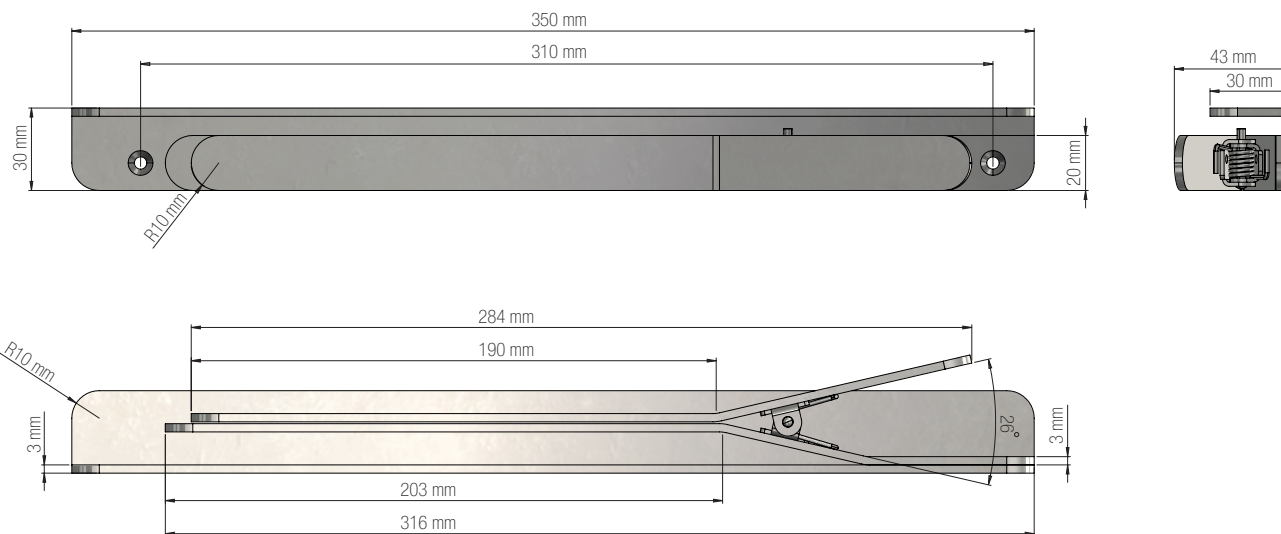
Design: Bønnelycke mdd.

Manufacturer: FROST A/S

Bavne Alle 32, DK-8370 Hadsten

www.frostdenmark.com

MADAM CLAMP



Exclusion of liability

FROST accepts no liability whatsoever for damage to persons or property that occurs or has occurred as a result of improper installation or maintenance, particularly if the safety instructions and other points to note listed are not or have not been observed in full.

Warning and hazard notices

Improper mounting or use can lead to accidents and serious injuries.

Cleaning and maintenance

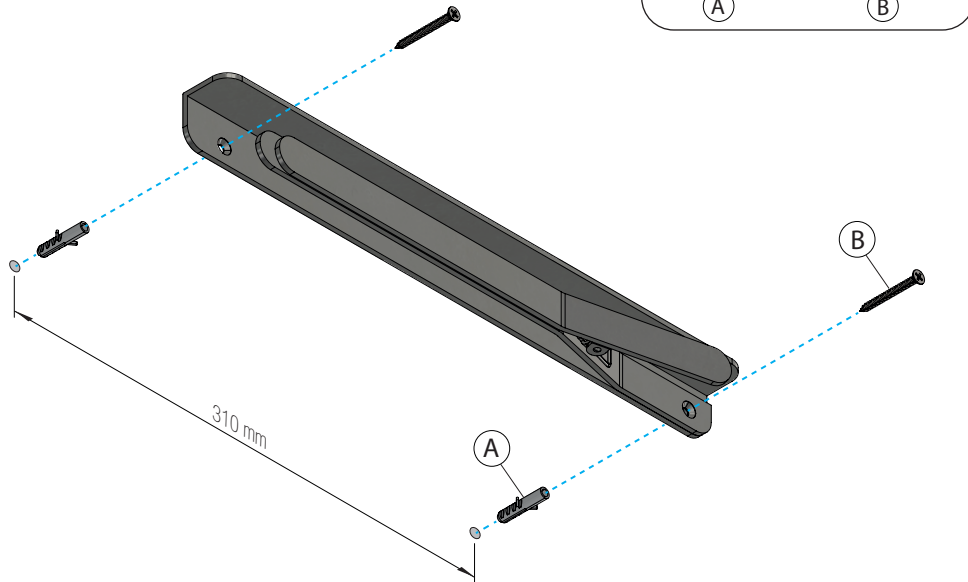
Stainless steel surfaces should be cleaned with a microfiber cloth, glass cleaner or other non abrasive and gentle agents.

Attention

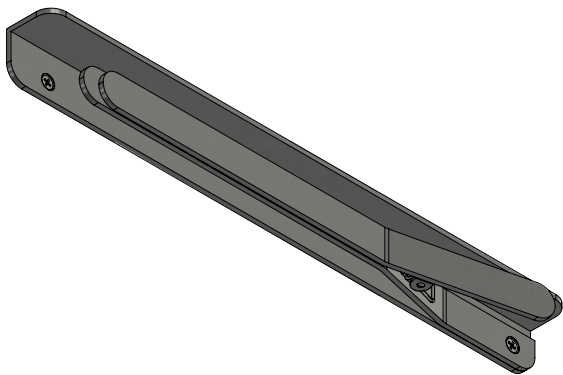
Never use solvents or aggressive household cleaners like bleach, acids (e.g. descalers) or ammonia-based bathroom cleaner to clean the product. Steel wool and hard brushes can permanently damage the surface of the steel.

FITTING INSTRUCTION

1.



2.



LINER

The Madam Clamp is delivered with 5 black liners.

Additional Liners can be purchased on www.frostdenmark.com N1973-Liner: 50 liners pr. roll

