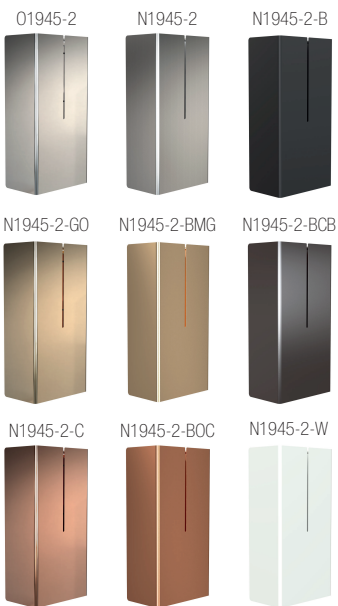


FROST

DENMARK

NOVA2 PAPER BIN 2

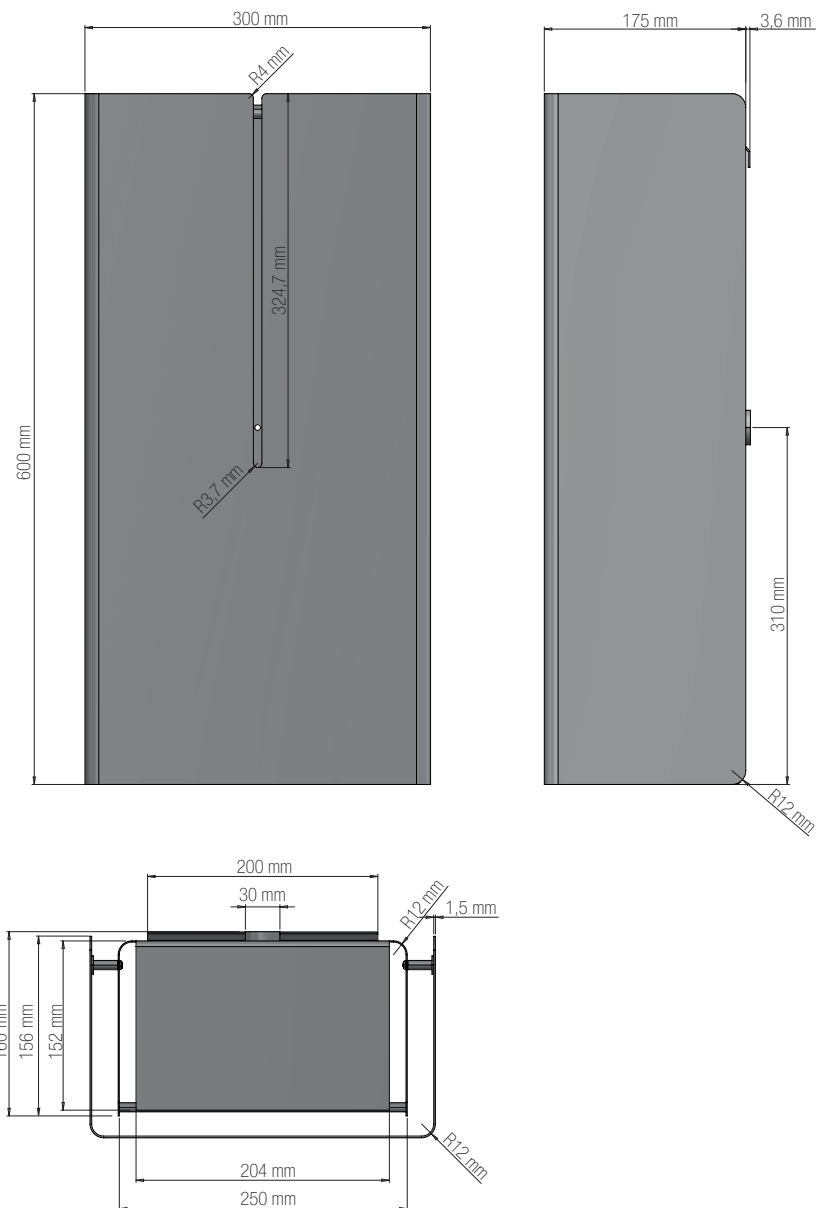
Fitting instruction



Material: Stainless steel, AISI 304
Design: Bønnelycke mdd.
Manufacturer: FROST A/S
FROST A/S
Bavne Allé 32, DK-8370 Hadsten
+45 8761 0032 info@frost.dk
www.frostdenmark.com

PAPER BIN 2, 21 liter

Suggested bag size:
600x850mm (21 litres)



Cleaning and maintenance

Stainless steel surfaces should be cleaned with a microfiber cloth, glass cleaner or other non abrasive and gentle agents.

Attention

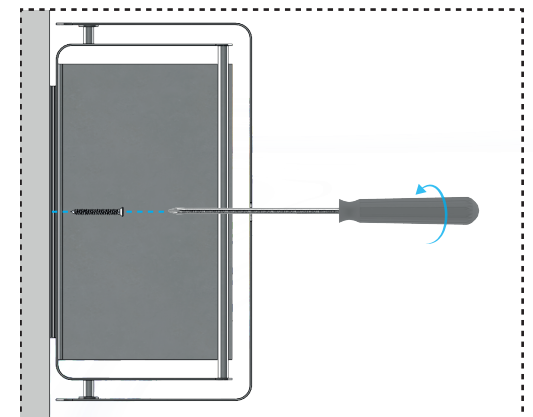
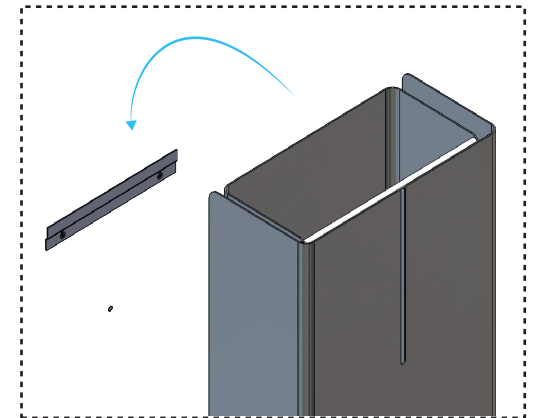
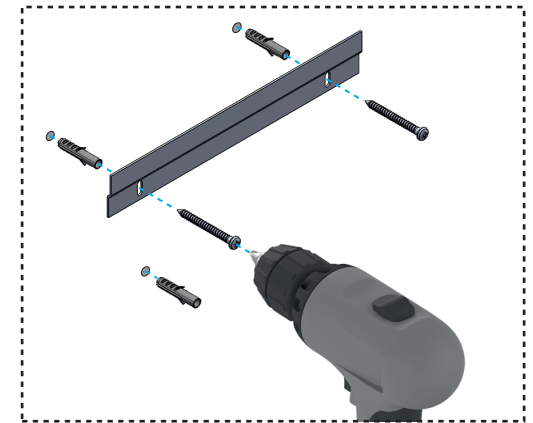
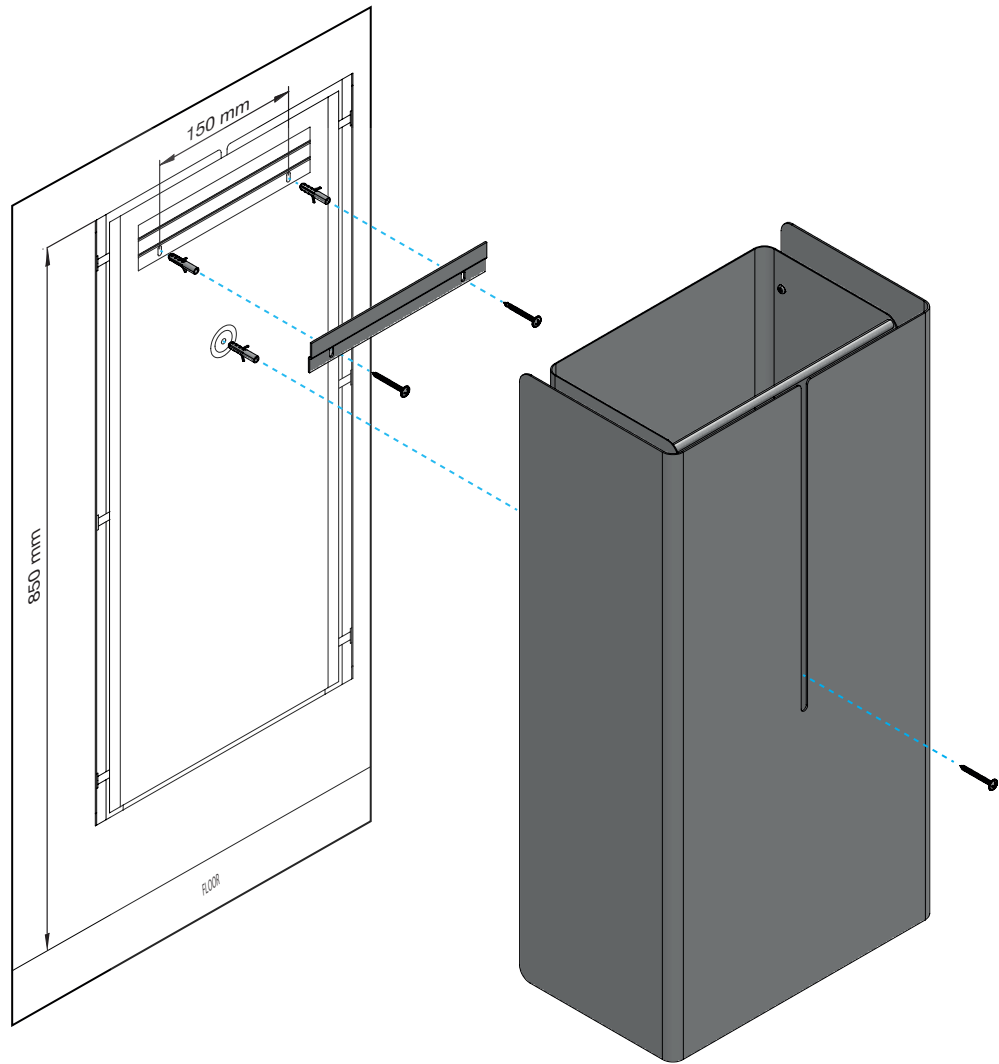
Never use solvents or aggressive household cleaners like bleach, acids (e.g. descalers) or ammonia-based bathroom cleaner to clean the product. Steel wool and hard brushes can permanently damage the surface of the steel.



Exclusion of liability

FROST accepts no liability whatsoever for damage to persons or property that occurs or has occurred as a result of improper installation or maintenance, particularly if the safety instructions and other points to note listed are not or have not been observed in full.

Warning and hazard notices

Improper mounting or use can lead to accidents and serious injuries.



- | | |
|---|---|
| 3x | 3x |
|  |  |
| Ø6x30 | ST4x40 |
| (A) | (B) |