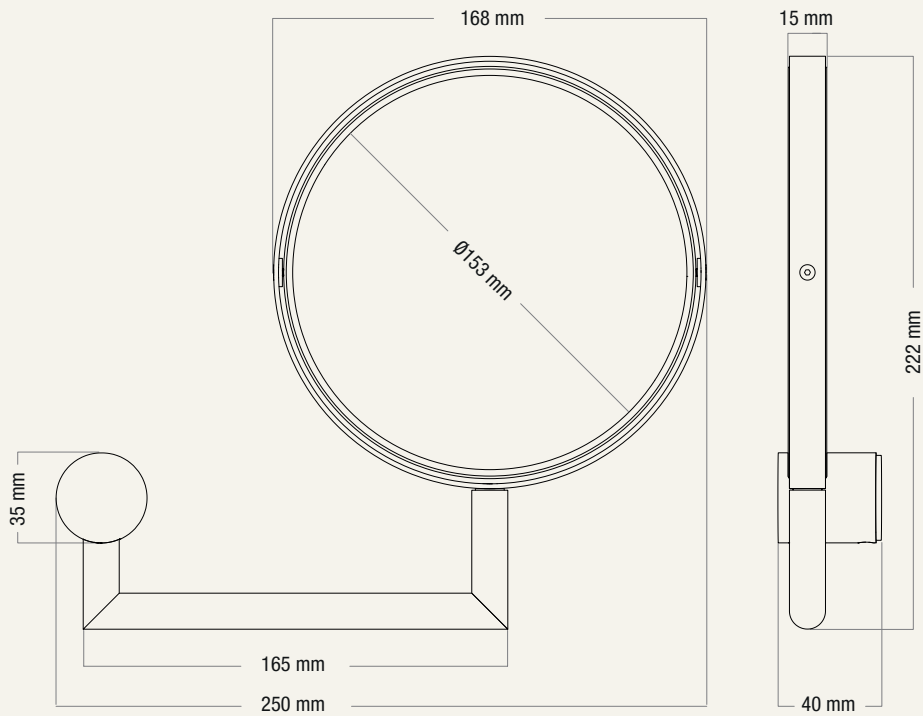


FROST
DENMARK

MAGNIFYING MIRROR 1942 F/ WALL (X5 ON ONE SIDE)


DESIGNED BY BØNNELYCKE MDD


PRODUCT DETAILS, TECHNICAL DETAILS
AND FITTING INSTRUCTIONS





MATERIAL: STAINLESS STEEL


AVAILABLE IN THE NINE FROST FINISHES:

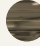

N1942
BRUSHED
STAINLESS



O1942
POLISHED
STAINLESS



N1942-BOC
BRUSHED
COPPER



N1942-C
POLISHED
COPPER


N1942-BMG
BRUSHED
GOLD


N1942-GO
POLISHED
GOLD


N1942-BCB
BRUSHED
BLACK


N1942-B
MATT
BLACK

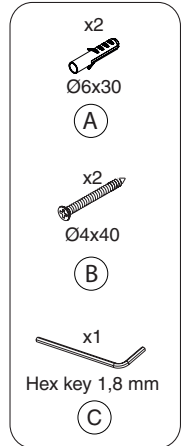
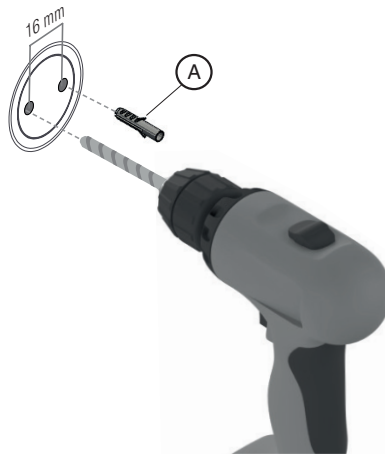

N1942-W
MATT
WHITE



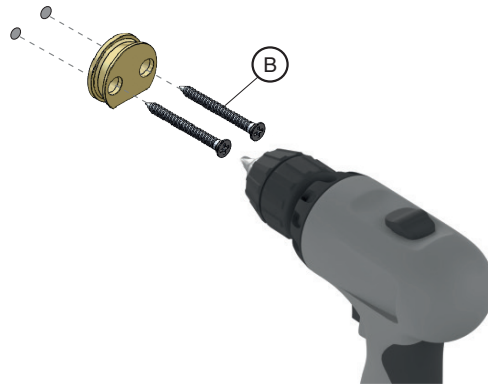
MOUNTING

- 1 Place the Magnifying Mirror in the desired position and mark the screw holes as illustrated, with a CC distance of 16 mm.

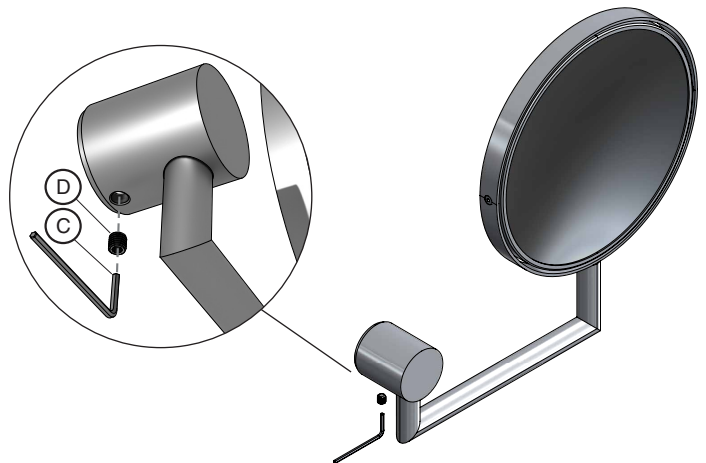
Drill the marked holes using a 6 mm drill bit and insert the enclosed $\text{\O}6 \times 30$ mm wall plugs (A).



- 2 Secure the brass insert on the wall with the enclosed $\text{\O}4 \times 40$ mm screws (B) and use a Phillips screwdriver with bit PH2 to tighten the screws.



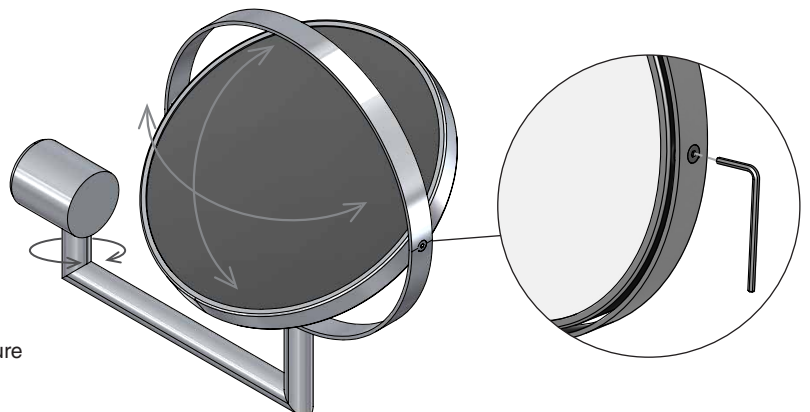
- 3 Press the Magnifying Mirror on to the insert. Securely tighten the set screw (D) underneath with the 1,8 mm hex key (C).



- 4 The Magnifying Mirror is now ready for use. One side of the mirror provides 5x magnification, while the other side functions as a standard mirror.

You can freely adjust both the mirror arm and the mirror head to achieve the preferred position for use.

If needed, you can tighten or loosen the joints with a 2,5 mm hex key to adjust the resistance and ensure smooth rotation.



CLEANING AND MAINTENANCE

Surfaces should be cleaned with a microfiber cloth, glass cleaner or other non abrasive and gentle agents.

ATTENTION:

Never use solvents or aggressive household cleaners like bleach, acids (e.g. descalers) or ammonia-based bathroom cleaner to clean the product. Steel wool and hard brushes can permanently damage the surface of the steel.

EXCLUSION OF LIABILITY

FROST accepts no liability whatsoever for damage to persons or property that occurs or has occurred as a result of improper installation or maintenance, particularly if the safety instructions and other points to note listed are not or have not been observed in full.

WARNING AND HAZARD NOTICES

Improper mounting or use can lead to accidents and serious injuries.

www.frostdenmark.com

Bavne Alle 32, 8370 Hadsten, Denmark

E-mail: info@frost.dk • Phone: (+45) 87 61 00 32

We are also to be found as frostdenmark on Facebook,
Instagram, Pinterest and LinkedIn

