

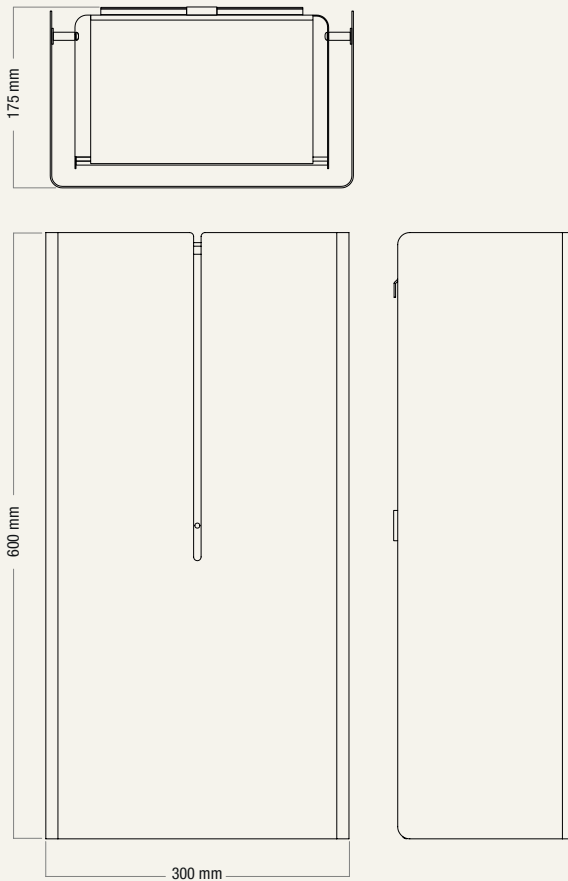
FROST

DENMARK

PAPER BIN 1945-2

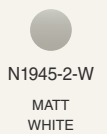
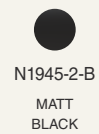
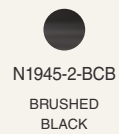
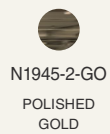
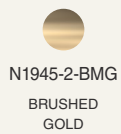
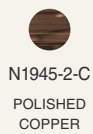
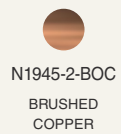
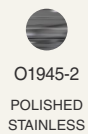
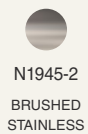
DESIGNED BY BØNNELYCKE MDD

PRODUCT DETAILS, TECHNICAL DETAILS
AND FITTING INSTRUCTIONS



MATERIAL: STAINLESS STEEL

AVAILABLE IN THE NINE FROST FINISHES:

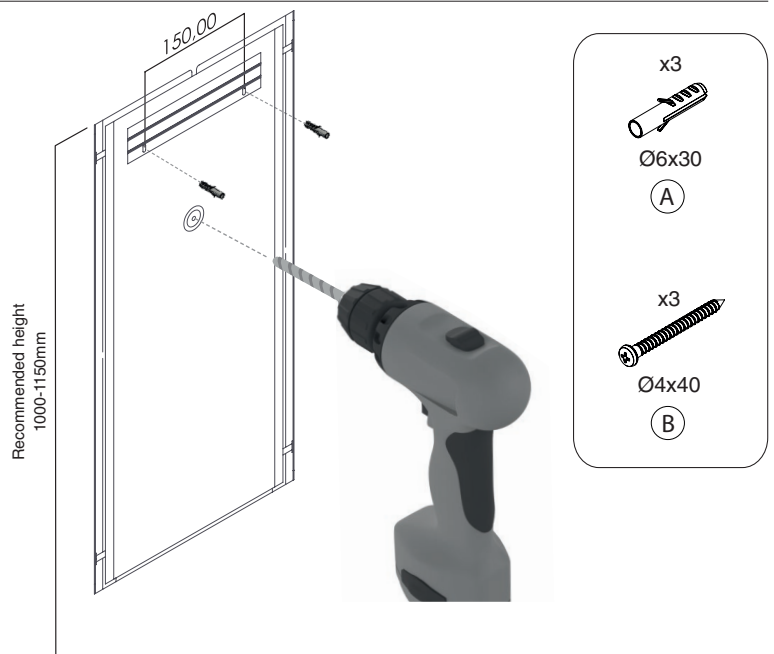


MOUNTING OF N1945-2

- 1 Place the Paper Bin in the desired position and mark the screw holes as illustrated.

Drill the marked holes using a 6 mm drill bit and insert the enclosed $\text{\O}6 \times 30$ mm wall plugs (A).

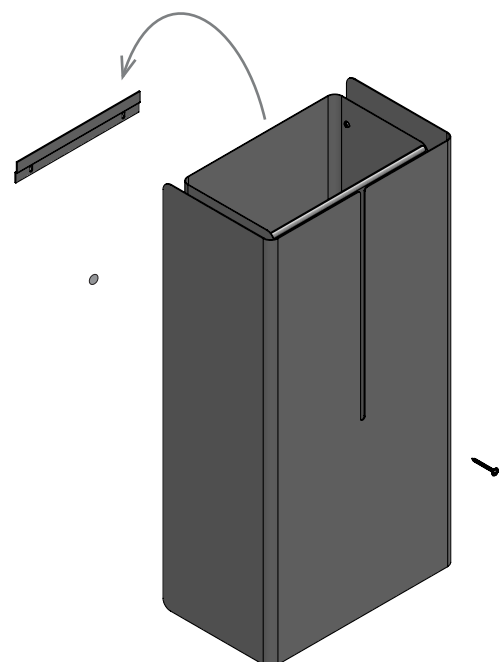
Our recommended mounting height for the Paper Bin is 1000-1150 mm.



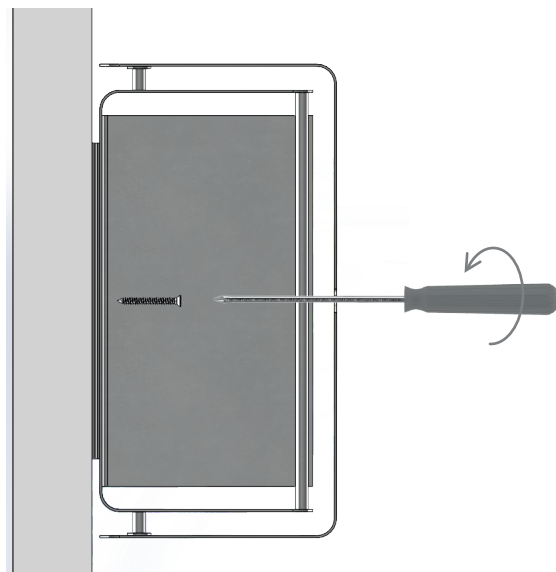
- 2 Secure the loose bracket to the wall with the enclosed $\text{\O}4 \times 40$ mm screws (B) and use a Phillips screwdriver with bit PH2 to tighten the screws.



- 3 Place the Paper Bin onto the mounted bracket. Ensure the bottom hole aligns with the screw hole on the Paper Bin.



- ④ Use the remaining 4x40 mm screw ③ and use a screwdriver with bit PH2 to fully secure the Paper Bin to the wall.

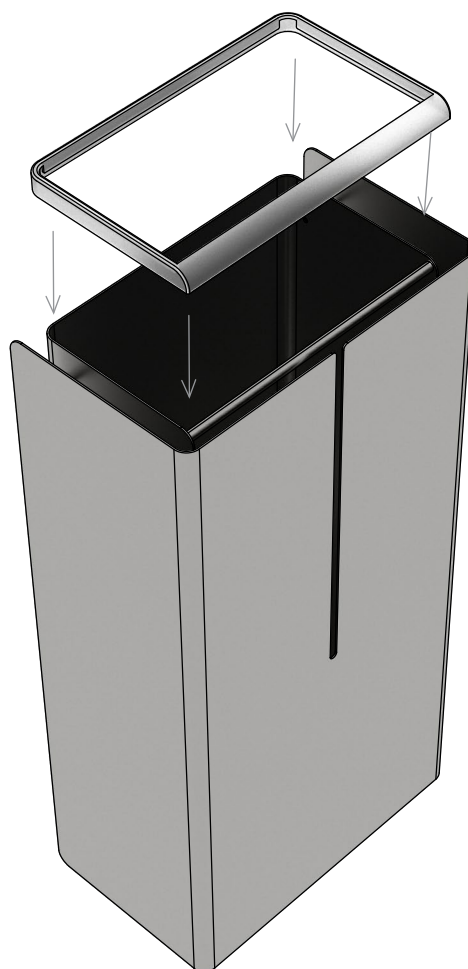


ADDITIONAL PLASTIC RING

- ⓘ The Paper Bin 1945-2 can be equipped with a Plastic Ring 1945-2-Ring to help keep the waste bag securely in place

Fold the edge of the plastic bag over the inner rim of the Paper Bin.

Press the plastic frame down onto the inner rim, securing the bag between the bin and the frame. The frame will hold the bag firmly in place during use.



CLEANING AND MAINTENANCE

Surfaces should be cleaned with a microfiber cloth, glass cleaner or other non abrasive and gentle agents.

ATTENTION:

Never use solvents or aggressive household cleaners like bleach, acids (e.g. descalers) or ammonia-based bathroom cleaner to clean the product. Steel wool and hard brushes can permanently damage the surface of the steel.

EXCLUSION OF LIABILITY

FROST accepts no liability whatsoever for damage to persons or property that occurs or has occurred as a result of improper installation or maintenance, particularly if the safety instructions and other points to note listed are not or have not been observed in full.

WARNING AND HAZARD NOTICES

Improper mounting or use can lead to accidents and serious injuries.

www.frostdenmark.com

Bavne Alle 32, 8370 Hadsten, Denmark

E-mail: info@frost.dk • Phone: (+45) 87 61 00 32

We are also to be found as frostdenmark on Facebook,
Instagram, Pinterest and LinkedIn

