

FROST
DENMARK

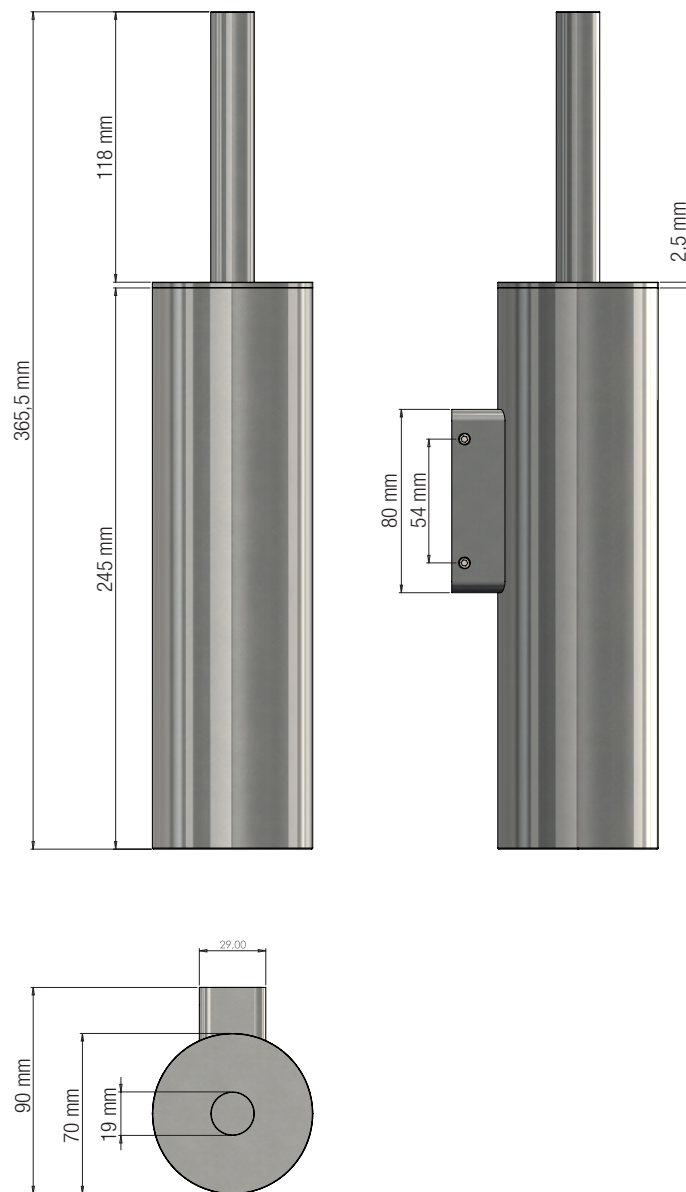
NOVA2
TOILET BRUSH 10, wall

Fitting instruction

N1971



TOILET BRUSH 10, wall



Exclusion of liability

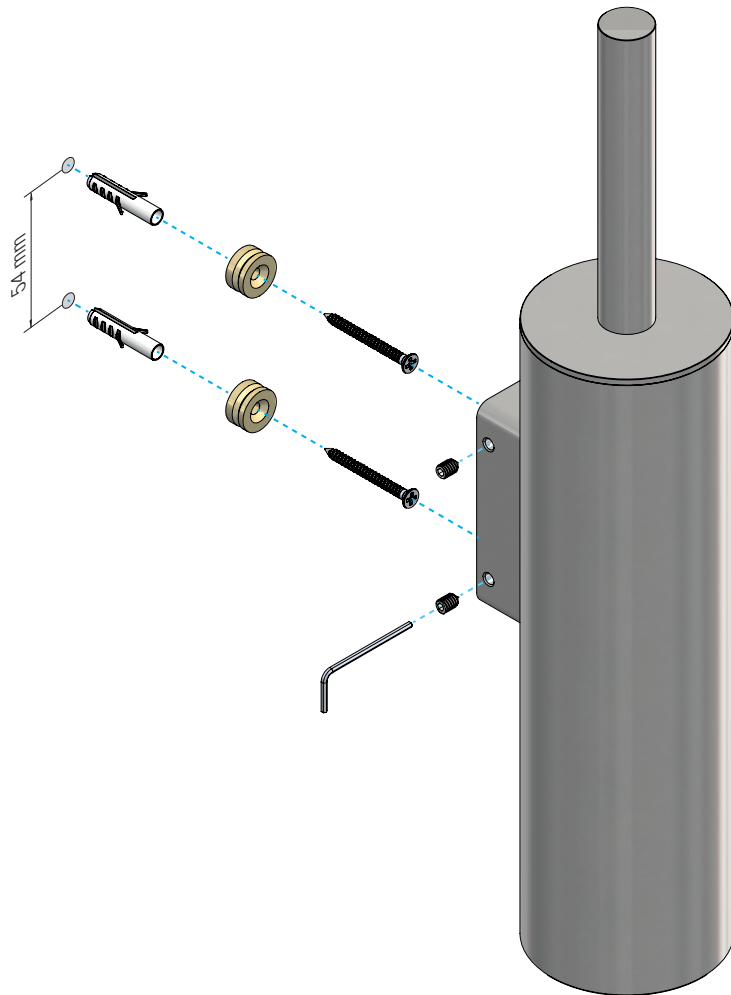
FROST accepts no liability whatsoever for damage to persons or property that occurs or has occurred as a result of improper installation or maintenance, particularly if the safety instructions and other points to note listed are not or have not been observed in full.

Warning and hazard notices

Improper mounting or use can lead to accidents and serious injuries.

Material: Stainless steel, AISI 304
Design: Bønnelycke mdd.
Manufacturer: FROST A/S

FITTING INSTRUCTION



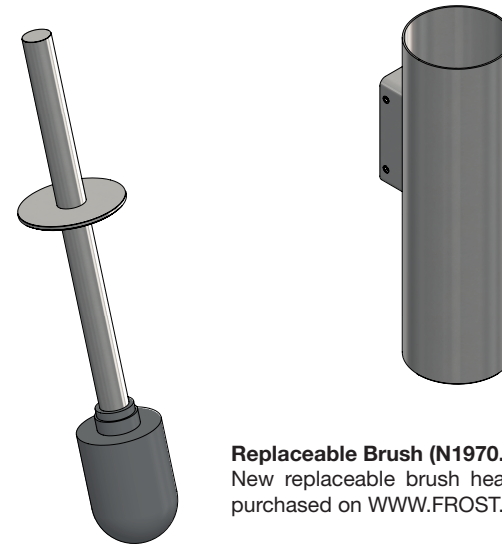
MAINTENANCE

Cleaning and maintenance

Stainless steel surfaces should be cleaned with a microfiber cloth, glass cleaner or other non abrasive and gentle agents.

Attention

Never use solvents or aggressive household cleaners like bleach, acids (e.g. descalers) or ammonia-based bathroom cleaner to clean the product. Steel wool and hard brushes can permanently damage the surface of the steel.



Replaceable Brush (N1970.res.o)

New replaceable brush heads can be purchased on WWW.FROST.DK

FROST
DENMARK

Bavne Allé 32
DK-8370 Hadsten
+45 8761 0032
info@frost.dk

www.frostdenmark.com

01971



N1971



N1971-C



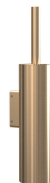
N1971-BOC



N1971-GO



N1971-BMG



N1971-B



N1971-BOC



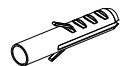
N1971-W



TOILET BRUSH 10, wall

(A)

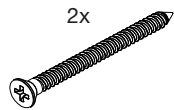
2x



Ø6x30

(B)

2x



ST4x40

(C)

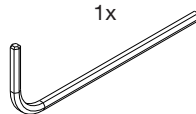
2x



M5

(D)

1x



2,5 mm

