

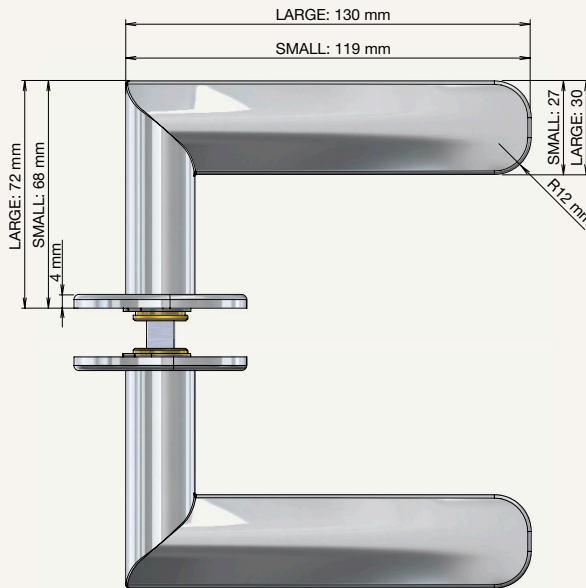
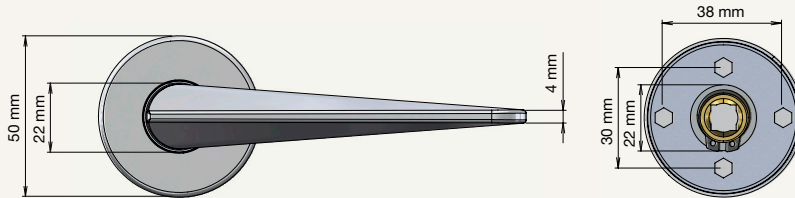
# FROST

DENMARK

## LEVER HANDLE HB102 LARGE (A1008SS) LEVER HANDLE HB102 SMALL (A1008S)









DESIGNED BY BØNNELYCKE MDD

PRODUCT DETAILS, TECHNICAL DETAILS  
AND FITTING INSTRUCTIONS





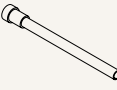



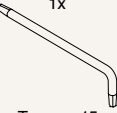
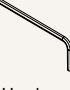

MATERIAL: STAINLESS STEEL AISI 304

AVAILABLE IN EIGHT FROST FINISHES:

							
A1008SSB A1008SB BRUSHED STAINLESS	A1008SSP A1008SP POLISHED STAINLESS	A1008SSBOC A1008SBOC BRUSHED COPPER	A1008SSC A1008SC POLISHED COPPER	A1008SSBMG A1008SBMG BRUSHED GOLD	A1008SSGO A1008SGO POLISHED GOLD	A1008SSBCB A1008SBCB BRUSHED BLACK	A1008SSBS A1008SBS MATT BLACK



FIXINGS IN THE BOX

- |  |  |   |   |  |
|--|--|---|---|--|
| <p>(A)</p> <p>1x</p>  <p>Spindle:<br/>90 mm</p>           | <p>(B)</p> <p>2x</p>  <p>Sleeve:<br/>Ø5x20 mm</p> | <p>(C)</p> <p>2x</p>  <p>Plastic tub plug</p>  | <p>(D1)</p> <p>2x</p>  <p>Machine screw:<br/>M4x62 mm break off</p> | <p>(D2)</p> <p>2x</p>  <p>Machine screw:<br/>M4x35 mm</p> |
| <p>(D3)</p> <p>4x</p>  <p>Wood screw:<br/>ST4,5x16 mm</p> | <p>(E)</p> <p>1x</p>  <p>Torx no. 15</p>          | <p>(F)</p> <p>2x</p>  <p>Hex key:<br/>2 mm</p> | <p>(G)</p> <p>2x</p>  <p>Rose key</p>                              |  |

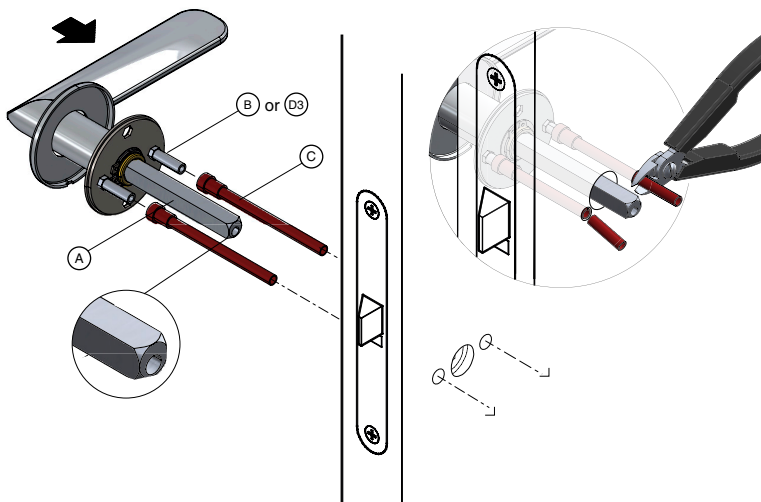
## MOUNTING OF LEVER HANDLE

Insert two sleeves (B) or wood screws (D3) into the backplate with the spindle (A) attached.

1

**NOTE:** The two enclosed plastic tub plugs (C) can be used to secure the screws and obtain a tighter fit. If used; cut off the excess part of the plastic tub plug (C).

**NOTE:** Make sure that the spindle (A) is oriented correctly, as shown in the illustrations, with the hole closest to the bottom.

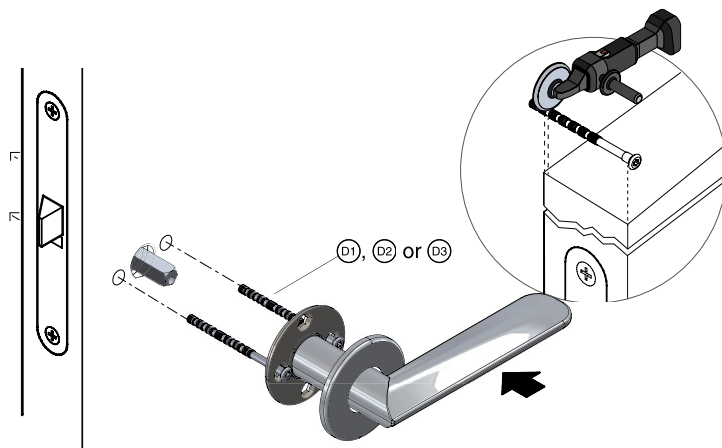


Mount the other handle by using (D1), (D2) or (D3)

2

If used; cut the machine screw (D1) with an angle grinder so its length matches the thickness of the door minus 1 mm.

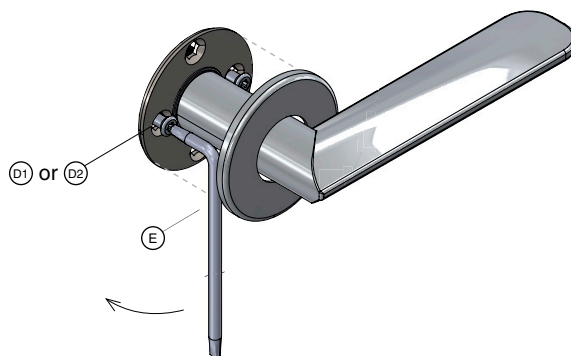
**NOTE:** Door thickness: 40-69 mm



Use the enclosed torx key no. 15 (E) to tighten the machine screw (D1) or (D2) until fastened.

3

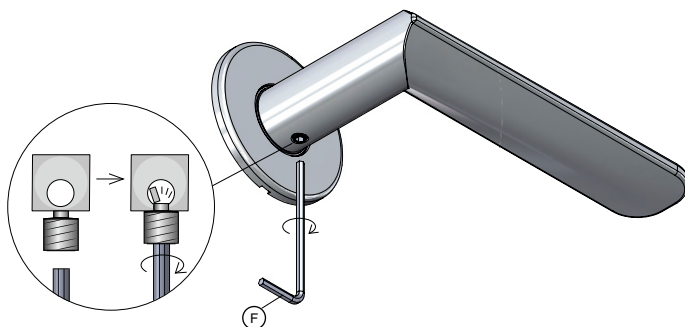
Click the rosette cover onto the backplate.



Secure the handle on the spindle (A), by using the hex key (F) to tighten the set screw. When the set screw is tightened enough, a guide hole is punched into the spindle.

4

**NOTE:** For detaching the rosette cover, insert the rose key (G) in the notch underneath the rosette cover.



#### **CLEANING AND MAINTENANCE**

Surfaces should be cleaned with a microfiber cloth, glass cleaner or other non abrasive and gentle agents.

#### **ATTENTION:**

Never use solvents or aggressive household cleaners like bleach, acids (e.g. descalers) or ammonia-based bathroom cleaner to clean the product. Steel wool and hard brushes can permanently damage the surface of the steel.

#### **EXCLUSION OF LIABILITY**

FROST accepts no liability whatsoever for damage to persons or property that occurs or has occurred as a result of improper installation or maintenance, particularly if the safety instructions and other points to note listed are not or have not been observed in full.

#### **WARNING AND HAZARD NOTICES**

Improper mounting or use can lead to accidents and serious injuries.

#### **[www.frostdenmark.com](http://www.frostdenmark.com)**

Bavne Alle 32, 8370 Hadsten, Denmark

E-mail: [info@frost.dk](mailto:info@frost.dk) • Phone: (+45) 87 61 00 32

We are also to be found as frostdenmark on Facebook,  
Instagram, Pinterest and LinkedIn

