

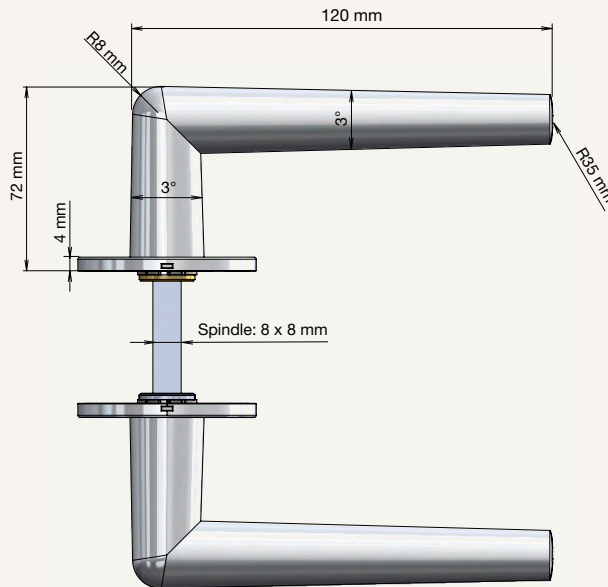
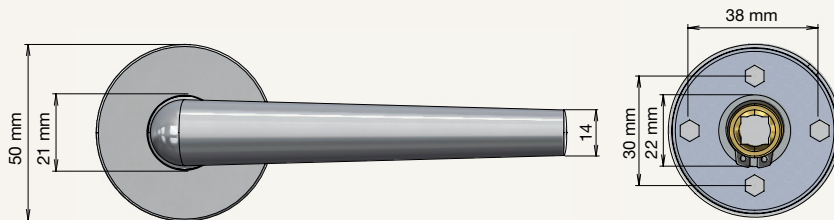
FROST

DENMARK

HB102 (A1010)

DESIGNED BY BØNNELYCKE MDD

PRODUCT DETAILS, TECHNICAL DETAILS
AND FITTING INSTRUCTIONS



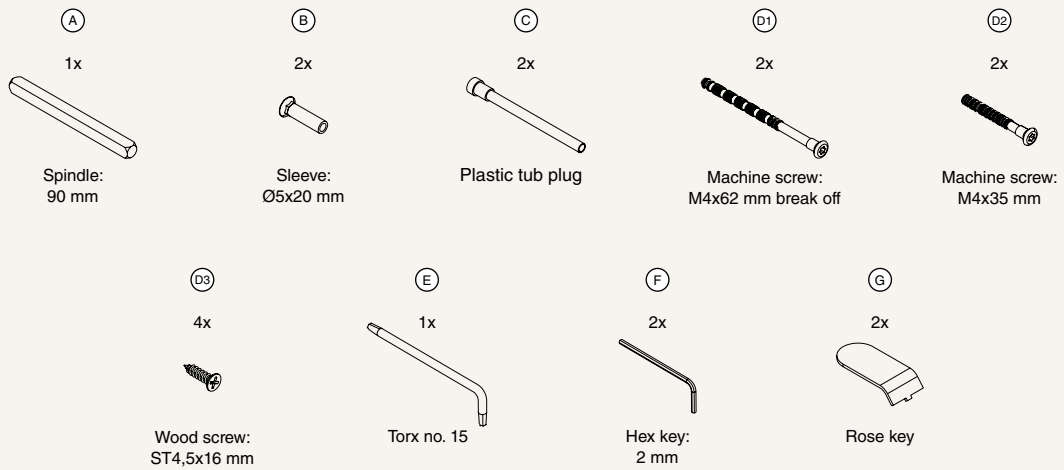
MATERIAL: STAINLESS STEEL AISI 304

AVAILABLE IN EIGHT FROST FINISHES:





FIXINGS IN THE BOX



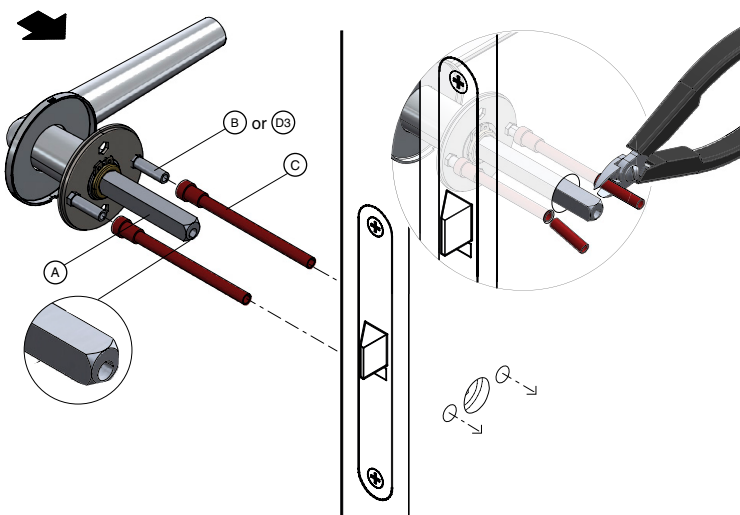
MOUNTING OF A1010

Insert two sleeves (B) or wood screws (D3) into the backplate with the spindle (A) attached.

1

NOTE: The two enclosed plastic tub plugs (C) can be used to secure the screws and obtain a tighter fit. If used; cut off the excess part of the plastic tub plug (C).

NOTE: Make sure that the spindle (A) is oriented correctly, as shown in the illustrations, with the hole closest to the bottom.

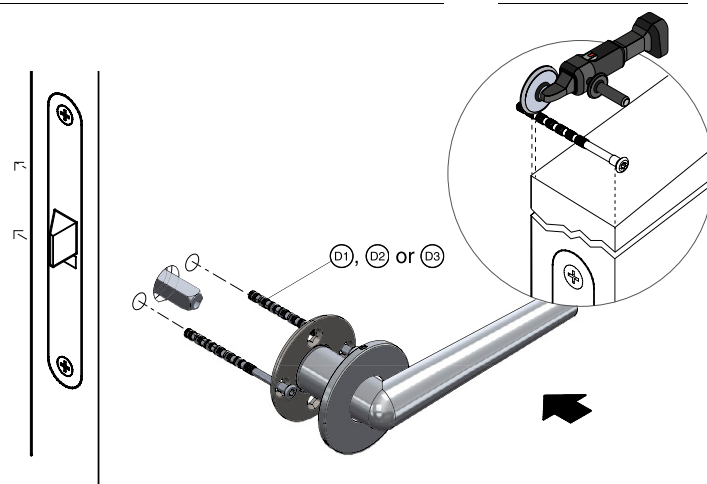


Mount the other handle by using (D1), (D2) or (D3)

2

If used; cut the machine screw (D1) with an angle grinder so its length matches the thickness of the door minus 1 mm.

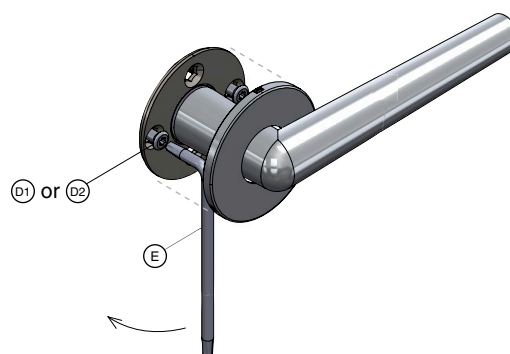
NOTE: Door thickness: 40-69 mm



Use the enclosed torx key no. 15 (E) to tighten the machine screw (D1) or (D2) until fastened.

3

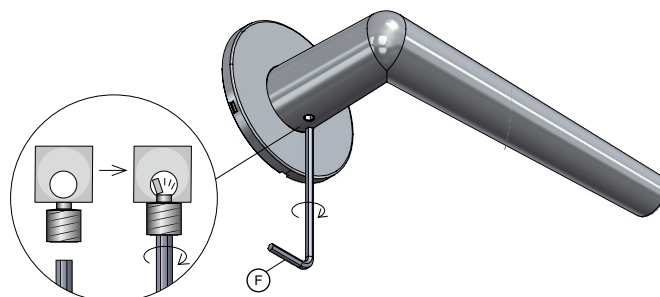
Click the rosette cover onto the backplate.



Secure the handle on the spindle (A), by using the hex key (F) to tighten the set screw. When the set screw is tightened enough, a guide hole is punched into the spindle.

4

NOTE: For detaching the rosette cover, insert the rose key (G) in the notch underneath the rosette cover.



CLEANING AND MAINTENANCE

Surfaces should be cleaned with a microfiber cloth, glass cleaner or other non abrasive and gentle agents.

ATTENTION:

Never use solvents or aggressive household cleaners like bleach, acids (e.g. descalers) or ammonia-based bathroom cleaner to clean the product. Steel wool and hard brushes can permanently damage the surface of the steel.

EXCLUSION OF LIABILITY

FROST accepts no liability whatsoever for damage to persons or property that occurs or has occurred as a result of improper installation or maintenance, particularly if the safety instructions and other points to note listed are not or have not been observed in full.

WARNING AND HAZARD NOTICES

Improper mounting or use can lead to accidents and serious injuries.

www.frostdenmark.com

Bavne Alle 32, 8370 Hadsten, Denmark

E-mail: info@frost.dk • Phone: (+45) 87 61 00 32

We are also to be found as frostdenmark on
Facebook, Instagram, Pinterest and LinkedIn

