

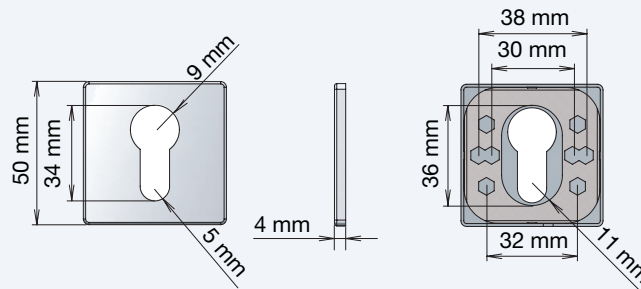
FROST

DENMARK

Architectural Hardware

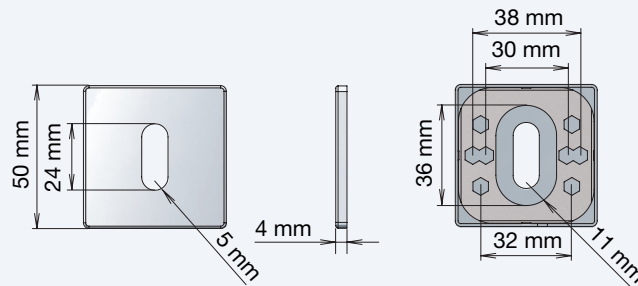
3001 SQUARE, PROFILE CYLINDER

...



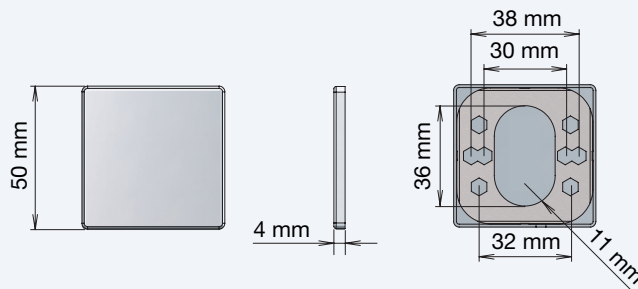
3002 SQUARE, KEYHOLE

...



3004 SQUARE, BLIND

...



PROFILE CYLINDER

3001 SQUARE, PROFILE CYLINDER

escutcheons, 2 pcs. a set

Stainless Steel

Rose: 50 x 50 x 4 mm

Design: busk+hertzog



Brushed Stainless
A3001BS



Brushed Copper
A3001B0CS



Brushed Gold
A3001BMGS



Brushed Black
A3001BCBS



Polished Stainless
A3001PS



Polished Copper
A3001CS



Polished Gold
A3001GS



Matt Black
A3001BLS

KEYHOLE

3002 SQUARE, KEYHOLE

escutcheons, 2 pcs. a set

Stainless Steel

Rose: 50 x 50 x 4 mm

Design: busk+hertzog



Brushed Stainless
A3002BS



Brushed Copper
A3002B0CS



Brushed Gold
A3002BMGS



Brushed Black
A3002BCBS



Polished Stainless
A3002PS



Polished Copper
A3002CS



Polished Gold
A3002GS



Matt Black
A3002BLS

BLIND

3004 SQUARE, BLIND

escutcheons, 2 pcs. a set

Stainless Steel

Rose: 50 x 50 x 4 mm

Design: busk+hertzog



Brushed Stainless
A3004BS



Brushed Copper
A3004B0CS



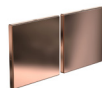
Brushed Gold
A3004BMGS



Brushed Black
A3004BCBS



Polished Stainless
A3004PS



Polished Copper
A3004CS



Polished Gold
A3004GS



Matt Black
A3004BLS

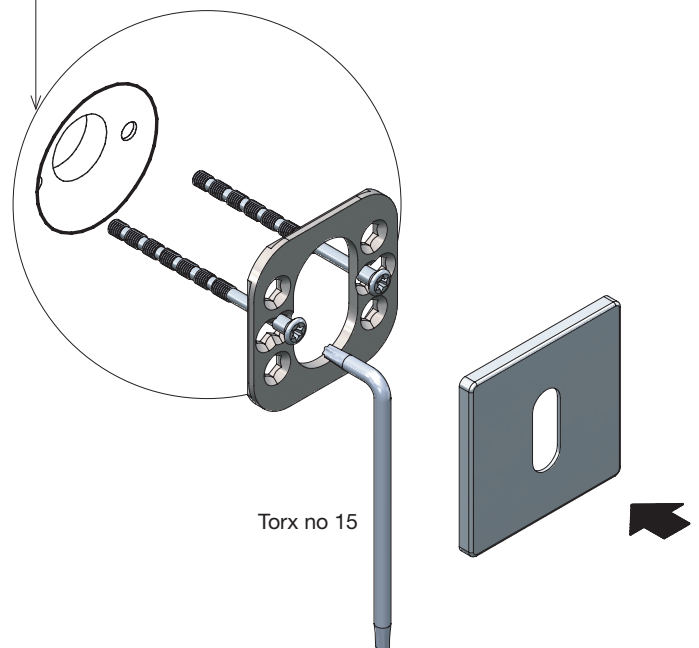
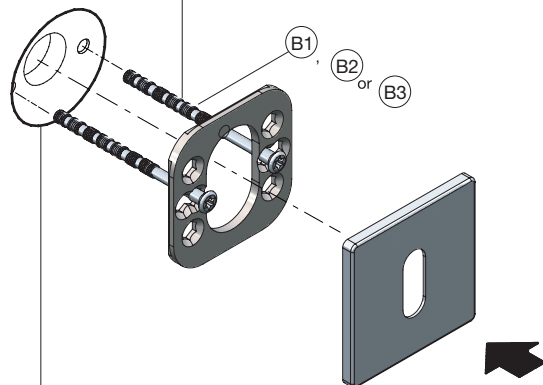
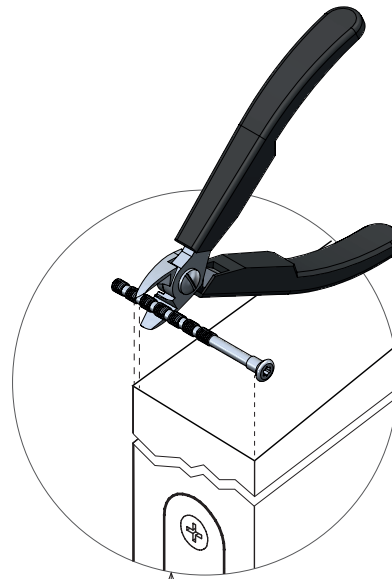
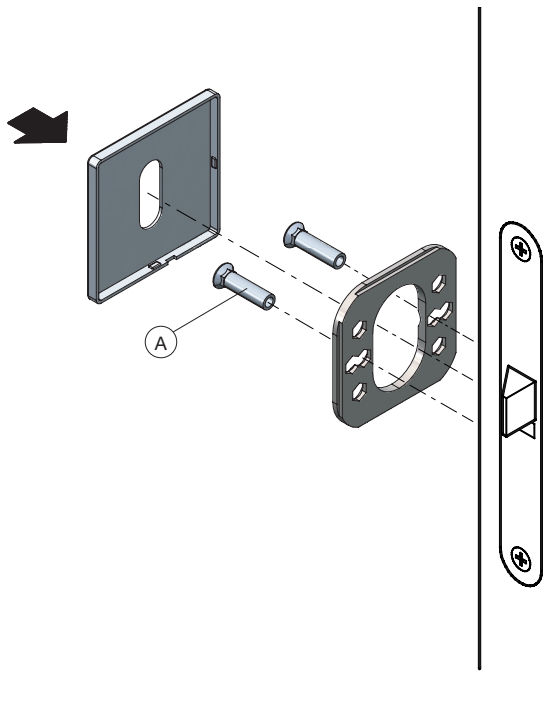
CLEANING AND MAINTENANCE

Stainless steel surfaces should be cleaned with a microfibre cloth, glass cleaner or other non abrasive and gentle agents.

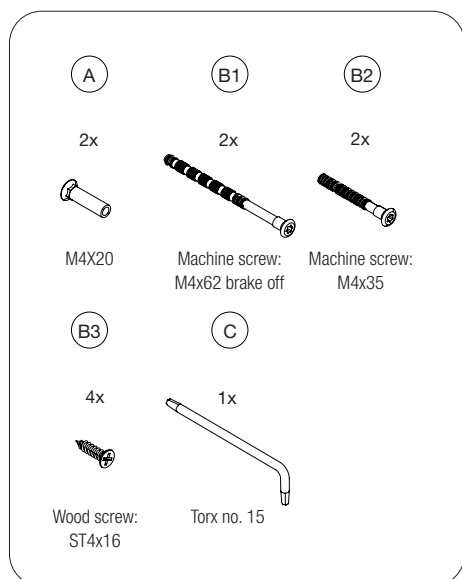
ATTENTION:

Never use solvents or aggressive household cleaners like bleach, acids (e.g. descalers) or ammonia-based bathroom cleaner to clean the product. Steel wool and hard brushes can permanently damage the surface of the steel.

FITTING INSTRUCTIONS



WHAT IS IN THE BOX



FROST A/S
BAVNE ALLÉ 32
DK - 8370 HADSTEN

T +45 8761 0032

info@frost.dk
www.frostdenmark.com

facebook.com / FROSTdenmark
twitter.com / FROSTdenmark
instagram.com / FROSTdenmark
pinterest.com / FROSTdenmark

Copyright © 2021. All rights reserved.

No part of this publication may be reproduced or transmitted in any form or by any means, electronic or mechanical, including photocopy, recording or any other information storage and retrieval system, without prior permission from FROST A/S.

We reserve the right to make alterations to the models without prior notice.