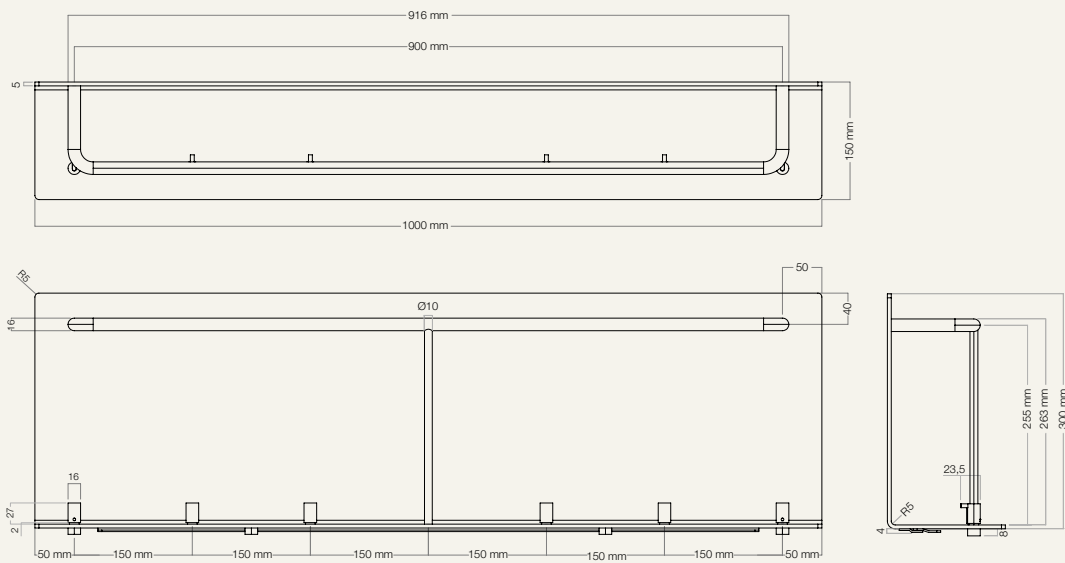


FROST

DENMARK

UNU SHELVES COAT RACK 4017

PRODUCT DETAILS, TECHNICAL DETAILS
AND FITTING INSTRUCTIONS



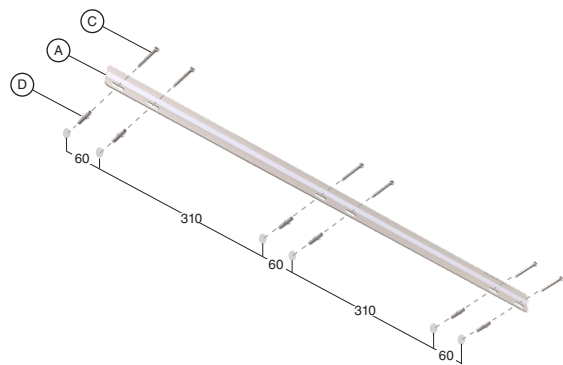
ITEM NUMBERS:

U4017-B, U4017-CB, U4017-GB, U4017-BB,
U4017-W, U4017-CW, U4017-GW

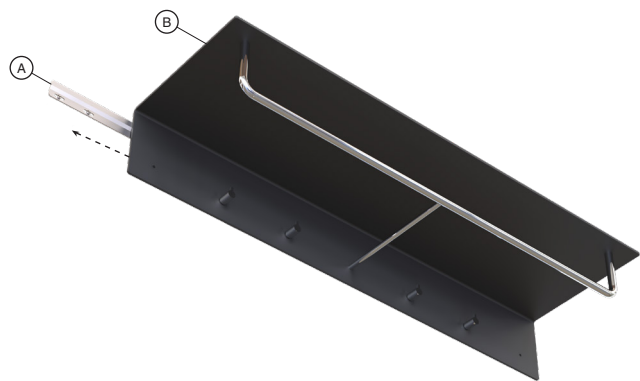
MATERIAL: ALUMINIUM / STAINLESS STEEL
DESIGNED BY BØNNELYCKE MDD

MOUNTING OF U4003

- 1 Secure the mounting bar (A) on the wall as illustrated. Use six wall plugs (D) (Ø8x38) and screws (C) (Ø5x40).



- 2 Slide the Coat Rack (B) onto the mounting bar (A).



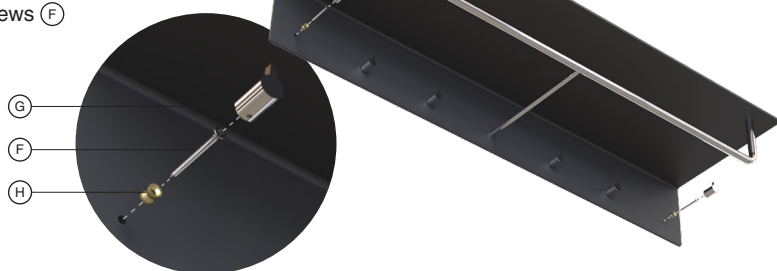
- 3 Mark the placement of two screw holes as illustrated. Then slide the coat rack (B) off the mounting bar (A).



- 4 Drill the marked holes and insert the two wall plugs (E) (Ø6x30). Then slide the coat rack (B) back on to the mounting bar (A).



-
- 5 Secure the coat rack with the brass inserts (H) and screws (F) (Ø4x39). Place the hooks (G) on the brass inserts.



-
- 6 Secure the hooks (G) by tightening set screws (I) with the allen key (J).



CLEANING AND MAINTENANCE

Surfaces should be cleaned with a microfiber cloth, glass cleaner or other non abrasive and gentle agents.

ATTENTION:

Never use solvents or aggressive household cleaners like bleach, acids (e.g. descalers) or ammonia-based bathroom cleaner to clean the product. Steel wool and hard brushes can permanently damage the surface of the steel.

EXCLUSION OF LIABILITY

FROST accepts no liability whatsoever for damage to persons or property that occurs or has occurred as a result of improper installation or maintenance, particularly if the safety instructions and other points to note listed are not or have not been observed in full.

WARNING AND HAZARD NOTICES

Improper mounting or use can lead to accidents and serious injuries.

www.frostdenmark.com

We are also to be found as frostdenmark on Facebook,
Instagram, Pinterest and LinkedIn

