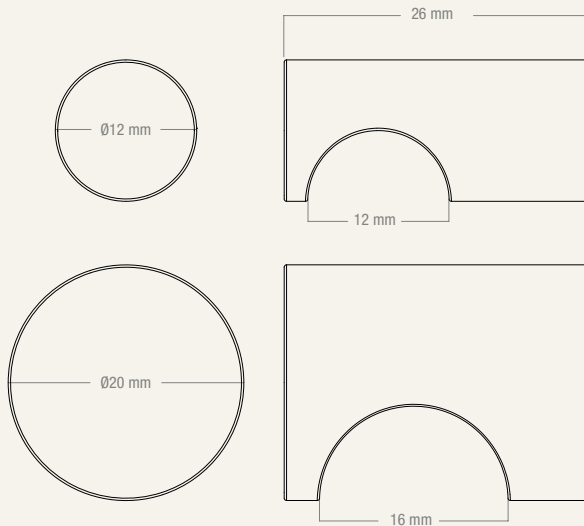


FROST

DENMARK

TORNADO KNOB 1001-012 & 1001-020

PRODUCT DETAILS, TECHNICAL DETAILS
AND FITTING INSTRUCTIONS



MATERIAL: STAINLESS STEEL

AVAILABLE IN THE FROST FINISHES:

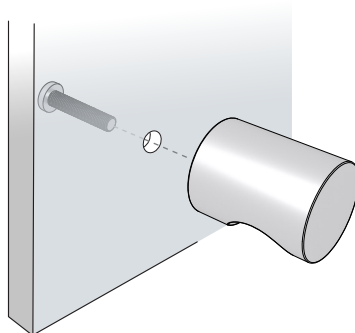




MOUNTING

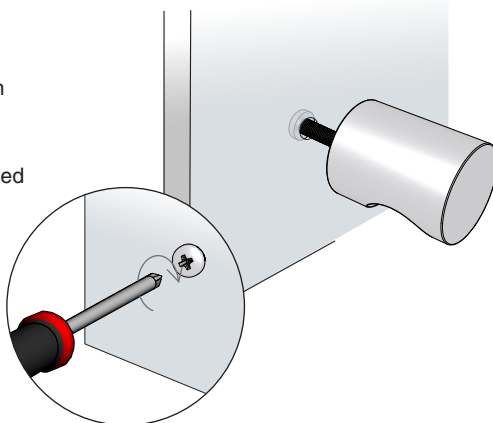
- 1 If there is no pre-drilled hole, drill one through the cabinet door or drawer front using a $\text{\O}4$ mm drill bit.

Depending on the thickness, use either the $\text{\O}4 \times 22$ mm or $\text{\O}4 \times 28$ mm panhead screw and insert it from the inside of the door or drawer.

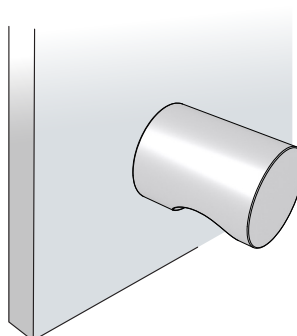


- 2 Attach the Knob from the front and tighten it securely. For easier tightening, use a screwdriver from the back.

Ensure the Knob is properly aligned before fully tightening the screw.



- 3 The Tornado Knob is now ready for use.



CLEANING AND MAINTENANCE

Surfaces should be cleaned with a microfiber cloth, glass cleaner or other non abrasive and gentle agents.

ATTENTION:

Never use solvents or aggressive household cleaners like bleach, acids (e.g. descalers) or ammonia-based bathroom cleaner to clean the product. Steel wool and hard brushes can permanently damage the surface of the steel.

EXCLUSION OF LIABILITY

FROST accepts no liability whatsoever for damage to persons or property that occurs or has occurred as a result of improper installation or maintenance, particularly if the safety instructions and other points to note listed are not or have not been observed in full.

WARNING AND HAZARD NOTICES

Improper mounting or use can lead to accidents and serious injuries.

www.frostdenmark.com

Bavne Alle 32, 8370 Hadsten, Denmark

E-mail: info@frost.dk • Phone: (+45) 87 61 00 32

We are also to be found as frostdenmark on Facebook,
Instagram, Pinterest and LinkedIn

