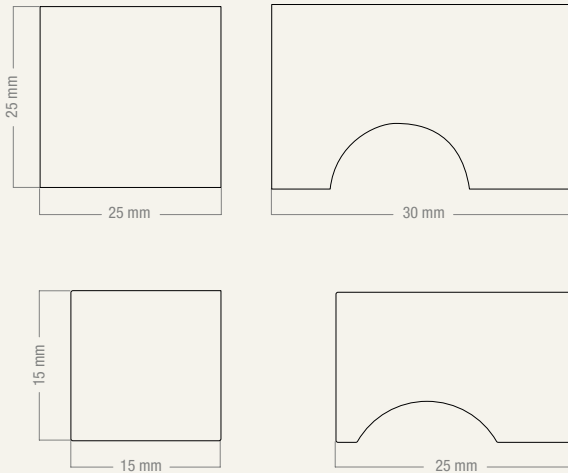


# FROST

DENMARK

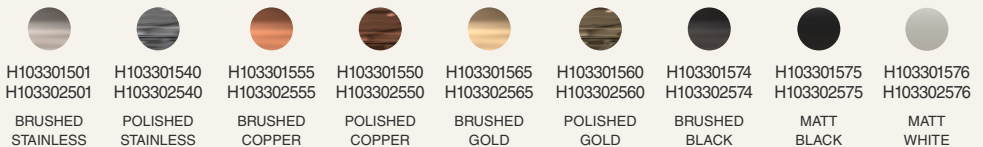
## BRISBANE KNOB 1033-015 & 1033-025

PRODUCT DETAILS, TECHNICAL DETAILS  
AND FITTING INSTRUCTIONS



**MATERIAL: STAINLESS STEEL**

**AVAILABLE IN THE NINE FROST FINISHES:**

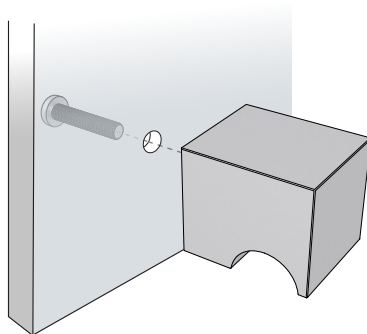




## MOUNTING

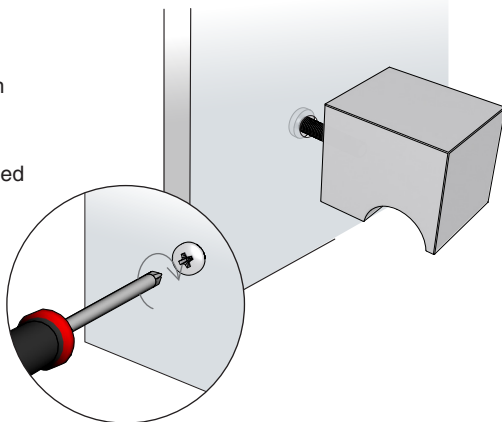
- 1 If there is no pre-drilled hole, drill one through the cabinet door or drawer front using a  $\text{\O}4$  mm drill bit.

Depending on the thickness, use either the  $\text{\O}4 \times 22$  mm or  $\text{\O}4 \times 28$  mm panhead screw and insert it from the inside of the door or drawer.

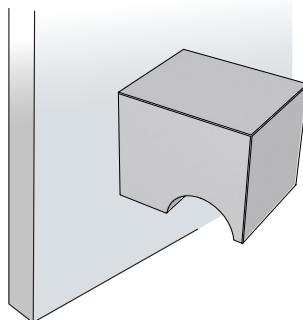


- 2 Attach the Knob from the front and tighten it securely. For easier tightening, use a screwdriver from the back.

Ensure the Knob is properly aligned before fully tightening the screw.



- 3 The Brisbane Knob is now ready for use.



### **CLEANING AND MAINTENANCE**

Surfaces should be cleaned with a microfiber cloth, glass cleaner or other non abrasive and gentle agents.

### **ATTENTION:**

Never use solvents or aggressive household cleaners like bleach, acids (e.g. descalers) or ammonia-based bathroom cleaner to clean the product. Steel wool and hard brushes can permanently damage the surface of the steel.

### **EXCLUSION OF LIABILITY**

FROST accepts no liability whatsoever for damage to persons or property that occurs or has occurred as a result of improper installation or maintenance, particularly if the safety instructions and other points to note listed are not or have not been observed in full.

### **WARNING AND HAZARD NOTICES**

Improper mounting or use can lead to accidents and serious injuries.

**[www.frostdenmark.com](http://www.frostdenmark.com)**

Bavne Alle 32, 8370 Hadsten, Denmark

E-mail: [info@frost.dk](mailto:info@frost.dk) • Phone: (+45) 87 61 00 32

We are also to be found as frostdenmark on Facebook,  
Instagram, Pinterest and LinkedIn

