

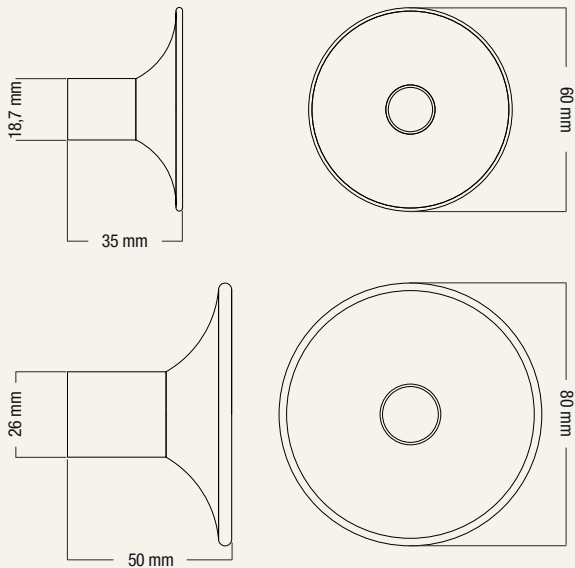
FROST

DENMARK

LULU HOOK 1060 & 1080

DESIGNED BY BUSK + HERTZOG

PRODUCT DETAILS, TECHNICAL DETAILS
AND FITTING INSTRUCTIONS



MATERIAL: STAINLESS STEEL

AVAILABLE IN THE FROST FINISHES:



L1060 / L1080
BRUSHED STAINLESS /
POLISHED STAINLESS



L1060-M / L1080-M
POLISHED STAINLESS /
MATT BLACK



L1060-C / L1080-C
POLISHED COPPER /
MATT BLACK



L1060-G / L1080-G
POLISHED GOLD /
MATT BLACK



L1060-B / L1080-B
MATT BLACK /
POLISHED STAINLESS



L1060-W / L1080-W
MATT WHITE /
POLISHED STAINLESS



L1060-BOC / L1080-BOC
BRUSHED COPPER /
MATT BLACK



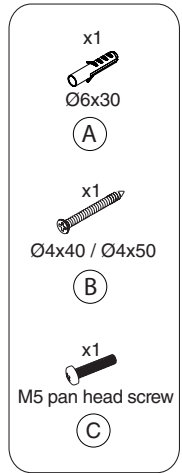
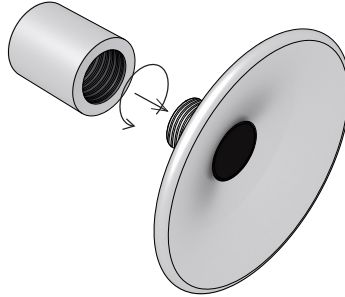
L1060-BMG / L1080-BMG
BRUSHED GOLD /
MATT BLACK



L1060-BCB / L1080-BCB
BRUSHED BLACK /
POLISHED STAINLESS

MOUNTING ON WALL

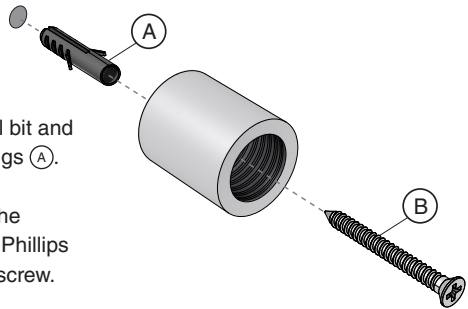
- 1 Before mounting, separate the hook head from the foot by unscrewing it.



- 2 Place the Lulu Hook in the desired position and mark the screw hole.

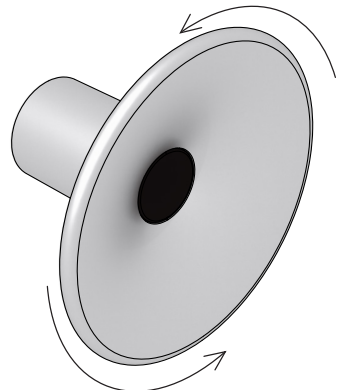
Drill the marked hole using a 5 mm drill bit and insert the enclosed Ø5x24 mm wall plugs (A).

Secure the Hook foot on the wall with the included enclosed screw (B) and use a Phillips screwdriver with bit PH2 to tighten the screw.



- 3 Reattach the hook head by screwing it back on and tightening it securely.

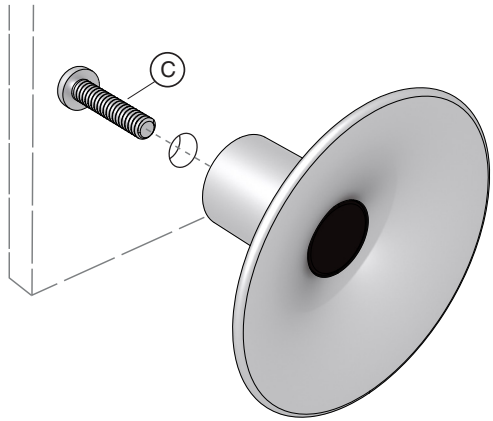
The hook is now ready for use.



MOUNTING AS HANDLE

- 1 The Lulu Hooks can also be used as a handle or knob.

Simply use the included M5 pan head screw to attach the Lulu Hook to your desired piece of furniture.



reddot design award
winner 2010

CLEANING AND MAINTENANCE

Surfaces should be cleaned with a microfiber cloth, glass cleaner or other non abrasive and gentle agents.

ATTENTION:

Never use solvents or aggressive household cleaners like bleach, acids (e.g. descalers) or ammonia-based bathroom cleaner to clean the product. Steel wool and hard brushes can permanently damage the surface of the steel.

EXCLUSION OF LIABILITY

FROST accepts no liability whatsoever for damage to persons or property that occurs or has occurred as a result of improper installation or maintenance, particularly if the safety instructions and other points to note listed are not or have not been observed in full.

WARNING AND HAZARD NOTICES

Improper mounting or use can lead to accidents and serious injuries.

www.frostdenmark.com

Bavne Alle 32, 8370 Hadsten, Denmark

E-mail: info@frost.dk • Phone: (+45) 87 61 00 32

We are also to be found as frostdenmark on Facebook,
Instagram, Pinterest and LinkedIn

