

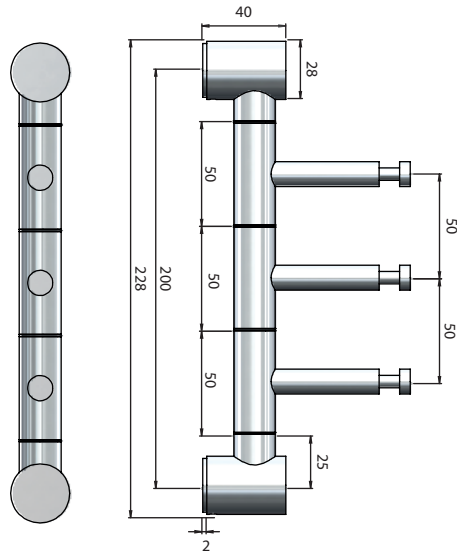
FROST

DENMARK

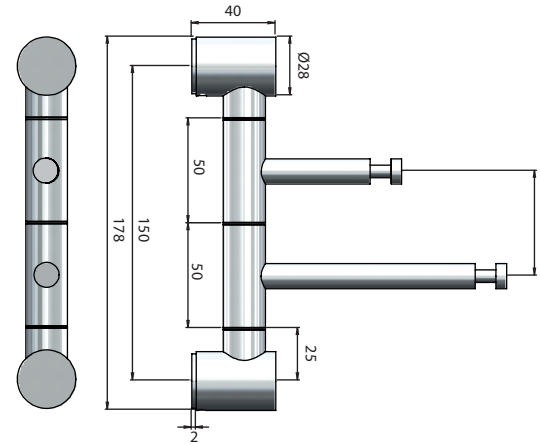
NOVA2 COAT RACK 1, 2 & 3

Fitting instruction
Montageanleitung
Monteringsvejledning
Monteringsvægledning
Montage hanleiding
Manuel de montage

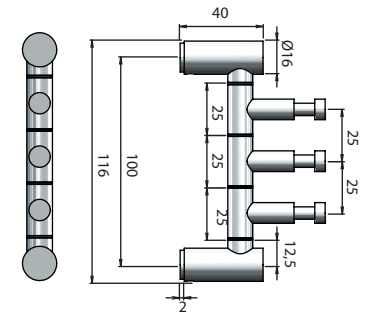
COAT RACK 1



COAT RACK 2



COAT RACK 3



N1904-1
» Brushed



O1904-1
» Polished



N1904-2
» Brushed



O1904-2
» Polished



N1904-3
» Brushed

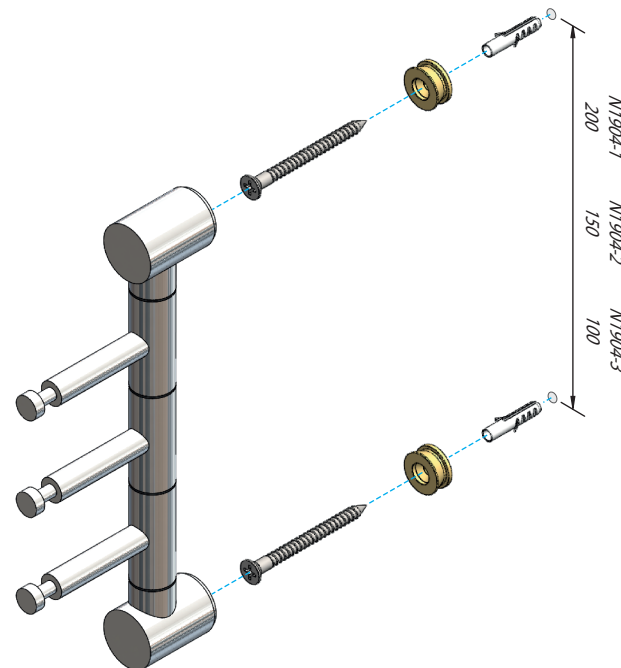


O1904-3
» Polished

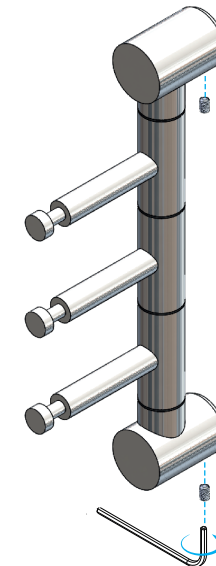


Material: Stainless steel, AISI 304
Design: Bønnelycke mdd
Manufacturer: FROST A/S, Bavne Allé 32,
DK-8370 Hadsten
www.frostdenmark.com

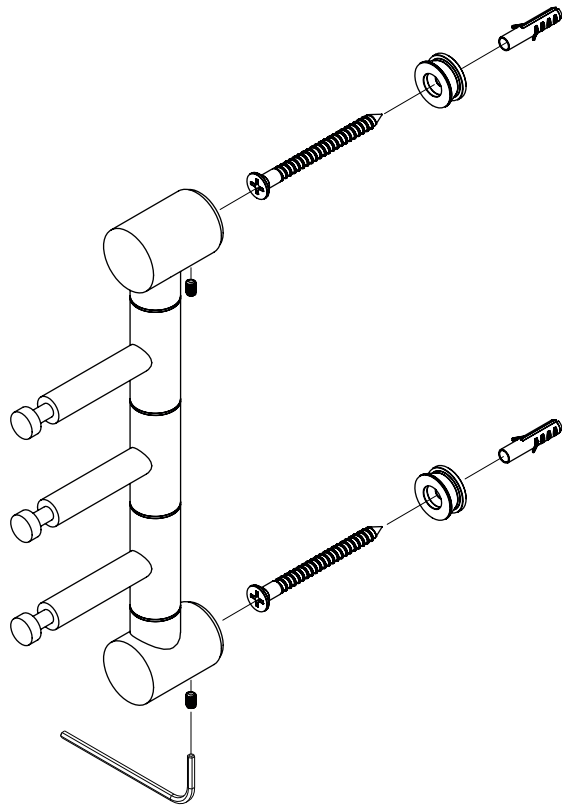
1



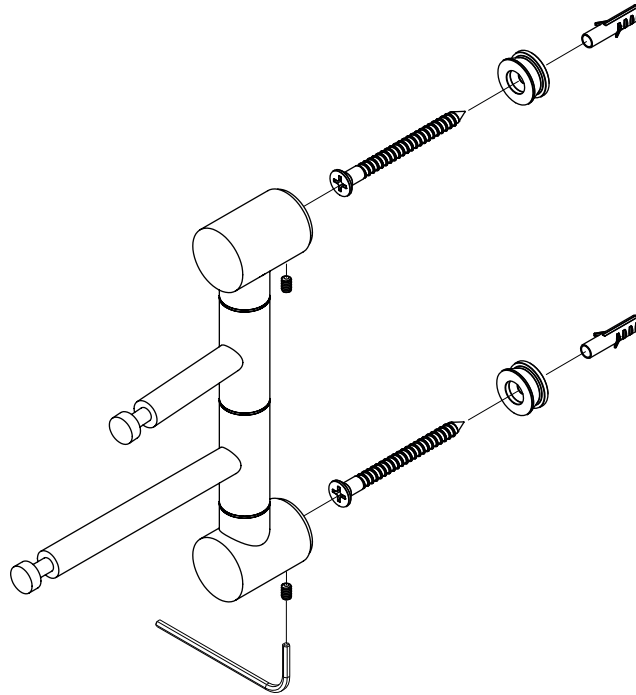
2



COAT RACK 1



COAT RACK 2



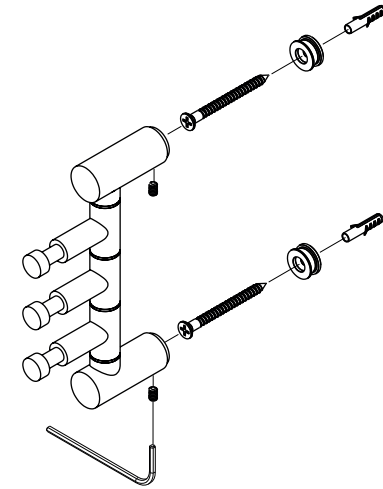
Exclusion of liability

FROST accepts no liability whatsoever for damage to persons or property that occurs or has occurred as a result of improper installation or maintenance, particularly if the safety instructions and other points to note listed are not or have not been observed in full.

Warning and hazard notices

Improper mounting or use can lead to accidents and serious injuries.

COAT RACK 3



Cleaning and maintenance

Stainless steel surfaces should be cleaned with a microfibre cloth, glass cleaner or other non abrasive and gentle agents.

Attention:

Never use solvents or aggressive household cleaners like bleach, acids (e.g. descalers) or ammonia-based bathroom cleaner to clean the product. Steel wool and hard brushes can permanently damage the surface of the steel.

