

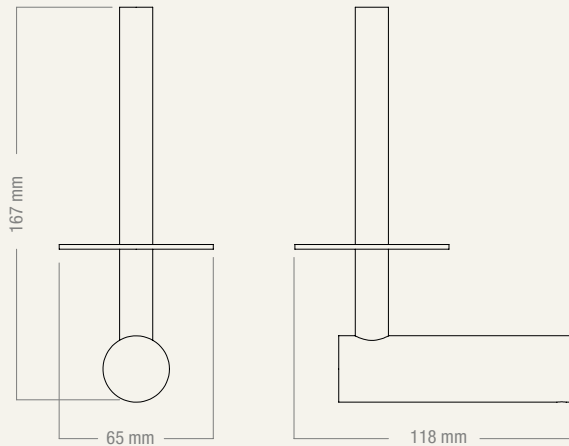
FROST

DENMARK

SPARE TOILET ROLL HOLDER 1912

DESIGNED BY BØNNELYCKE MDD

PRODUCT DETAILS, TECHNICAL DETAILS
AND FITTING INSTRUCTIONS



MATERIAL: STAINLESS STEEL

AVAILABLE IN THE NINE FROST FINISHES:



N1912
BRUSHED
STAINLESS



O1912
POLISHED
STAINLESS



N1912-BOC
BRUSHED
COPPER



N1912-C
POLISHED
COPPER



N1912-BMG
BRUSHED
GOLD



N1912-GO
POLISHED
GOLD



N1912-BCB
BRUSHED
BLACK



N1912-B
MATT
BLACK



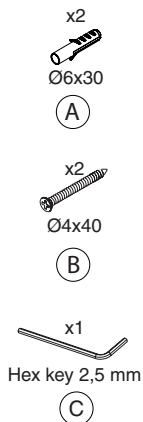
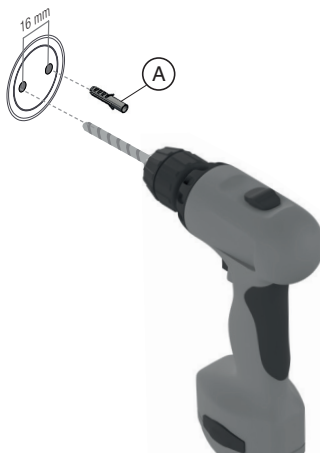
N1912-W
MATT
WHITE



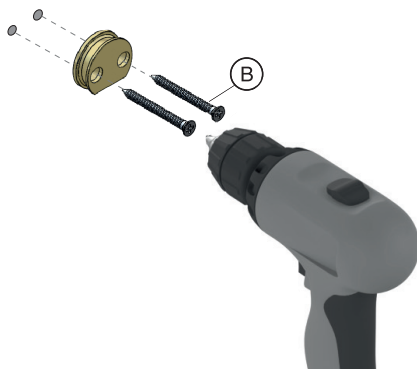
MOUNTING

- 1 Place the Toilet Roll Holder in the desired position and mark the screw holes as illustrated, with a CC distance of 16 mm.

Drill the marked holes using a 6 mm drill bit and insert the enclosed $\text{\O}6 \times 30$ mm wall plugs (A).

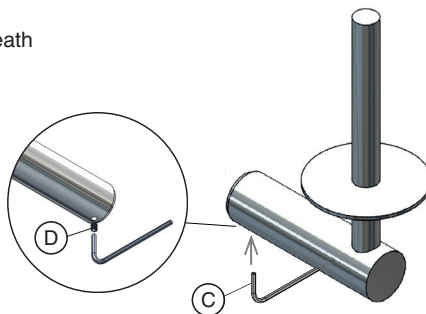


- 2 Secure the insert on the wall with the enclosed $\text{\O}4 \times 40$ mm screws (B) and use a Phillips screwdriver with bit PH2 to tighten the screws.



- 3 Press the Toilet Roll Holder on to the insert.

Securely tighten the set screw (D) underneath with the hex key (C).



CLEANING AND MAINTENANCE

Surfaces should be cleaned with a microfiber cloth, glass cleaner or other non abrasive and gentle agents.

ATTENTION:

Never use solvents or aggressive household cleaners like bleach, acids (e.g. descalers) or ammonia-based bathroom cleaner to clean the product. Steel wool and hard brushes can permanently damage the surface of the steel.

EXCLUSION OF LIABILITY

FROST accepts no liability whatsoever for damage to persons or property that occurs or has occurred as a result of improper installation or maintenance, particularly if the safety instructions and other points to note listed are not or have not been observed in full.

WARNING AND HAZARD NOTICES

Improper mounting or use can lead to accidents and serious injuries.

www.frostdenmark.com

Bavne Alle 32, 8370 Hadsten, Denmark

E-mail: info@frost.dk • Phone: (+45) 87 61 00 32

We are also to be found as frostdenmark on Facebook,
Instagram, Pinterest and LinkedIn

