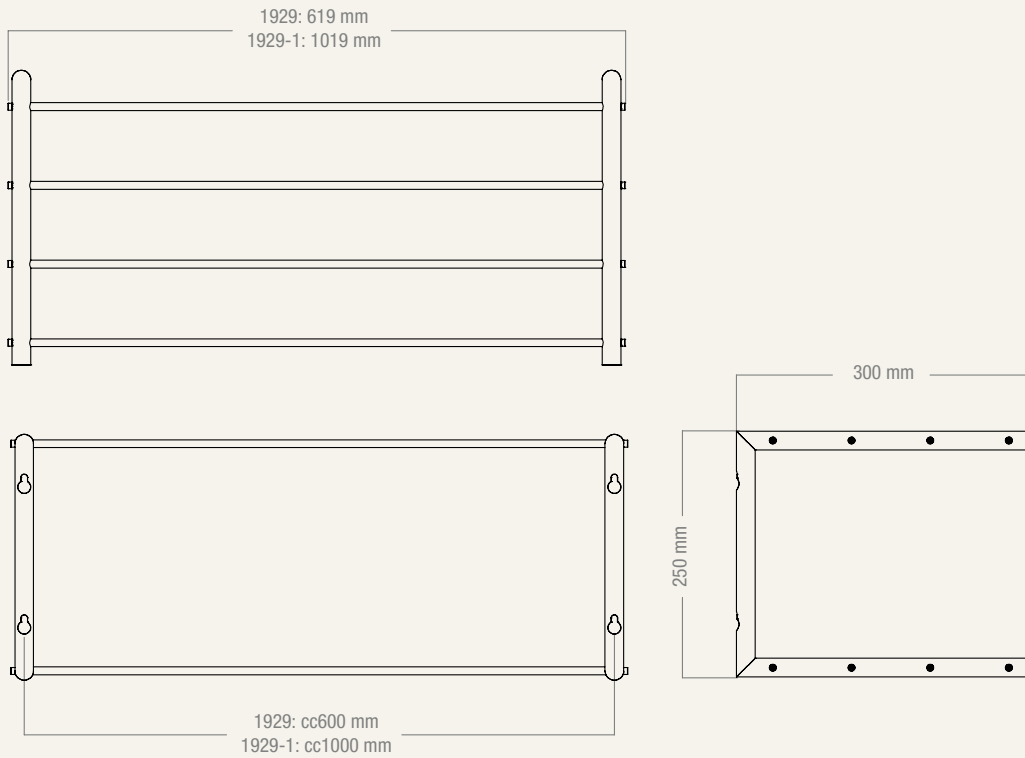


DOUBLE SHOE RACK 1929 & 1929-1


DESIGNED BY FROST DENMARK


PRODUCT DETAILS, TECHNICAL DETAILS
AND FITTING INSTRUCTIONS





MATERIAL: STAINLESS STEEL


AVAILABLE IN THE NINE FROST FINISHES:



N1929
N1929-1
BRUSHED
STAINLESS



O1929
N1929-1
POLISHED
STAINLESS



N1929-BOC
N1929-1-BOC
BRUSHED
COPPER



N1929-C
N1929-1-C
POLISHED
COPPER


N1929-BMG
N1929-1-BMG
BRUSHED
GOLD

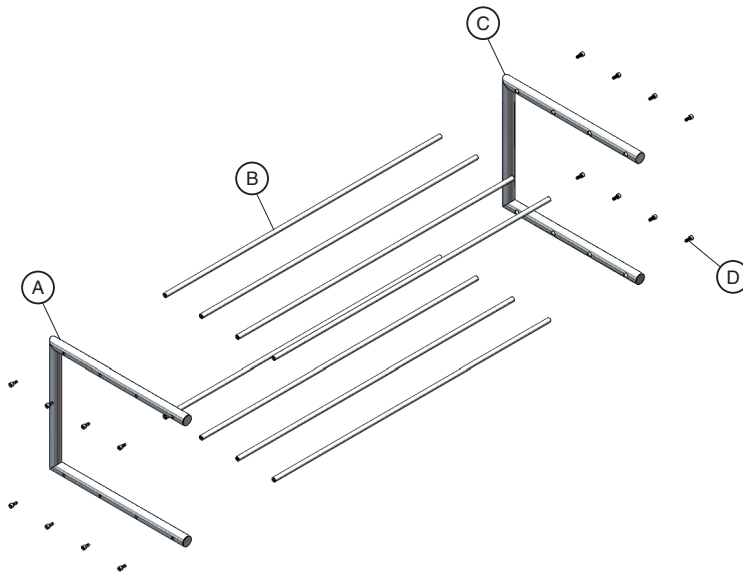

N1929-GO
N1929-1-GO
POLISHED
GOLD


N1929-BCB
N1929-1-BCB
BRUSHED
BLACK


N1929-B
N1929-1-B
MATT
BLACK


N1929-W
N1929-1-W
MATT
WHITE

DOUBLE SHOE RACK



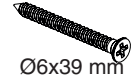
x4



Ø8x38 mm

(E)

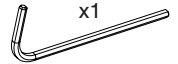
x4



Ø6x39 mm

(F)

x1



Hex key 3 mm

(G)

MOUNTING

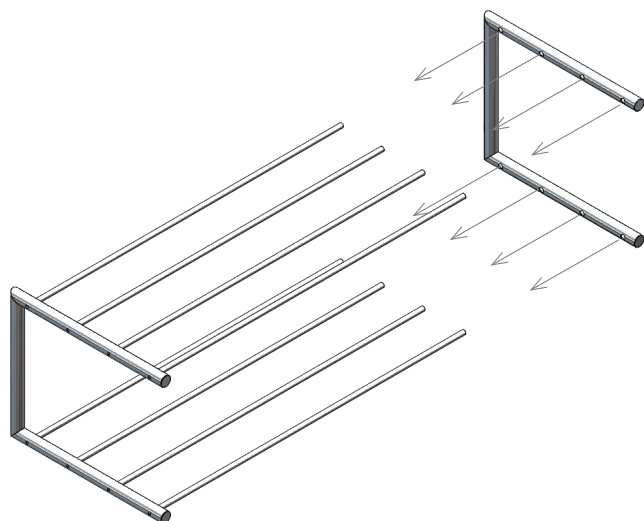
1

Mount the eight crossbars (B) by gently inserting them into the pre-made holes in the side frame (A), by using small rotational movements. For some finish models, you may need to apply a bit more force to fully insert the crossbars (B).

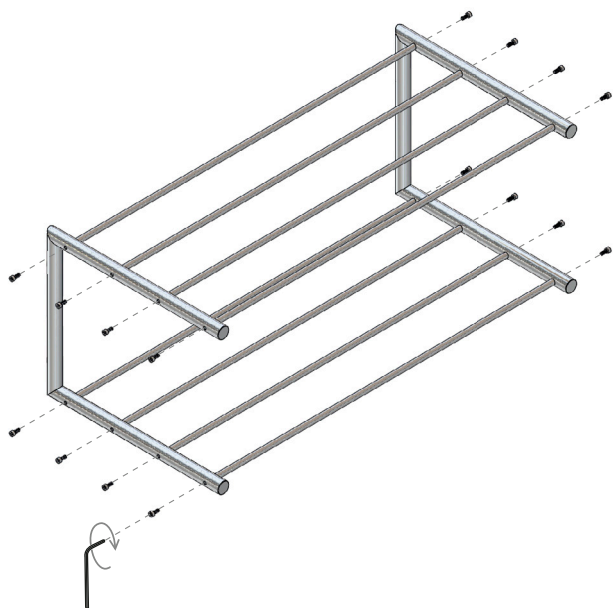


2

Mount the opposite side frame (C) onto the ends of the eight crossbars (B). This may also require small rotational movements.



- 3 Use the sixteen Ø4x10 mm screws (D) to fasten the eight crossbars to the two side frames. Tighten all the screws (D) with the 3 mm enclosed hex key (G).

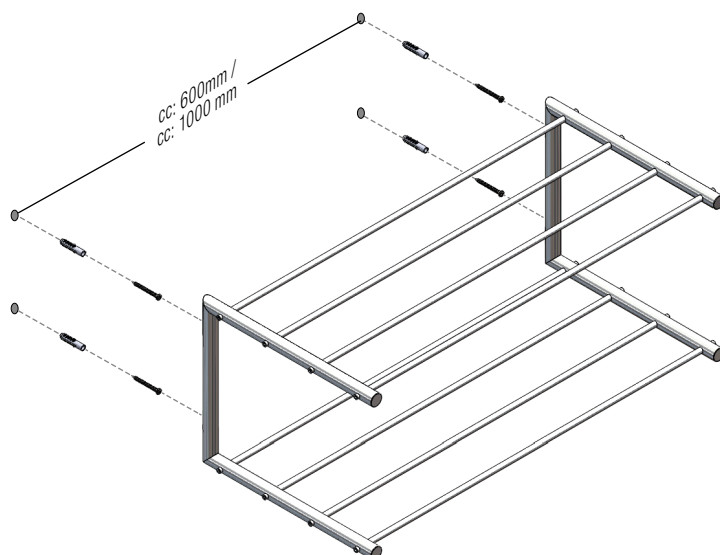


MOUNTING ON THE WALL

- 1 Place the Shoe Rack in the desired position and mark the screw holes as illustrated, with a CC distance of either 600 or 1000 mm.

Drill the marked holes using a 8 mm drill bit and insert the enclosed Ø8x38 mm wall plugs (E).

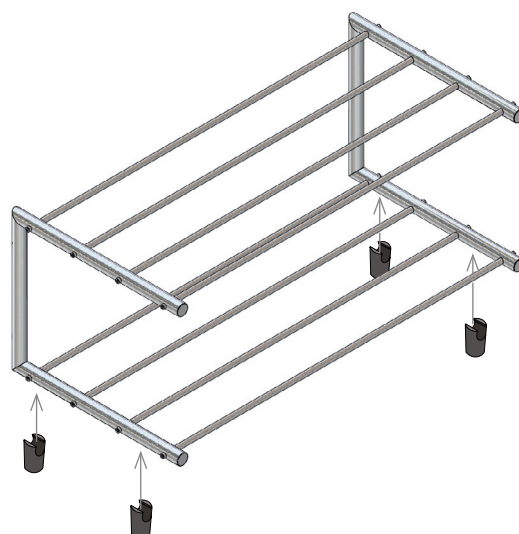
Insert the Ø6x39 mm screws (F) with a Phillips screwdriver with bit PH3. Let the screw stick a bit out to place the Shoe Rack onto.



MOUNTING OF ADDITIONAL FEET

- 1 Additional feet can be purchased separately for the Double Shoe Racks, so it can stand on the floor.

For mounting the feet onto the Shoe Rack simply press them onto the bottom the side frames (A) / (C) as illustrated.



CLEANING AND MAINTENANCE

Surfaces should be cleaned with a microfiber cloth, glass cleaner or other non abrasive and gentle agents.

ATTENTION:

Never use solvents or aggressive household cleaners like bleach, acids (e.g. descalers) or ammonia-based bathroom cleaner to clean the product. Steel wool and hard brushes can permanently damage the surface of the steel.

EXCLUSION OF LIABILITY

FROST accepts no liability whatsoever for damage to persons or property that occurs or has occurred as a result of improper installation or maintenance, particularly if the safety instructions and other points to note listed are not or have not been observed in full.

WARNING AND HAZARD NOTICES

Improper mounting or use can lead to accidents and serious injuries.

www.frostdenmark.com

Bavne Alle 32, 8370 Hadsten, Denmark

E-mail: info@frost.dk • Phone: (+45) 87 61 00 32

We are also to be found as frostdenmark on Facebook,
Instagram, Pinterest and LinkedIn

