

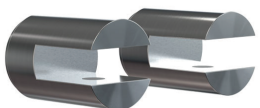
# FROST

DENMARK

## NOVA2 SHELF CLAMP

Fitting instruction  
Montageanleitung  
Monteringsvejledning  
Monteringsvægledning  
Montage hanleiding  
Manuel de montage

N1933



### Exclusion of liability

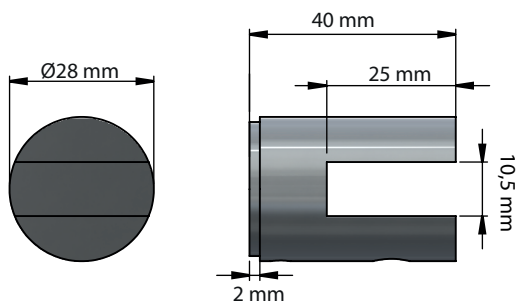
FROST accepts no liability whatsoever for damage to persons or property that occurs or has occurred as a result of improper installation or maintenance, particularly if the safety instructions and other points to note listed are not or have not been observed in full.

### Warning and hazard notices

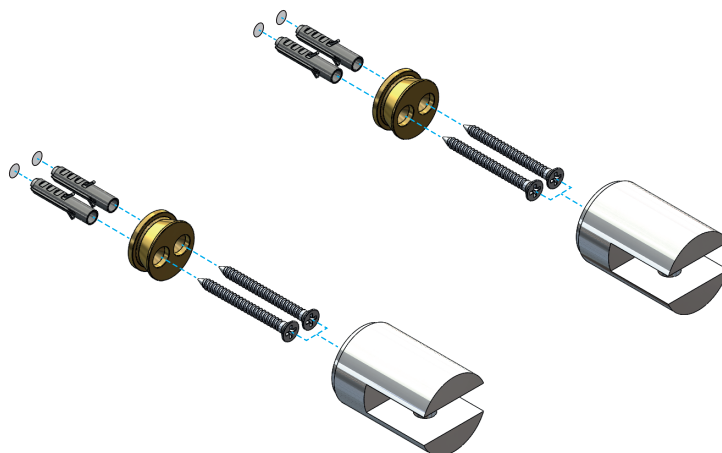
Improper mounting or use can lead to accidents and serious injuries.

N1933  
2 pcs. a set

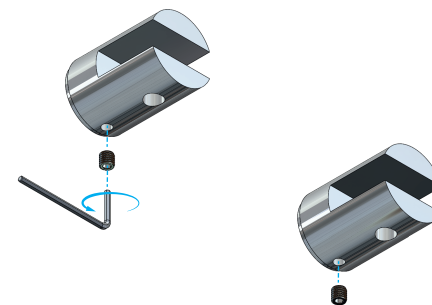
Shelf Thickness: 6 - 10 mm



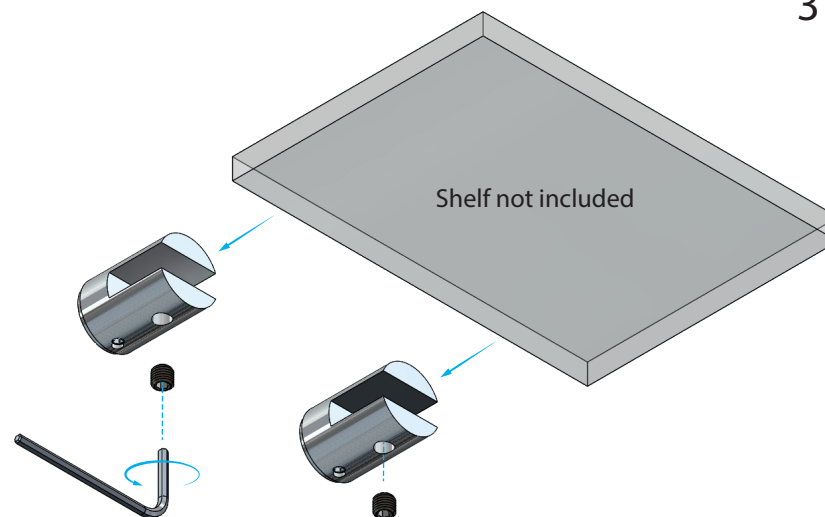
1



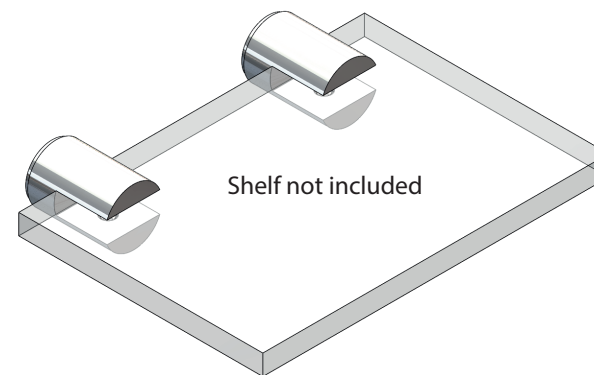
2



3



4



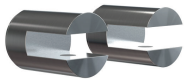
1

**FROST**  
DENMARK

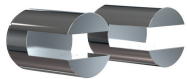
Bavne Allé 32  
DK-8370 Hadsten  
+45 8761 0032  
info@frost.dk

www.frostdenmark.com

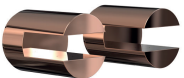
N1933  
» Brushed



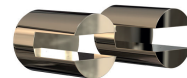
O1933  
» Polished



N1933-C  
» Polished Copper



N1933-GO  
» Polished Gold



N1933-B  
» Matt Black

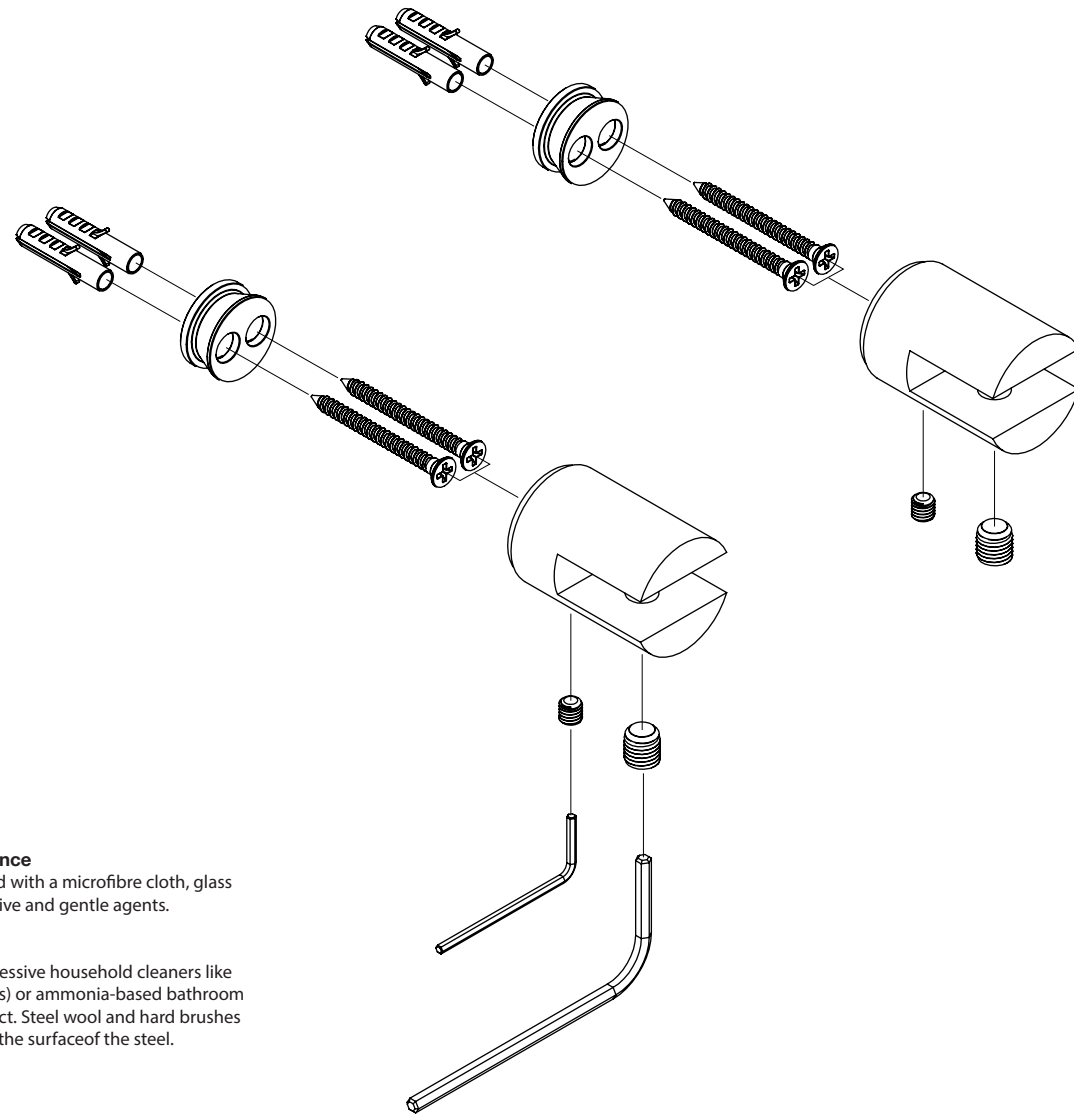


N1933-W  
» Matt White



**Material:** Stainless steel, AISI 304  
**Design:** Bønnelycke mdd  
**Manufacturer:** FROST A/S

## SHELF CLAMP



### Cleaning and maintenance

Surfaces should be cleaned with a microfibre cloth, glass cleaner or other non abrasive and gentle agents.

### Attention:

Never use solvents or aggressive household cleaners like bleach, acids (e.g. descalers) or ammonia-based bathroom cleaner to clean the product. Steel wool and hard brushes can permanently damage the surface of the steel.

