

# FROST

DENMARK

## NOVA2 SOAP DISPENSER 3

Fitting instruction  
Montageanleitung  
Monteringsvejledning  
Monteringsvægledning  
Montage hanleiding  
Manuel de montage

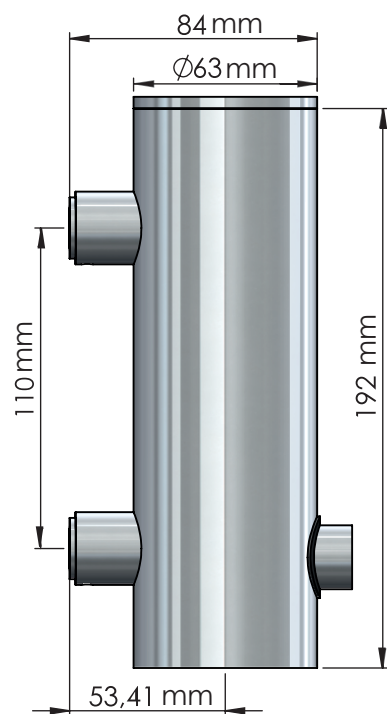
N1939



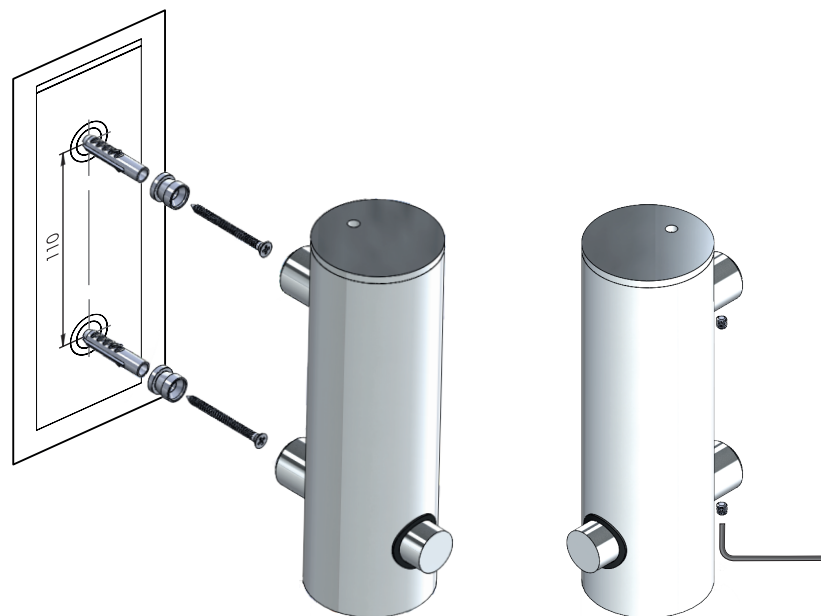
**Exclusion of liability**  
FROST accepts no liability whatsoever for damage to persons or property that occurs or has occurred as a result of improper installation or maintenance, particularly if the safety instructions and other points to note listed are not or have not been observed in full.

**Warning and hazard notices**  
Improper mounting or use can lead to accidents and serious injuries.

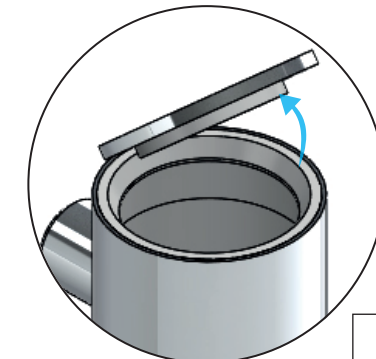
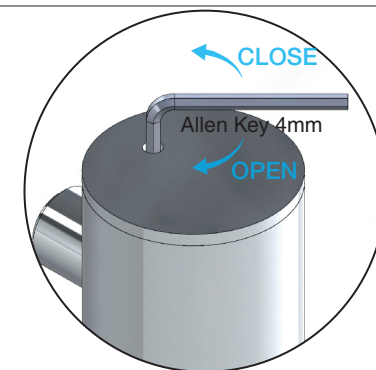
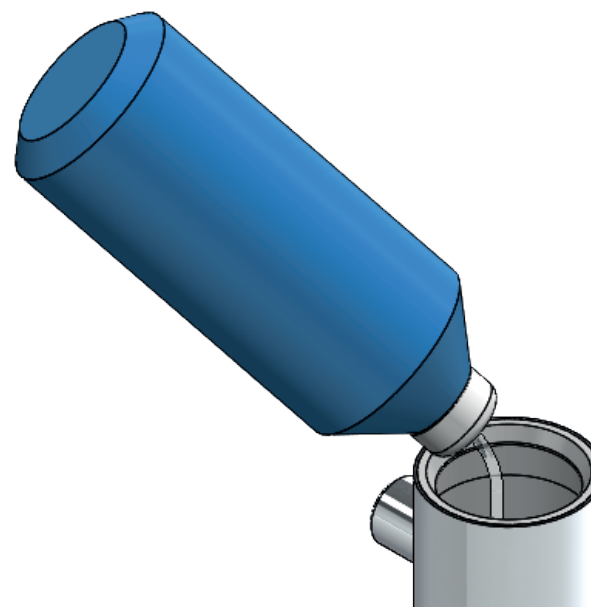
200 ml.



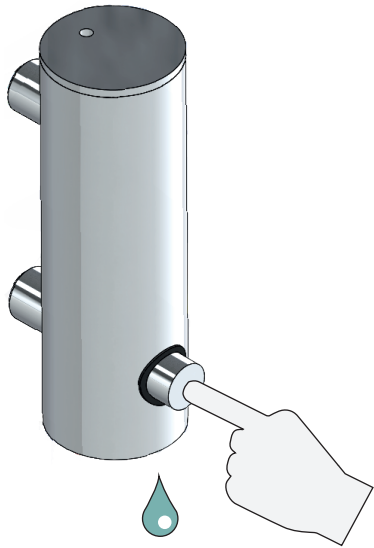
NOTE: Do not mount the dispenser in the shower.



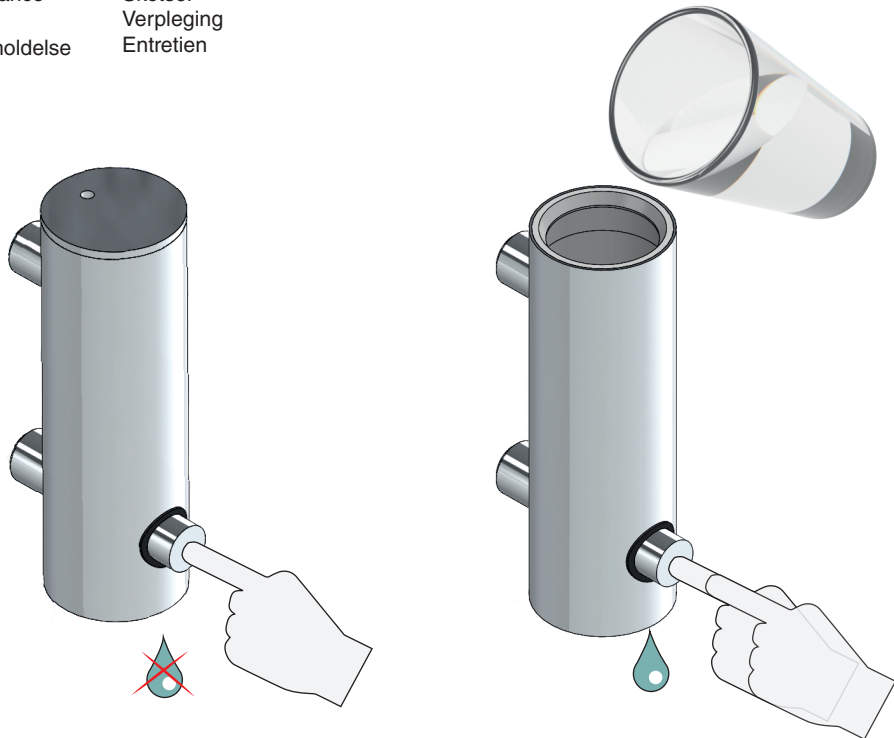
NOTE: Always use liquid with low viscosity, hence do not use shampoo, conditioner or shower gel etc.



Operating    Buk  
Bedienung    Bedienung  
Betjening    Empleo



Maintenance    Skötsel  
Pflege    Verpleging  
Vedligeholdelse    Entretien



## MAINTAINING THE DISPENSER

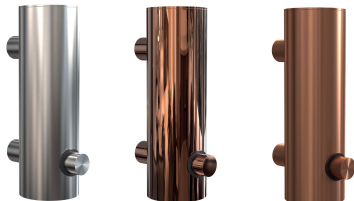
- If the dispenser is not used for a long period of time and becomes clogged.
- Pour **ONLY** warm water into the dispenser and gently pump it to clear the blockage.
- **NEVER** try inserting a sharp object e.g. pin into the soap nozzle, which could irreparably damage the pump and void the warranty.
- **ONLY** clean inside the dispenser with warm water.
- **NEVER** use solvents or aggressive household cleaners like bleach, acids (e.g. descalers) or ammonia-based bathroom cleaner.
- To clean the outside of the dispenser, use warm soapy water or approved stainless steel cleaners.
- Should brown deposits appear around the lid or pump, remove with a brush or pan cleaning pad and soapy water.
- Hard deposits can be scratched off with your fingernail or a blunt knife.
- It is not exactly rust, and to avoid it, try changing to a milder liquid soap with a neutral PH

**FROST**  
DENMARK

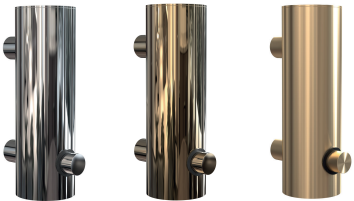
Bavne Allé 32 DK-8370  
Hadsten  
+45 8761 0032  
info@frost.dk

www.frostdenmark.com

N1939 » Brushed    N1939-C » Polished Copper    N1939-BOC » Brushed Copper



O1939 » Polished    N1939-GO » Polished Gold    N1939-BMG » Brushed Gold

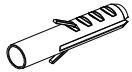






N1939-W » Matt White    N1939-B » Matt Black    N1939-BCB » Brushed Black



Material: Stainless steel, AISI 304  
Design: Bønnelycke mdd  
Manufacturer: FROST A/S

**SOAP DISPENSER 3**

- (A)  
2x  
  
Ø8x39.6
- (B)  
2x  
  
5x60
- (C)  
2x  
  
M5x5
- (D)  
1x  
  
2,5MM
- (E)  
1x  
  
4MM

