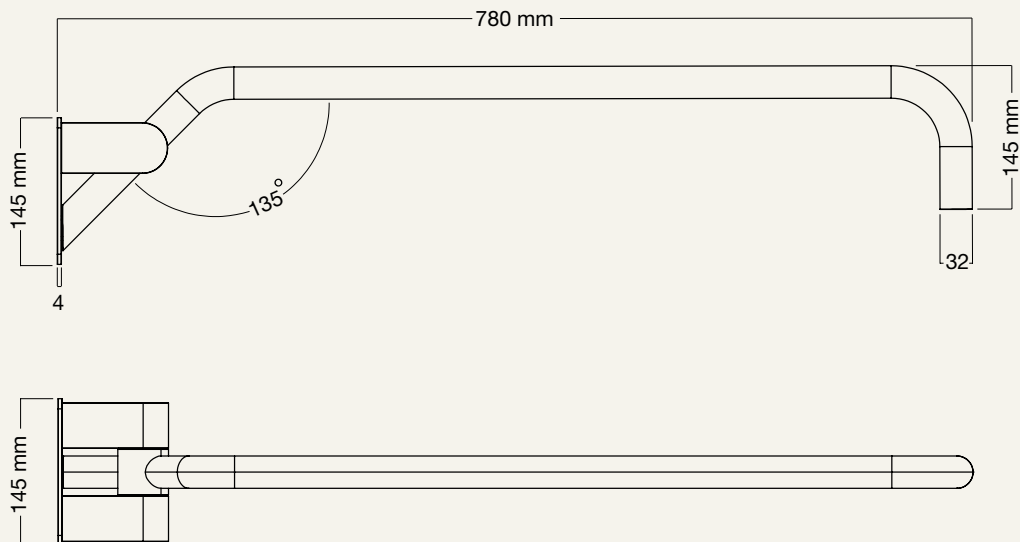


ARM SUPPORT 1961

DESIGNED BY BØNNELYCKE MDD

PRODUCT DETAILS, TECHNICAL DETAILS
AND FITTING INSTRUCTIONS



MATERIAL: STAINLESS STEEL

AVAILABLE IN THE NINE FROST FINISHES:



BEFORE INSTALLING PLEASE NOTE

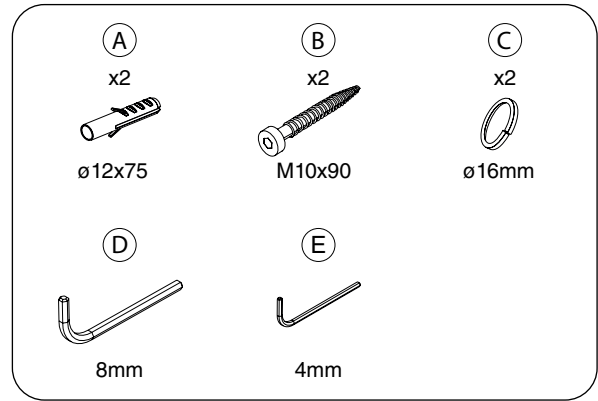
- ⓘ Before installing, the installer must ensure that the material and strength of the wall are sufficient. FROST CARE products must be mounted on a solid or reinforced wall.

Recommended installation height: 73 cm (bracket holes).

76 cm (top of bracket)

Recommended user height: 80 cm (top of armrest)

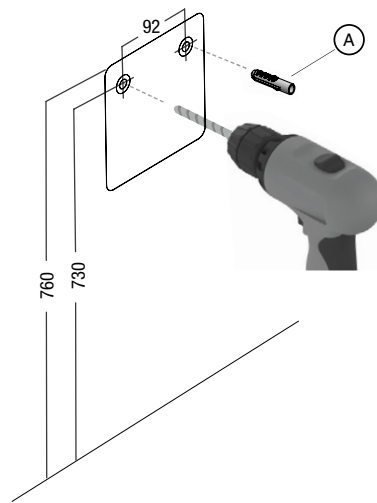
If any other user height is required, simply position the holes of the bracket 7 cm below the required height.



MOUNTING

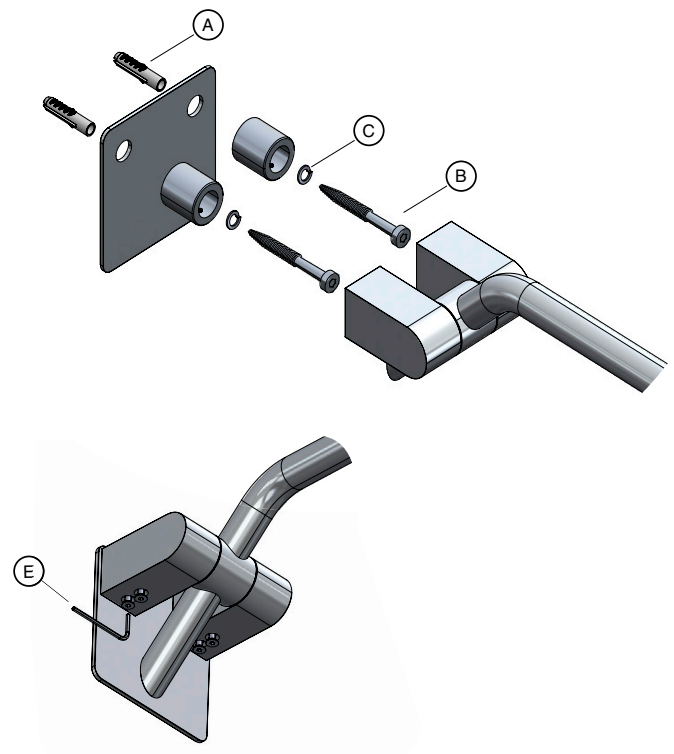
- ① Mark the placement of the screw holes for mounting the Arm Support on the wall.

Drill out the marked holes with a 12 mm drill bit and insert the enclosed Ø12x75 mm wall plugs (A).



- ② Secure the Seat on the wall with the enclosed M10x90 mm screws (B) and two ø16 mm lock washers (C). Use a 8 mm hex key (D) or hex bit to tighten the screws.

Tighten the bolts underneath the Arm Support on each side with the 4 mm hex key (E).

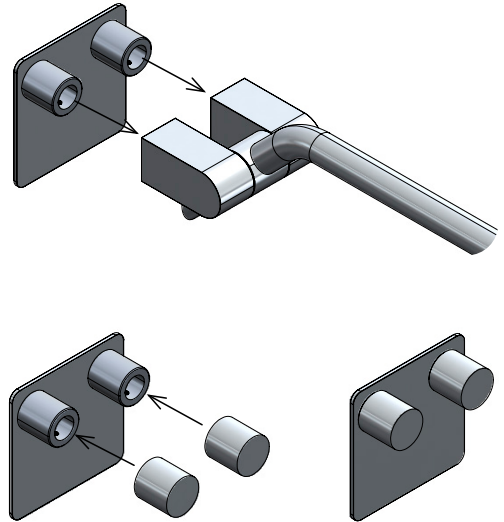


ADDITIONAL PRODUCTS FOR ARM SUPPORT

1 Cover caps 1961-1 for Arm Support

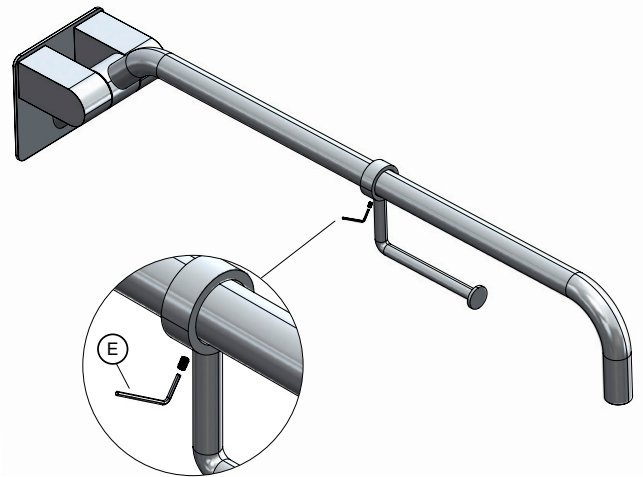
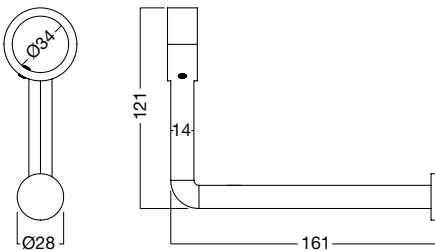
Loosen the bolts underneath the Arm Support using a 4 mm hex key © to remove it.

Then, place the caps onto the brackets.



2 Toilet Roll holder 1962 for Arm Support

Slide the Toilet Roll Holder onto the Arm Support. Once it's in the desired position, use a 4 mm hex key (E) to tighten it in place.



METHOD OF TESTING

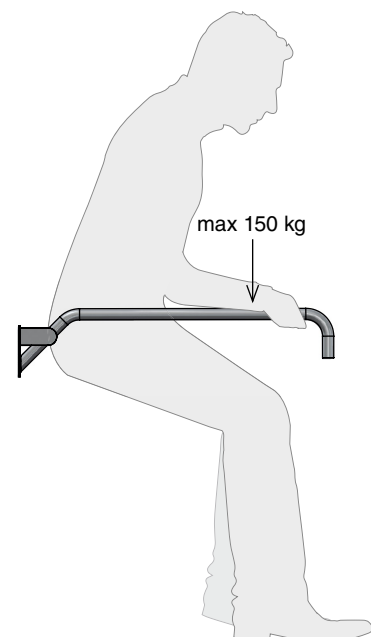
- ! To ensure that the Arm Support is capable of withstanding heavy load and conditions for everyday use, the product has been tested in accordance to the requirements of the European standard for technical aids for disabled, BS/EN 12182:2012.

The Arm Support was then subjected to static load; test with 150 kg, following by a static overload test with 225 kg.

We recommend all FROST CARE products are installed on a solid wall. Reinforcement should always be used if the wall is not stable. All tests are carried out on products mounted on a solid wall. Reinforcements should always be used if the wall is not stable.

This product has a maximum weight capacity of 150 kg.

For safety reasons, we recommend to check all bolt connections to ensure that no parts are loose and that all attachment to the wall are intact.



CLEANING AND MAINTENANCE

Surfaces should be cleaned with a microfiber cloth, glass cleaner or other non abrasive and gentle agents.

ATTENTION:

Never use solvents or aggressive household cleaners like bleach, acids (e.g. descalers) or ammonia-based bathroom cleaner to clean the product. Steel wool and hard brushes can permanently damage the surface of the steel.

EXCLUSION OF LIABILITY

FROST accepts no liability whatsoever for damage to persons or property that occurs or has occurred as a result of improper installation or maintenance, particularly if the safety instructions and other points to note listed are not or have not been observed in full.

WARNING AND HAZARD NOTICES

Improper mounting or use can lead to accidents and serious injuries.

www.frostdenmark.com

Bavne Alle 32, 8370 Hadsten, Denmark

E-mail: info@frost.dk • Phone: (+45) 87 61 00 32

We are also to be found as frostdenmark on Facebook,
Instagram, Pinterest and LinkedIn

