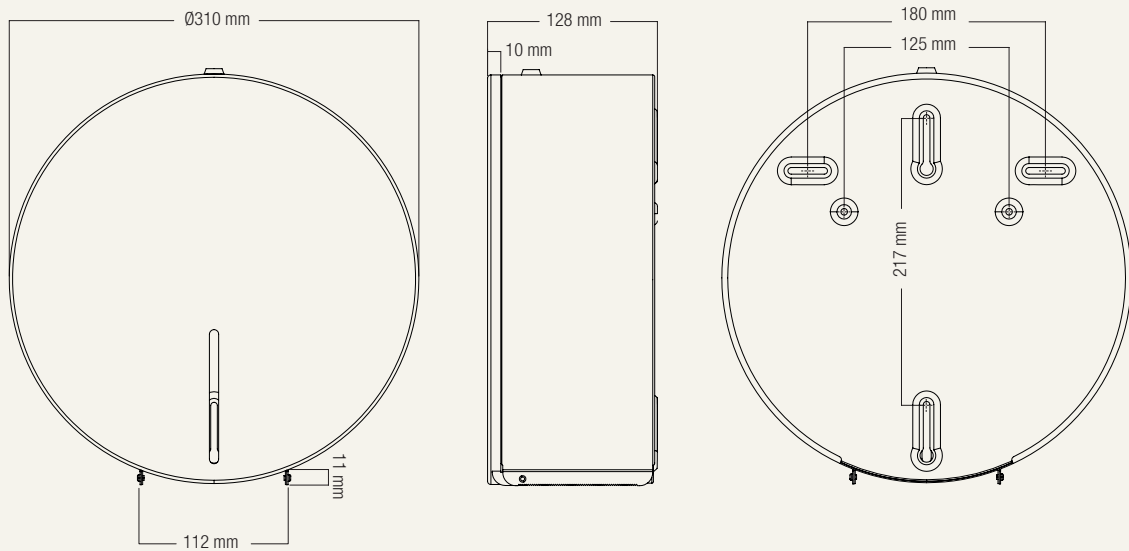


TOILET ROLL HOLDER 1972

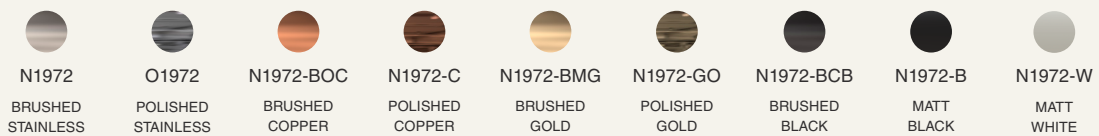
DESIGNED BY BØNNELYCKE MDD

PRODUCT DETAILS, TECHNICAL DETAILS
AND FITTING INSTRUCTIONS



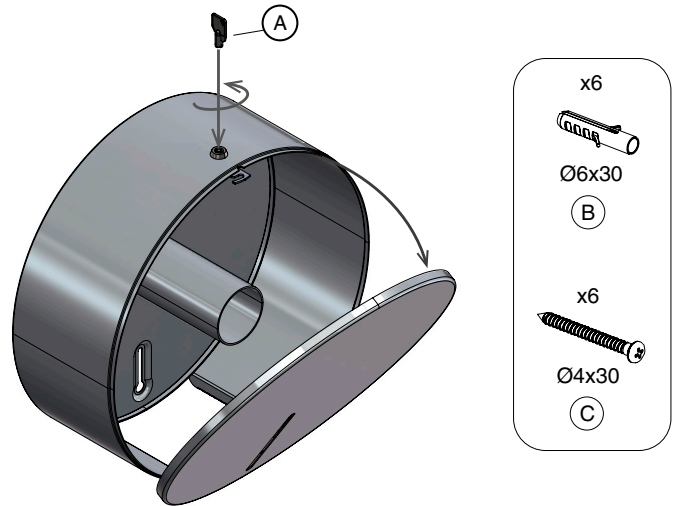
MATERIAL: STAINLESS STEEL

AVAILABLE IN THE NINE FROST FINISHES:

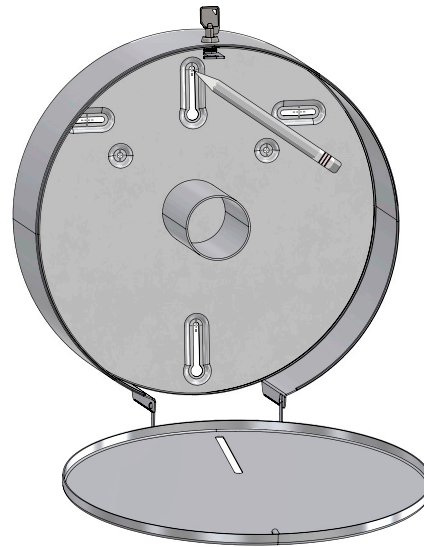


MOUNTING

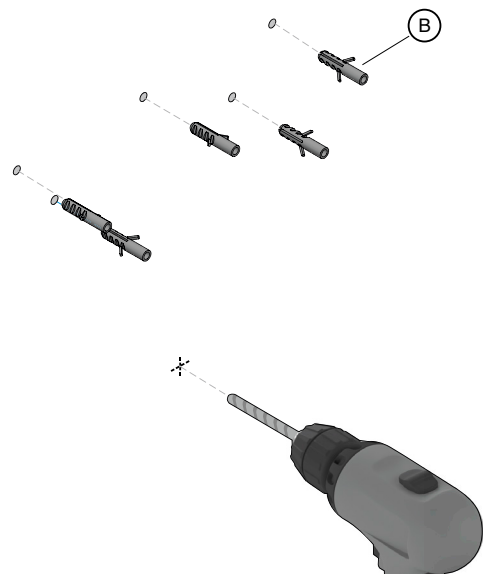
- 1 Use the enclosed key (A) to open the front lid.



- 2 Place the dispenser in the desired position and mark the screw holes as illustrated.

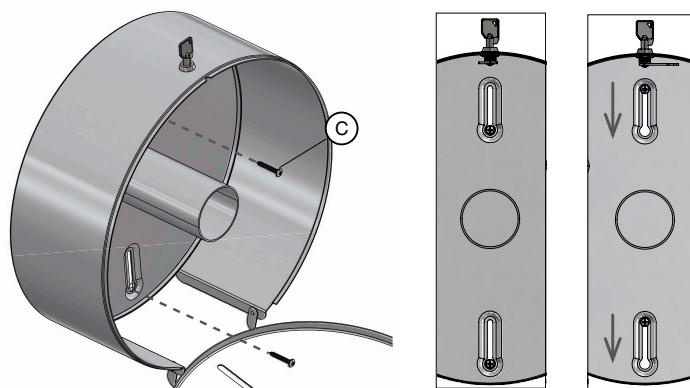


- 3 Drill the marked holes using a 6 mm drill bit and insert the enclosed Ø6x30 mm wall plugs (B).

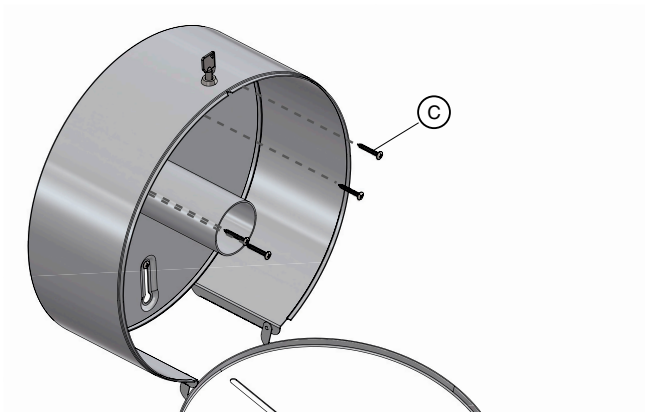


- 4 Use 2 of the enclosed 4x30 mm screws (C) to secure the toilet roll holder to the wall using a PH2 bit.

After securing, slide the toilet roll holder down and tighten the screws with the PH2 bit, as illustrated.



- 5 Use the remaining 4 4x30 mm screws (C) to fully secure the toilet roll holder to the wall.



- 6 Now, insert the jumbo paper and close the front lid with the enclosed key (A).

Jumbo Paper (N1972-2):

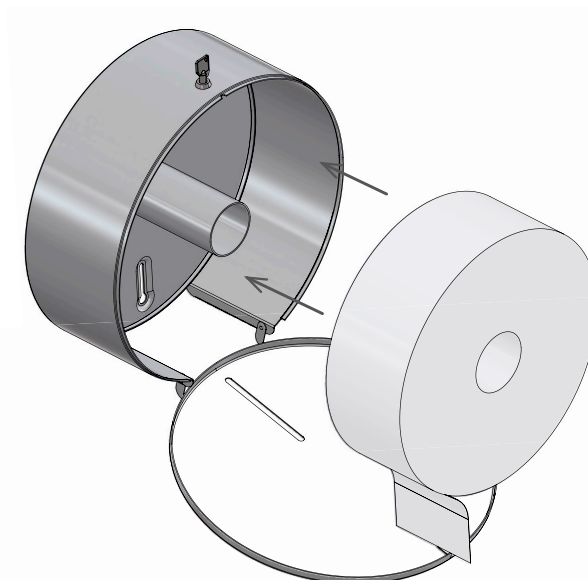
Double layered paper

Diameter: Ø270 mm

Projection: 95 mm

Paper length: 36000 mm

(The paper is purchased separately on frostdenmark.com)



CLEANING AND MAINTENANCE

Surfaces should be cleaned with a microfiber cloth, glass cleaner or other non abrasive and gentle agents.

ATTENTION:

Never use solvents or aggressive household cleaners like bleach, acids (e.g. descalers) or ammonia-based bathroom cleaner to clean the product. Steel wool and hard brushes can permanently damage the surface of the steel.

EXCLUSION OF LIABILITY

FROST accepts no liability whatsoever for damage to persons or property that occurs or has occurred as a result of improper installation or maintenance, particularly if the safety instructions and other points to note listed are not or have not been observed in full.

WARNING AND HAZARD NOTICES

Improper mounting or use can lead to accidents and serious injuries.

www.frostdenmark.com

Bavne Alle 32, 8370 Hadsten, Denmark

E-mail: info@frost.dk • Phone: (+45) 87 61 00 32

We are also to be found as frostdenmark on Facebook,
Instagram, Pinterest and LinkedIn

