

**FROST**  
DENMARK

**NOVA2  
MADAM CLAMP**

Fitting instruction

N1973 » Brushed



O1973 » Polished



N1973-C » Polished Copper



N1973-GO » Polished Gold



N1973-B - Matt Black



N1973-W - Matt White



**Material:** Stainless steel, AISI 304

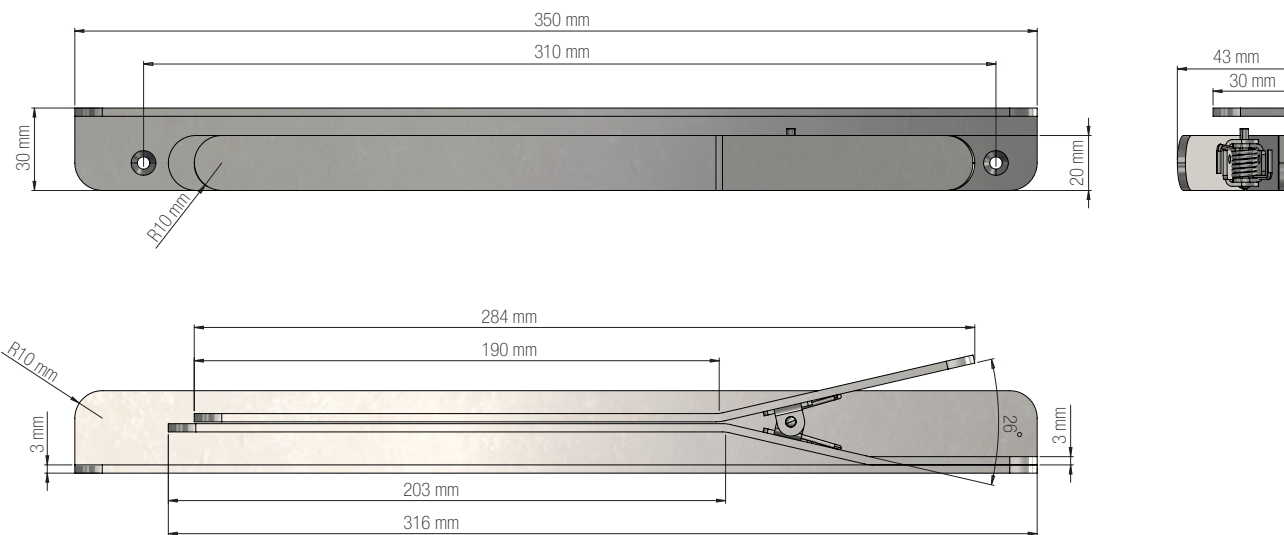
**Design:** Bønnelycke mdd.

**Manufacturer:** FROST A/S

Bavne Alle 32, DK-8370 Hadsten

[www.frostdenmark.com](http://www.frostdenmark.com)

**MADAM CLAMP**



**Exclusion of liability**

FROST accepts no liability whatsoever for damage to persons or property that occurs or has occurred as a result of improper installation or maintenance, particularly if the safety instructions and other points to note listed are not or have not been observed in full.

**Warning and hazard notices**

Improper mounting or use can lead to accidents and serious injuries.

**Cleaning and maintenance**

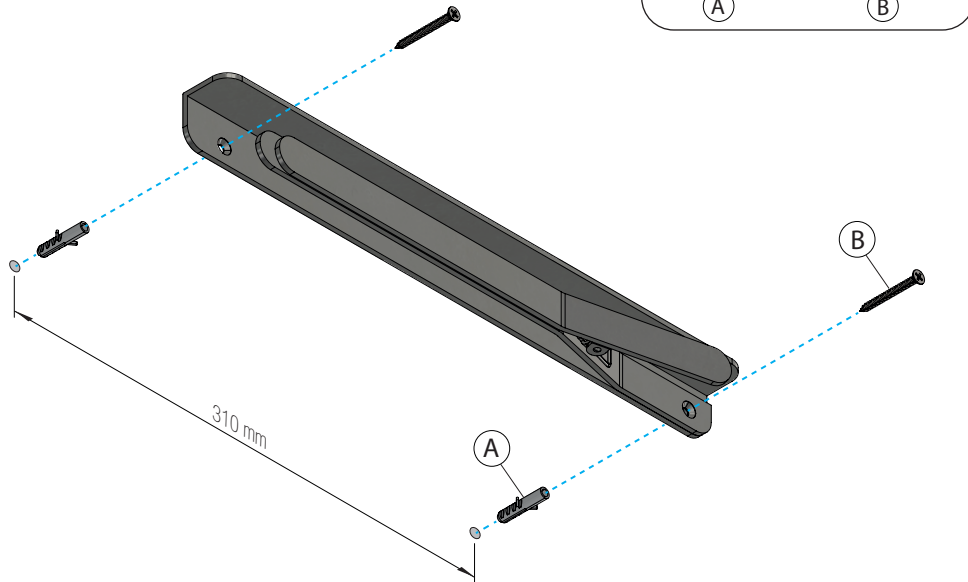
Stainless steel surfaces should be cleaned with a microfiber cloth, glass cleaner or other non abrasive and gentle agents.

**Attention**

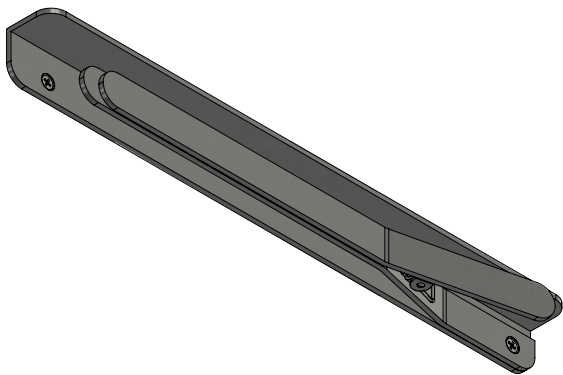
Never use solvents or aggressive household cleaners like bleach, acids (e.g. descalers) or ammonia-based bathroom cleaner to clean the product. Steel wool and hard brushes can permanently damage the surface of the steel.

## FITTING INSTRUCTION

1.



2.



## LINER

The Madam Clamp is delivered with 5 black liners.

Additional Liners can be purchased on [www.frostdenmark.com](http://www.frostdenmark.com) N1973-Liner: 50 liners pr. roll

