

# FROST

DENMARK

NOVA2  
HYGIENE / WASTE BIN

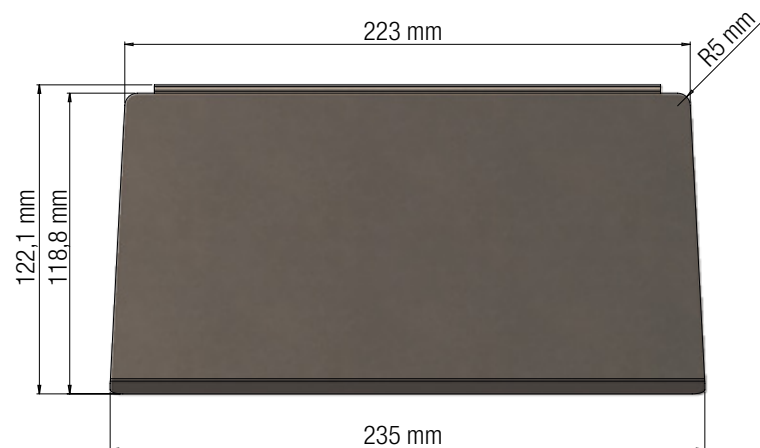
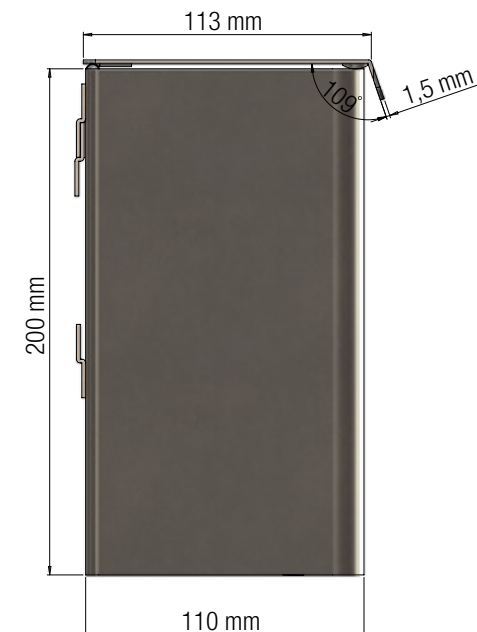
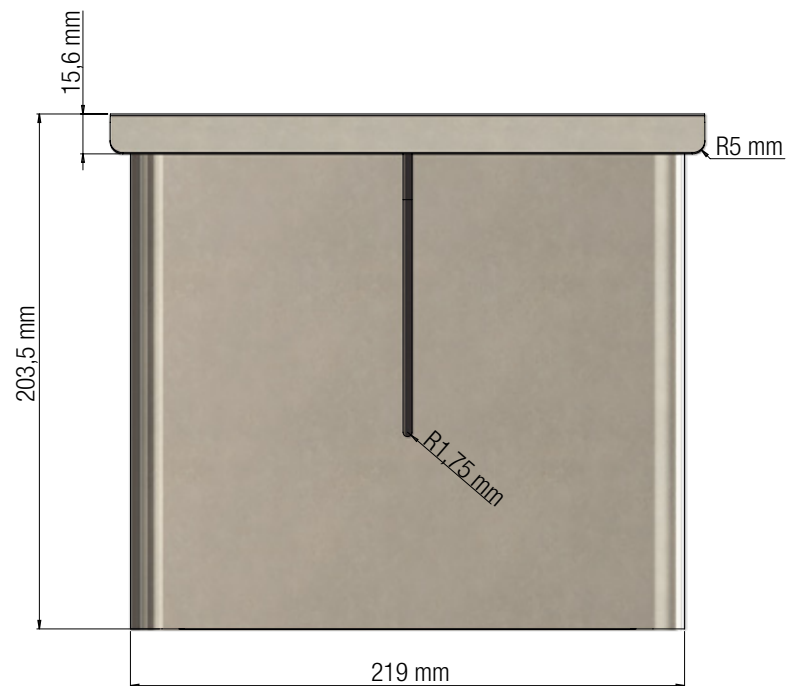
Fitting instruction

N1974



**Material:** Stainless steel, AISI 304  
**Design:** Bønnelycke mdd.  
**Manufacturer:** FROST A/S

HYGIENE / WASTE BIN, 3 ltr.



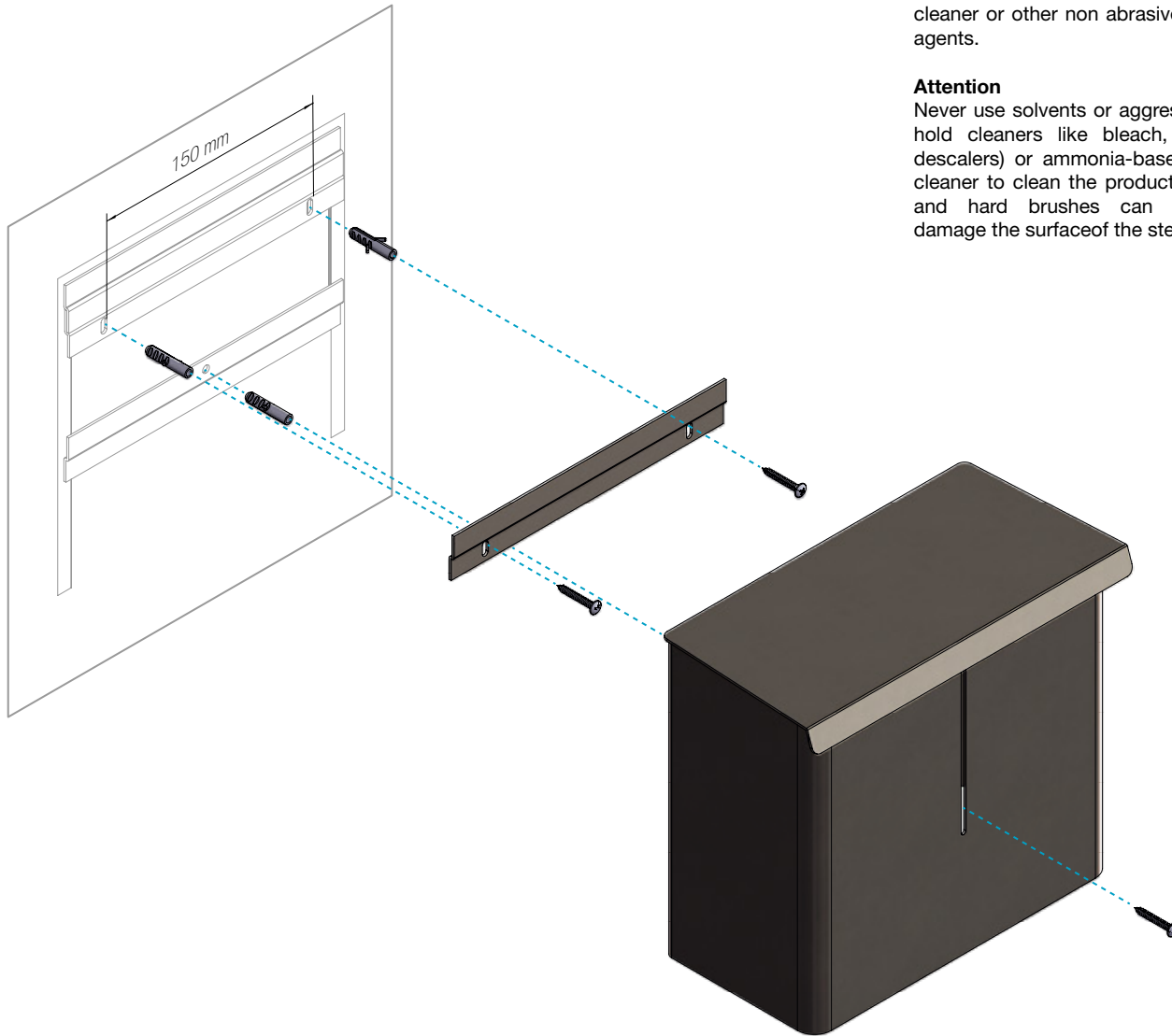
#### Exclusion of liability

FROST accepts no liability whatsoever for damage to persons or property that occurs or has occurred as a result of improper installation or maintenance, particularly if the safety instructions and other points to note listed are not or have not been observed in full.

#### Warning and hazard notices

Improper mounting or use can lead to accidents and serious injuries.

## FITTING INSTRUCTION

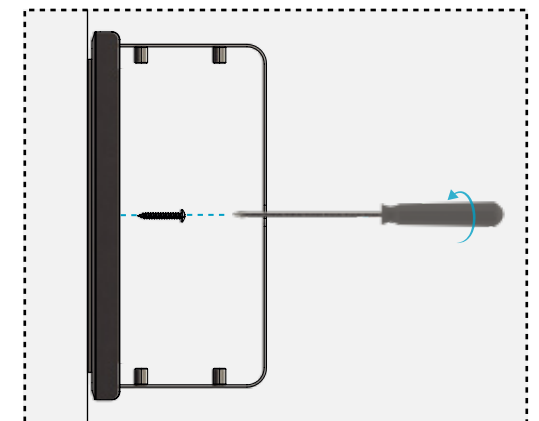
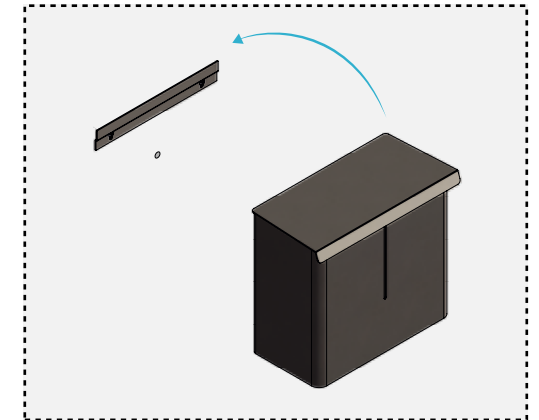
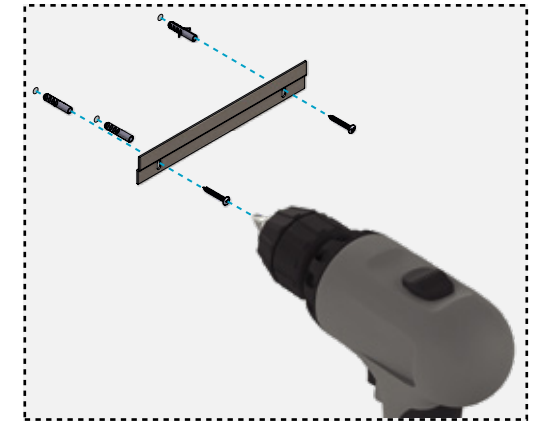


### Cleaning and maintenance

Stainless steel surfaces should be cleaned with a micro bre cloth, glass cleaner or other non abrasive and gentle agents.

### Attention

Never use solvents or aggressive household cleaners like bleach, acids (e.g. descalers) or ammonia-based bathroom cleaner to clean the product. Steel wool and hard brushes can permanently damage the surface of the steel.



**FROST**  
DENMARK

Bavne Allé 32E  
DK-8370 Hadsten  
+45 8761 0032  
info@frost.dk

WWW.FROST.DK

01974



N1974



N1974-C



N1974-BOC



N1974-GO



N1974-BMG



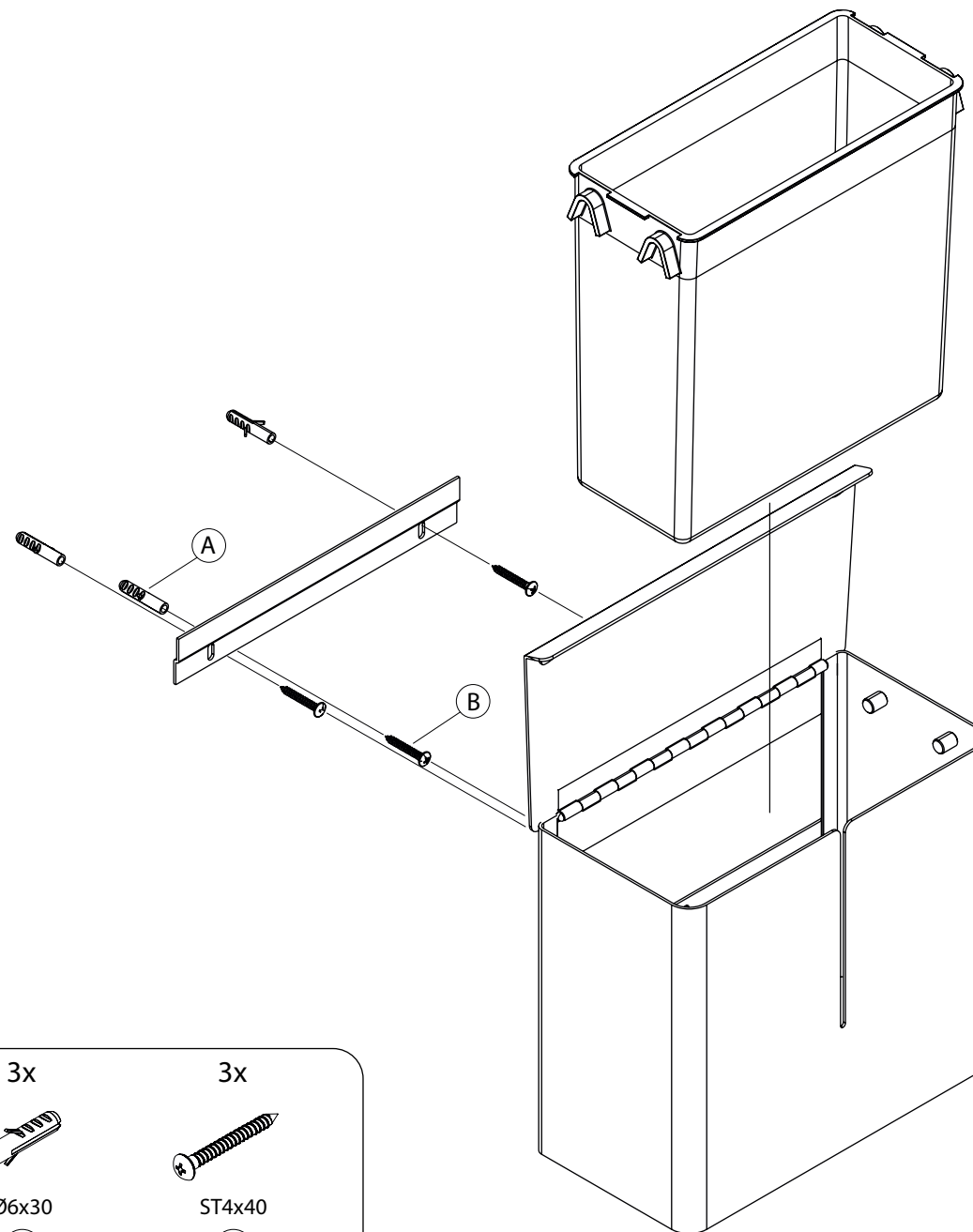
N1974-B



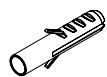
N1974-BCB



N1974-W



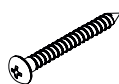
3x



Ø6x30

A

3x



ST4x40

B