

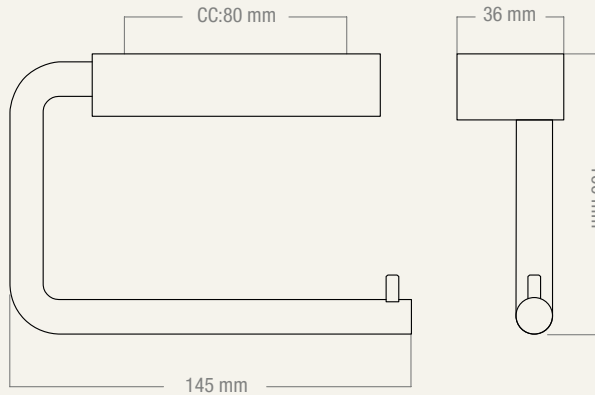
# FROST

D E N M A R K

## TOILET ROLL HOLDER 3014

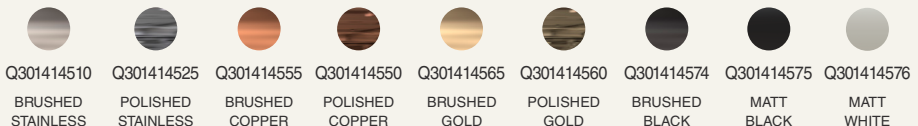
DESIGNED BY BØNNELYCKE MDD

PRODUCT DETAILS, TECHNICAL DETAILS  
AND FITTING INSTRUCTIONS



**MATERIAL: STAINLESS STEEL**

**AVAILABLE IN THE NINE FROST FINISHES:**

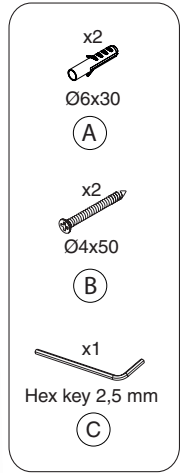




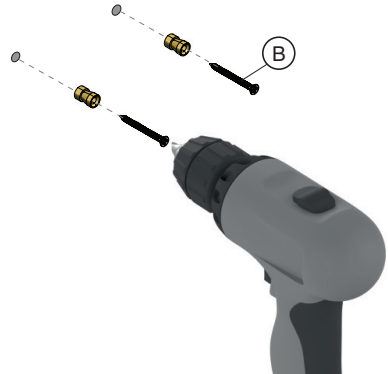
## MOUNTING

- 1 Place the Toilet Roll Holder in the desired position and mark the screw holes as illustrated, with a CC distance of 80 mm.

Drill the marked holes using a 6 mm drill bit and insert the enclosed  $\text{\O}6 \times 30$  mm wall plugs (A).

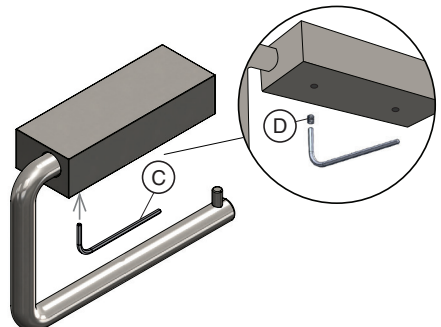


- 2 Secure the insert on the wall with the enclosed  $\text{\O}4 \times 50$  mm screws (B) and use a Phillips screwdriver with bit PH2 to tighten the screws.



- 3 Press the Toilet Roll Holder on to the insert.

Securely tighten the set screw (D) underneath with the hex key (C).



### **CLEANING AND MAINTENANCE**

Surfaces should be cleaned with a microfiber cloth, glass cleaner or other non abrasive and gentle agents.

### **ATTENTION:**

Never use solvents or aggressive household cleaners like bleach, acids (e.g. descalers) or ammonia-based bathroom cleaner to clean the product. Steel wool and hard brushes can permanently damage the surface of the steel.

### **EXCLUSION OF LIABILITY**

FROST accepts no liability whatsoever for damage to persons or property that occurs or has occurred as a result of improper installation or maintenance, particularly if the safety instructions and other points to note listed are not or have not been observed in full.

### **WARNING AND HAZARD NOTICES**

Improper mounting or use can lead to accidents and serious injuries.

**[www.frostdenmark.com](http://www.frostdenmark.com)**

Bavne Alle 32, 8370 Hadsten, Denmark

E-mail: [info@frost.dk](mailto:info@frost.dk) • Phone: (+45) 87 61 00 32

We are also to be found as frostdenmark on Facebook,  
Instagram, Pinterest and LinkedIn

