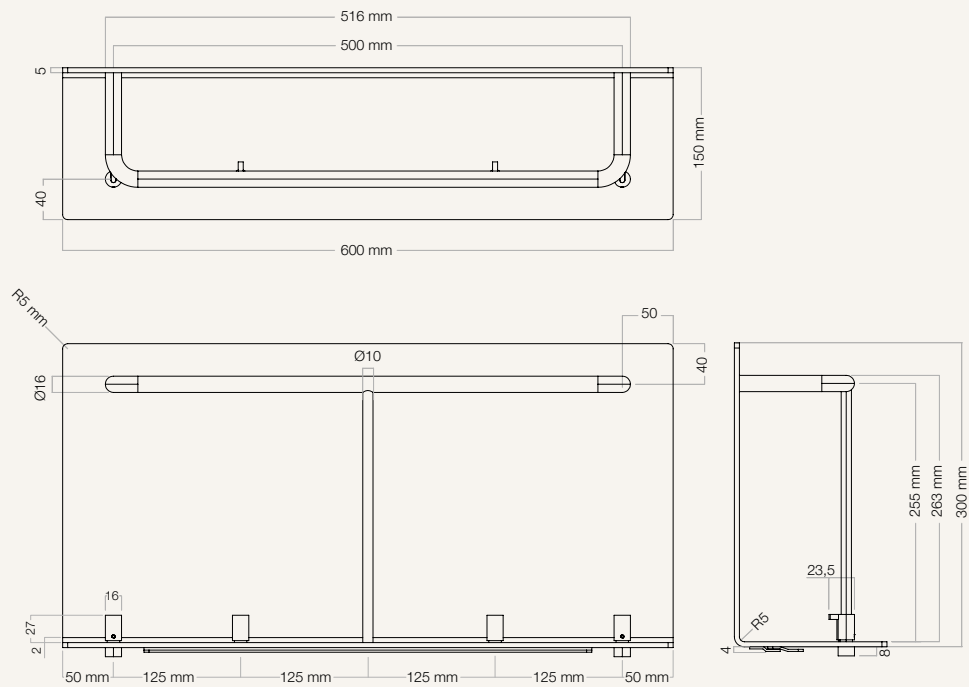


COAT RACK 4003

DESIGNED BY BØNNELYCKE MDD

PRODUCT DETAILS, TECHNICAL DETAILS
AND FITTING INSTRUCTIONS



MATERIAL: ALUMINIUM / STAINLESS STEEL

AVAILABLE IN COMBINATIONS OF THE FROST FINISHES:



U4003-B

MATT BLACK /
POLISHED STAINLESS



U4003-CB

MATT BLACK /
POLISHED COPPER



U4003-GB

MATT BLACK /
POLISHED GOLD



U4003-BB

MATT BLACK /
POLISHED BLACK



U4003-W

MATT WHITE /
POLISHED STAINLESS



U4003-CW

MATT WHITE /
POLISHED COPPER



U4003-GW

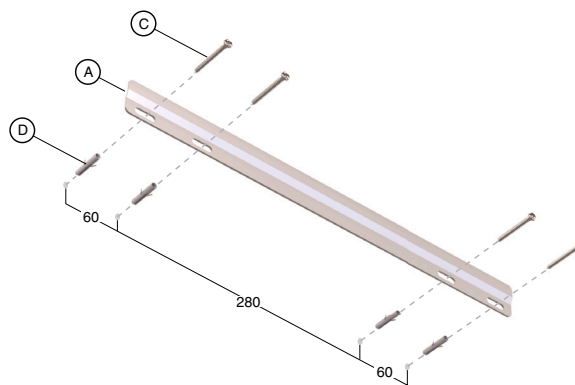
MATT WHITE /
POLISHED GOLD

MOUNTING

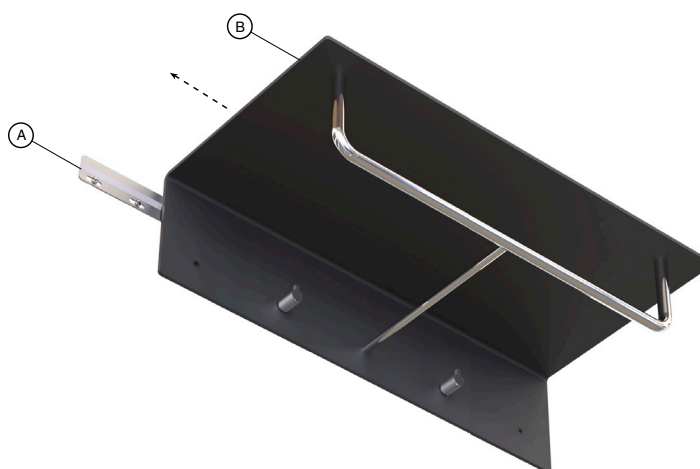
Mark the placement of the screw holes for mounting the Coat Rack on the wall.

- 1 Drill out the marked holes with a 8 mm drill bit and insert the enclosed $\text{\O}8 \times 38$ mm wall plugs **(C)**

Secure the mounting bar **(A)** onto the wall with the $\text{\O}5 \times 40$ screws **(D)**.



- 2 Slide the Coat Rack **(B)** onto the mounting bar **(A)**.



- 3 Mark the placement of two screw holes as illustrated. Then slide the coat rack **(B)** off the mounting bar **(A)**.



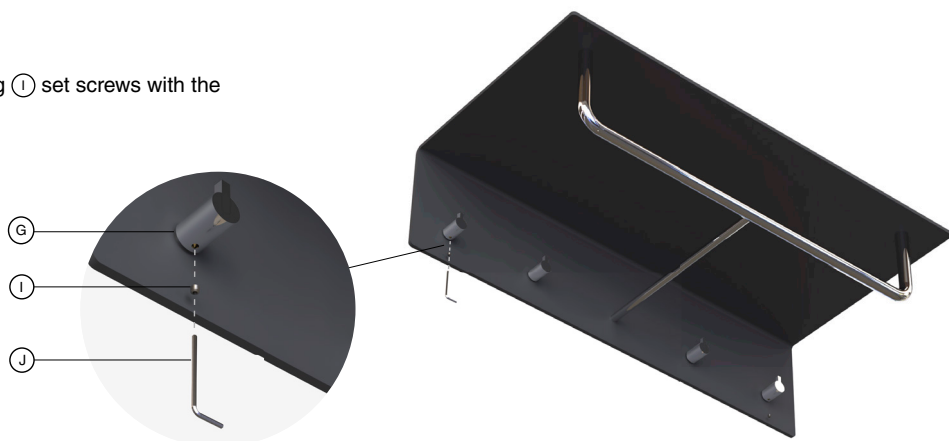
-
- 4 Drill the marked holes and insert the two Ø6x30 wall plugs (E). Then slide the coat rack (B) back on to the mounting bar (A).



-
- 5 Secure the coat rack with the (H) brass inserts and Ø4x39 screws (F). Place the (G) hooks on the brass inserts.



-
- 6 Secure the (G) hooks by tightening (I) set screws with the allen key (J).



CLEANING AND MAINTENANCE

Surfaces should be cleaned with a microfiber cloth, glass cleaner or other non abrasive and gentle agents.

ATTENTION:

Never use solvents or aggressive household cleaners like bleach, acids (e.g. descalers) or ammonia-based bathroom cleaner to clean the product. Steel wool and hard brushes can permanently damage the surface of the steel.

EXCLUSION OF LIABILITY

FROST accepts no liability whatsoever for damage to persons or property that occurs or has occurred as a result of improper installation or maintenance, particularly if the safety instructions and other points to note listed are not or have not been observed in full.

WARNING AND HAZARD NOTICES

Improper mounting or use can lead to accidents and serious injuries.

www.frostdenmark.com

Bavne Alle 32, 8370 Hadsten, Denmark

E-mail: info@frost.dk • Phone: (+45) 87 61 00 32

We are also to be found as frostdenmark on Facebook,
Instagram, Pinterest and LinkedIn

