

# FROST

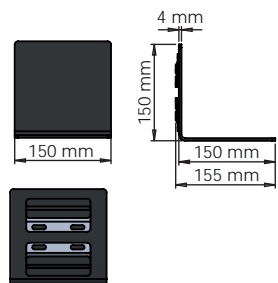
DENMARK

UNU SHELF SYSTEM  
HEIGHT 150

www.frostdenmark.com

Mounting: the shelves can be turned upside down

U4020



### WARNING!

Prior to mounting the product please assess the suitability of the wall to ensure that it will withstand the forces generated. Use screws and plugs suitable for your walls and the intended load. If you are uncertain, seek professional advice.

### EXCLUSION OF LIABILITY

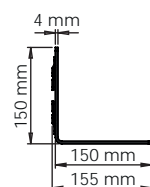
FROST accepts no liability whatsoever for damage to persons or property that occurs or has occurred as a result of improper installation or maintenance, particularly if the safety instructions and other points to note listed are not or have not been observed in full.

Improper mounting or use can lead to accidents and serious injuries or damage to property.

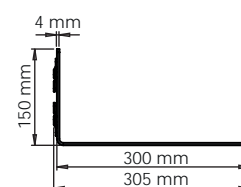
U4021, U4023 & U4036



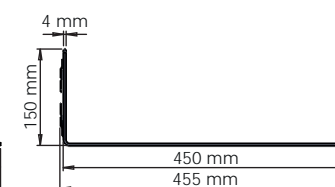
U4021



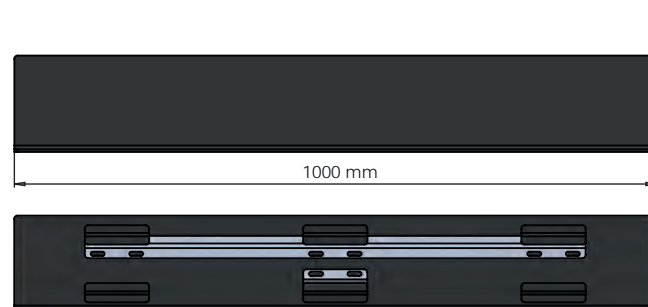
U4023



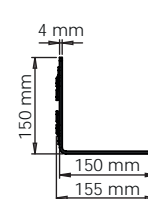
U4036



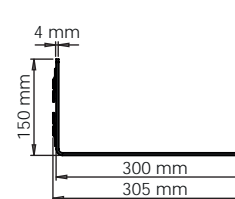
U4022, U4024 & U4037



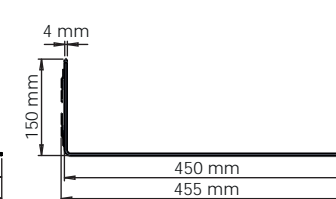
U4022



U4024

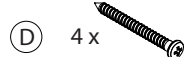
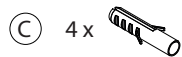
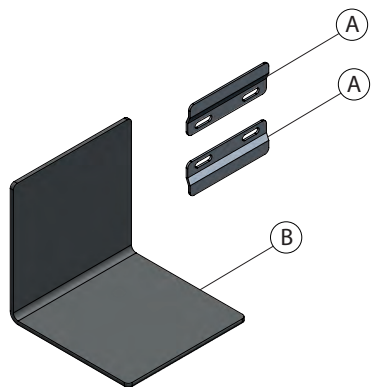


U4037



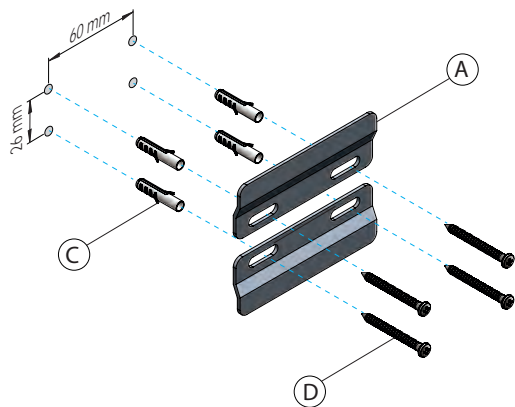
**Material:** Aluminium  
**Design:** Bønnelycke mdd  
**Manufacturer:** FROST A/S  
Bavne Alle 32, DK-8370 Hadsten

UNU SHELF - U4020



Please use screws and plugs suitable for your walls and the intended load.

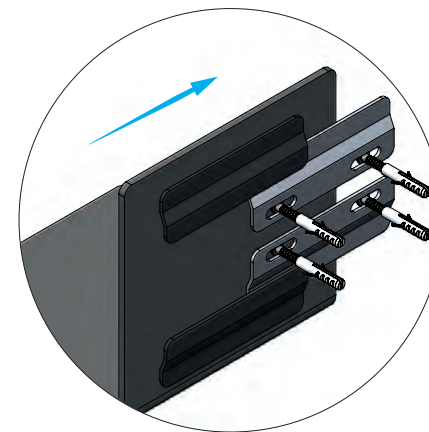
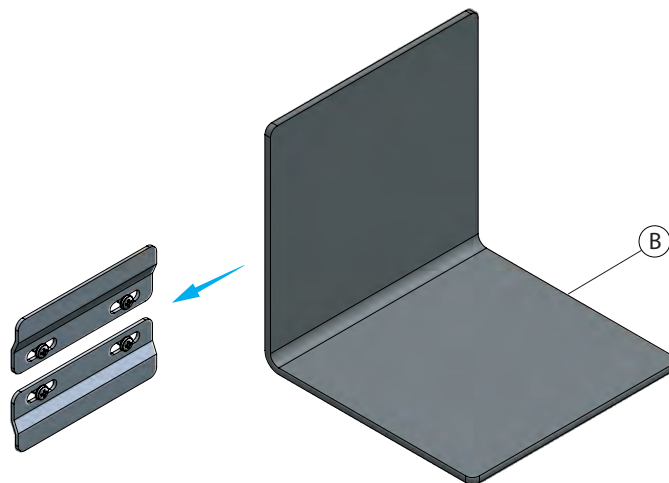
STEP 1



The lower bracket should only be mounted if the shelf is installed in public areas with risk of people removing the shelf.

STEP 2

Mounting: the shelves can be turned upside down



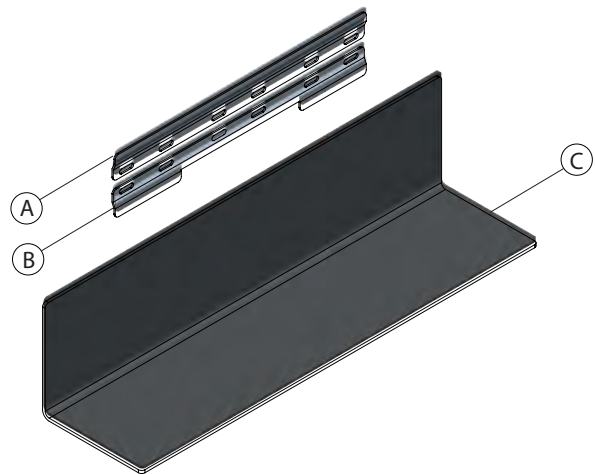
STEP 3



**CLEANING AND MAINTENANCE**  
Wipe down with a **Clean Soft Damp Cloth**,  
Dry with a **Clean Soft Dry Cloth**.

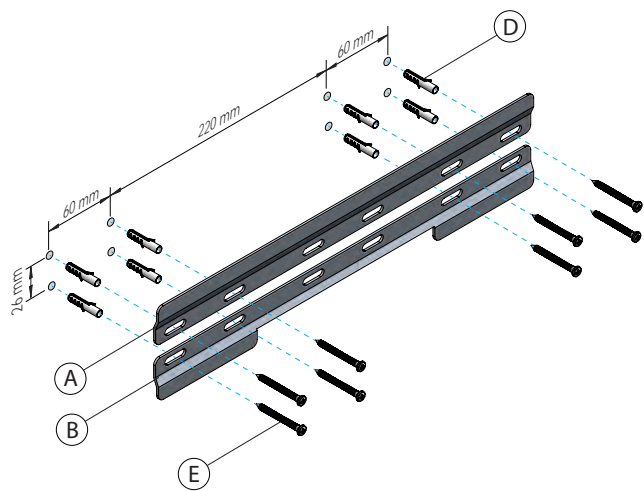
**ATTENTION:**  
**DO NOT** use soap, chemical cleaning detergents, bleach or abrasive cleaning materials. Steel wool and hard brushes can permanently damage the surface of the steel.

UNU SHELF - U4021, U4023 & U4036



Please use screws and plugs suitable for your walls and the intended load.

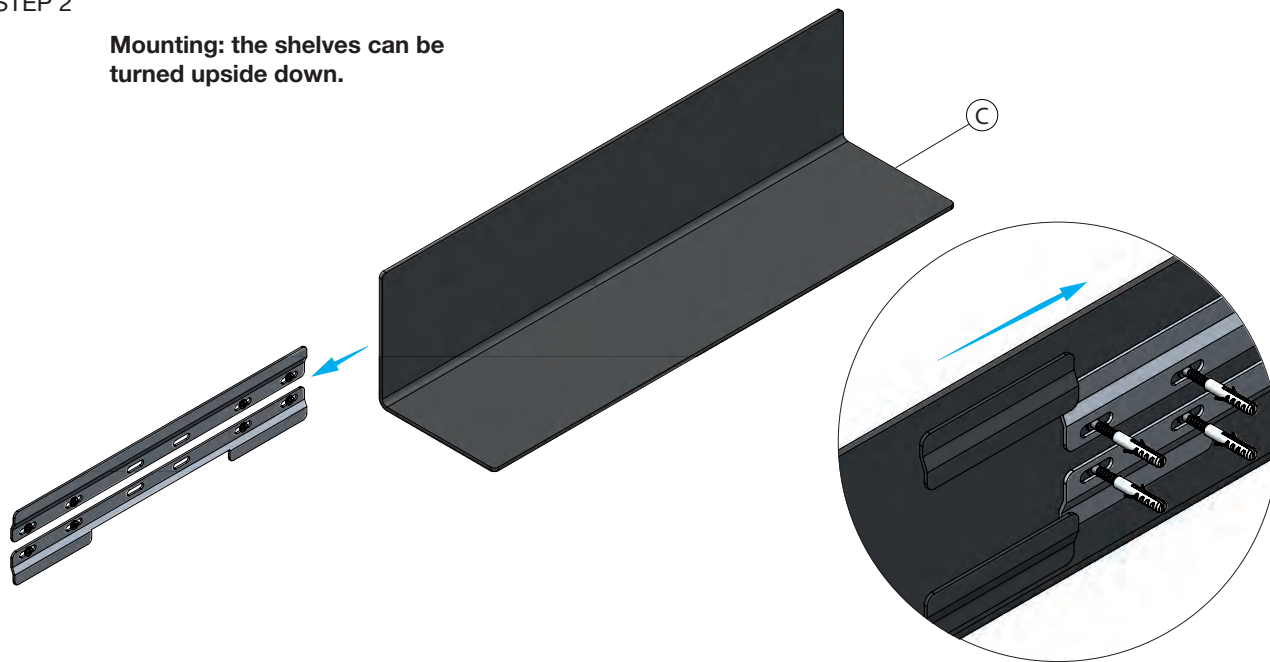
STEP 1



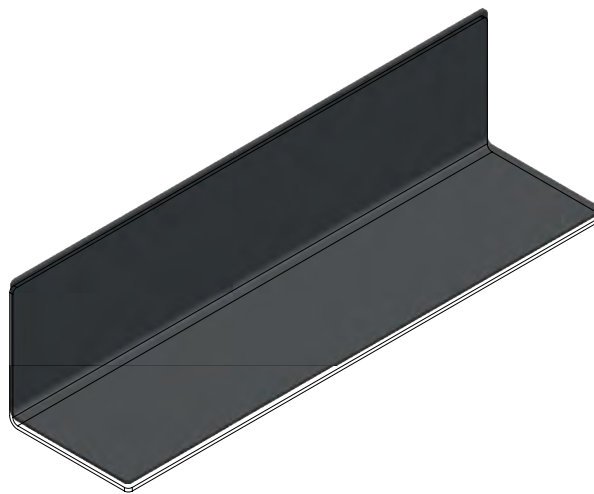
The lower bracket should only be mounted if the shelf is installed in public areas with risk of people removing the shelf.

STEP 2

Mounting: the shelves can be turned upside down.



STEP 3



**CLEANING AND MAINTENANCE**  
Wipe down with a **Clean Soft Damp Cloth**,  
Dry with a **Clean Soft Dry Cloth**.

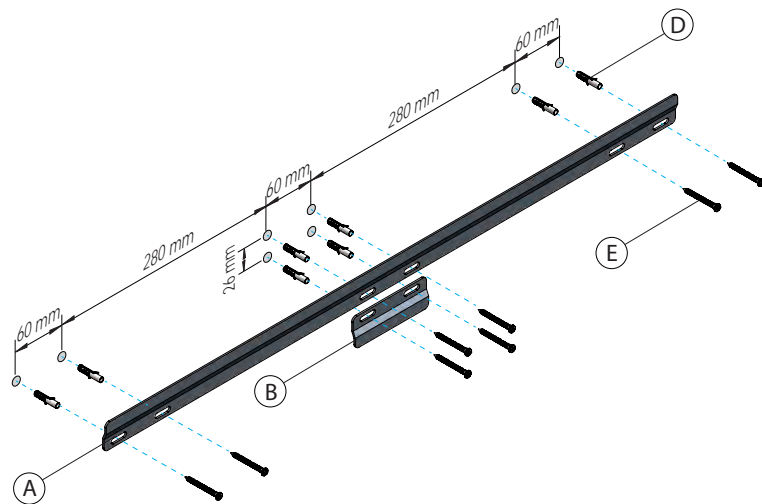
**ATTENTION:**  
**DO NOT** use soap, chemical cleaning detergents, bleach or abrasive cleaning materials. Steel wool and hard brushes can permanently damage the surface of the steel.

UNU SHELF - U4022, U4024 & U4037



Please use screws and plugs suitable for your walls and the intended load.

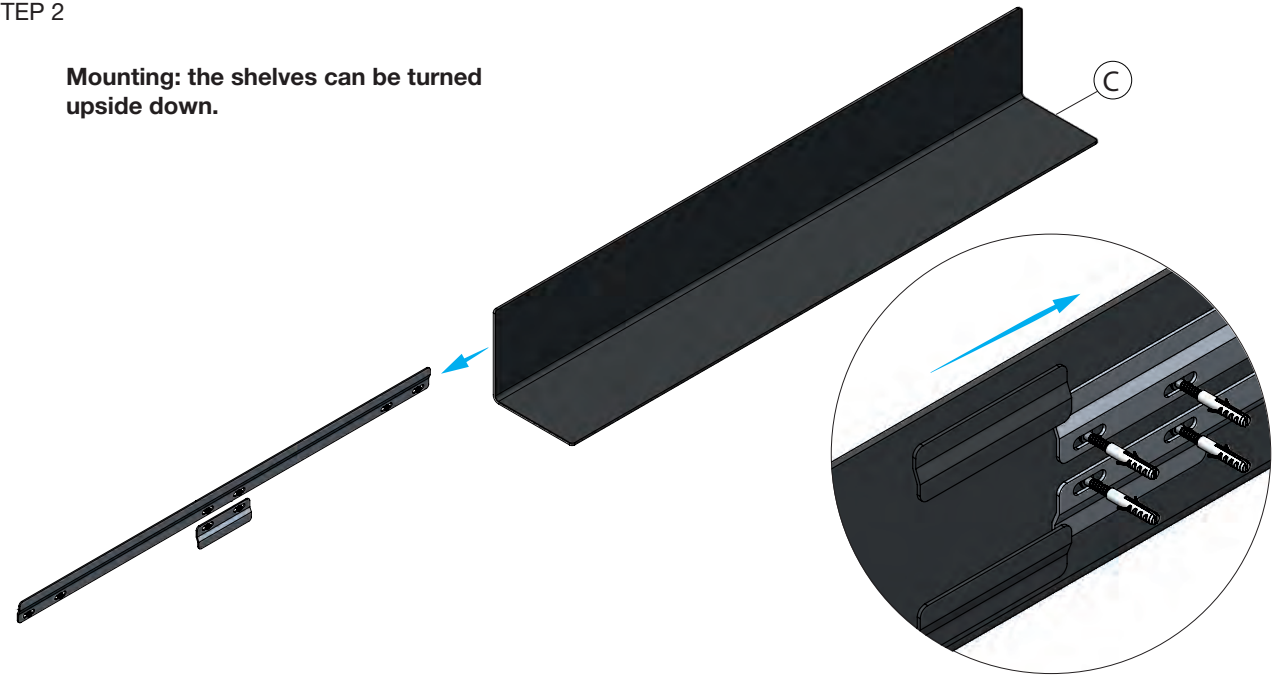
STEP 1



The lower bracket should only be mounted if the shelf is installed in public areas with risk of people removing the shelf.

STEP 2

**Mounting:** the shelves can be turned upside down.



STEP 3



**CLEANING AND MAINTENANCE**  
Wipe down with a **Clean Soft Damp Cloth**,  
Dry with a **Clean Soft Dry Cloth**.

**ATTENTION:**  
**DO NOT** use soap, chemical cleaning detergents, bleach or abrasive cleaning materials. Steel wool and hard brushes can permanently damage the surface of the steel.