

**FROST**  
DENMARK

UNU SHELF SYSTEM  
MAGAZINE SHELVES

www.frostdenmark.com

U4045-B



U4045-W



U4038-B



U4038-W



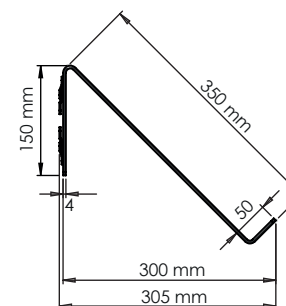
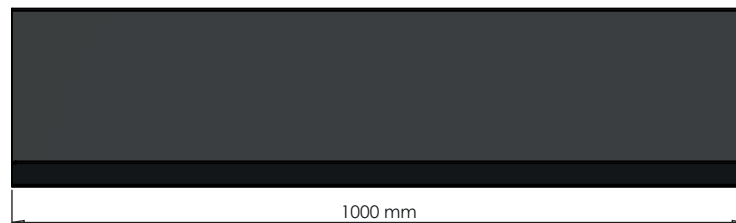
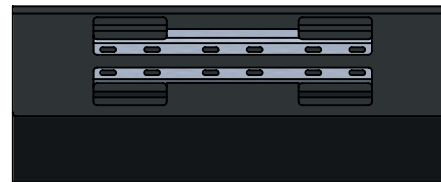
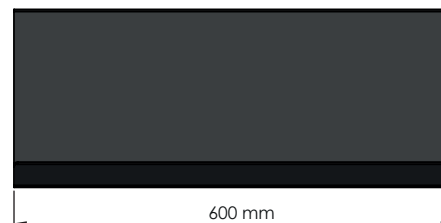
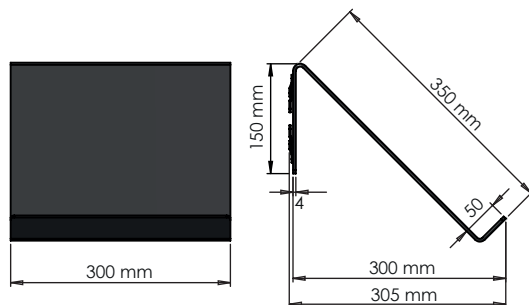
U4039-B



U4039-W



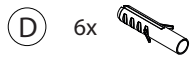
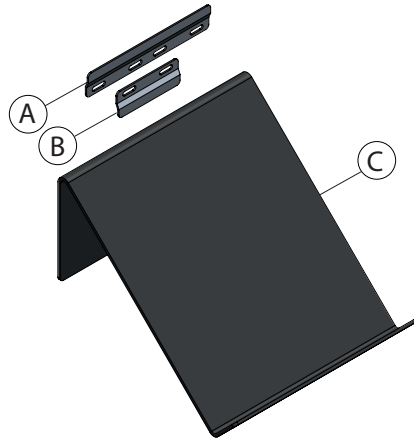
**Material:** Aluminium  
**Design:** Bønnelycke mdd  
**Manufacturer:** FROST A/S  
Bavne Alle 32, DK-8370 Hadsten



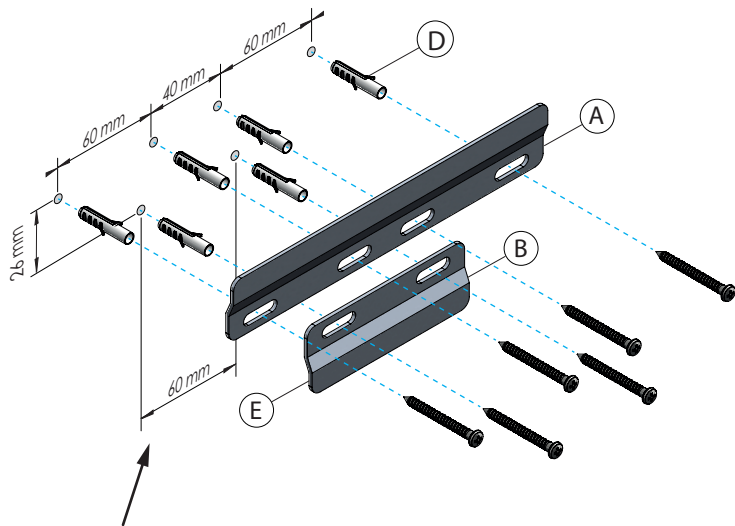
**Exclusion of liability**  
FROST accepts no liability whatsoever for damage to persons or property that occurs or has occurred as a result of improper installation or maintenance, particularly if the safety instructions and other points to note listed are not or have not been observed in full.

**Warning and hazard notices**  
Improper mounting or use can lead to accidents and serious injuries.

UNU MAGAZIN SHELF - U4045

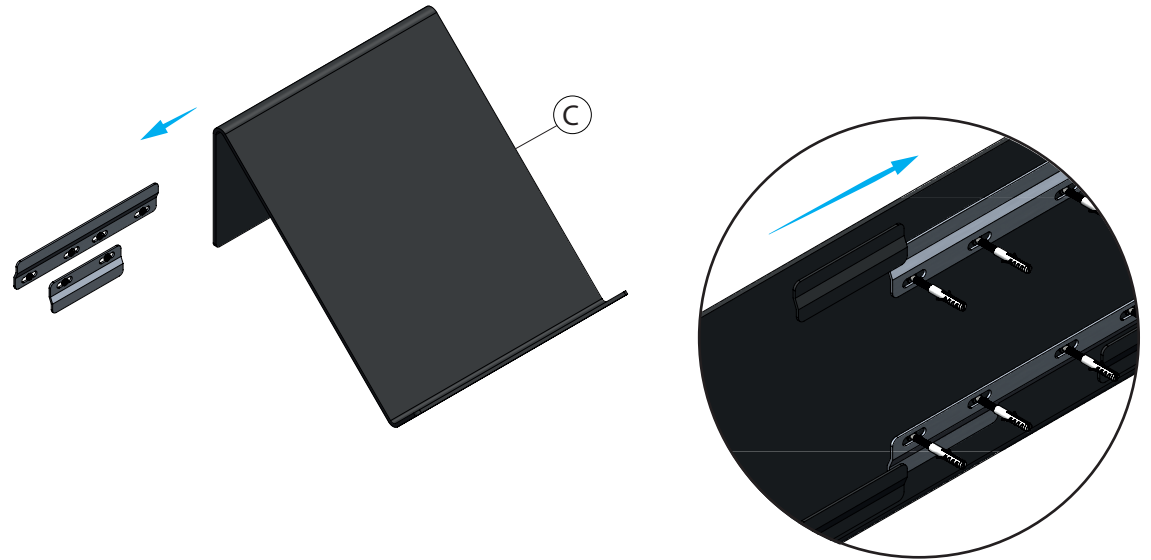


1

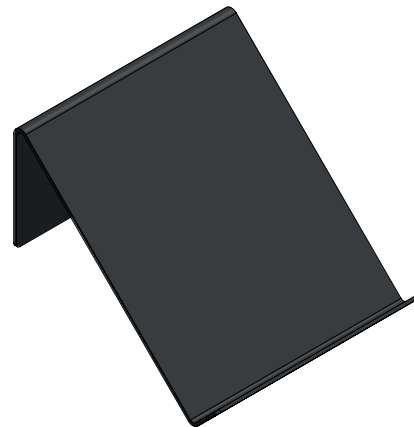


The lower bracket should only be mounted if the shelf is installed in a public area with risk of people removing the shelf.

2



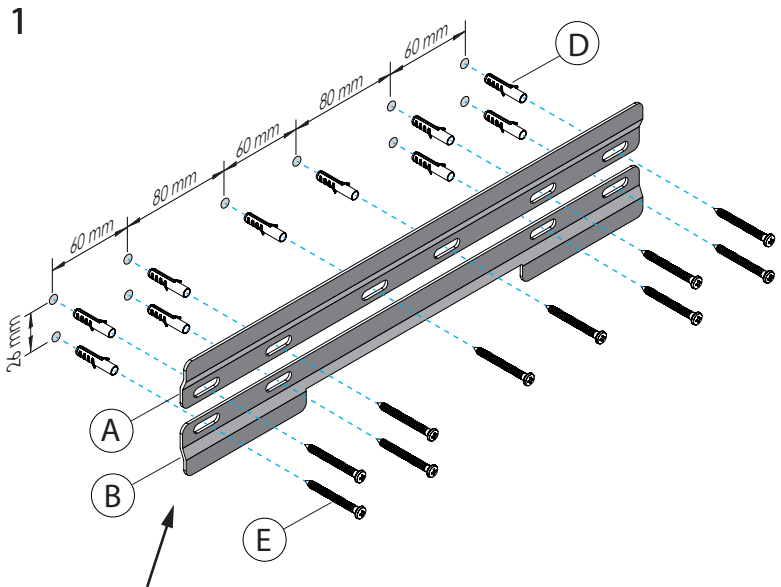
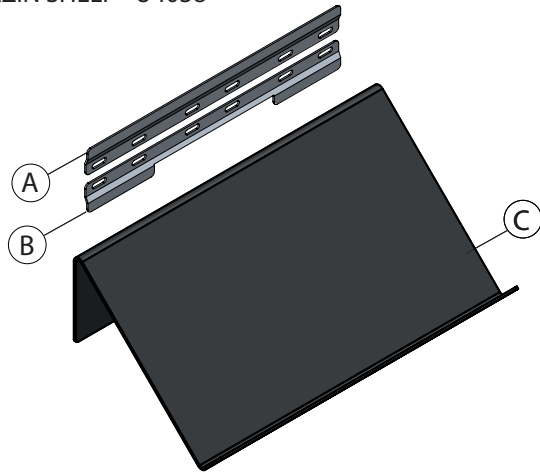
3



**Cleaning and maintenance**  
Surfaces should be cleaned with a microfibre cloth, glass cleaner or other non abrasive and gentle agents.

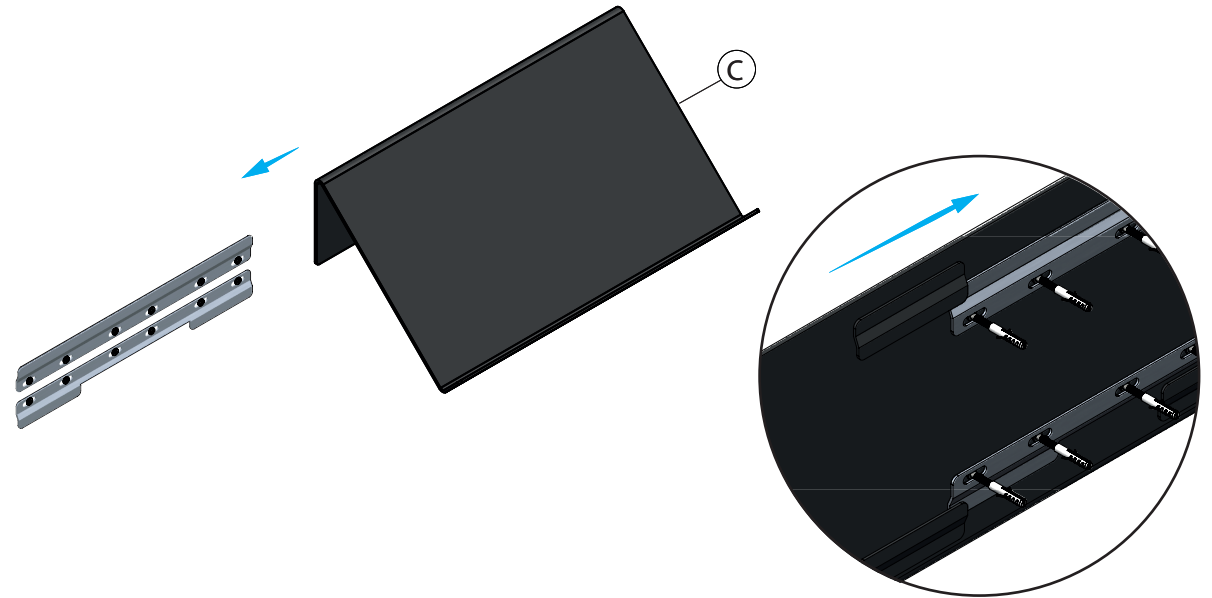
**Attention:**  
Never use solvents or aggressive household cleaners like bleach, acids (e.g. descalers) or ammonia-based bathroom cleaner to clean the product. Steel wool and hard brushes can permanently damage the surface of the steel.

UNU MAGAZIN SHELF - U4038

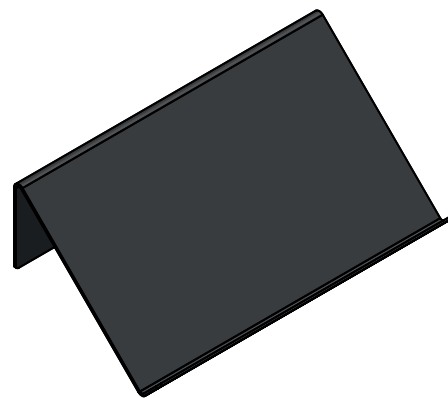


The lower bracket should only be mounted if the shelf is installed in a public area with risk of people removing the shelf.

2



3



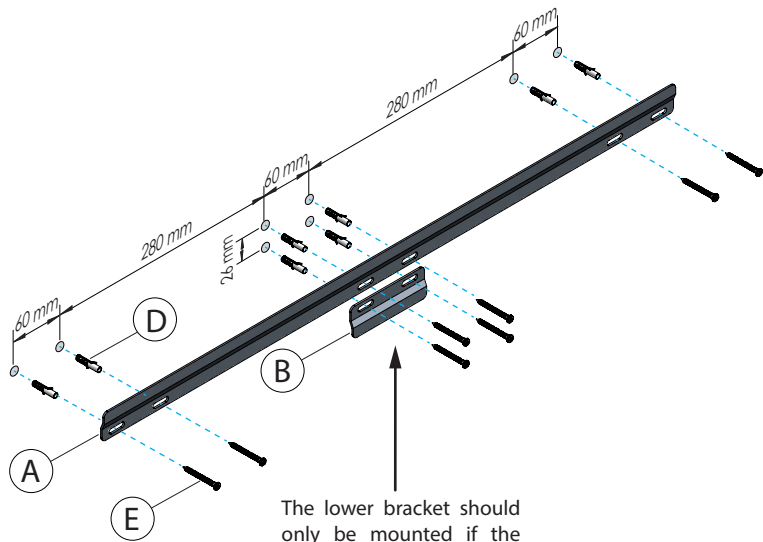
**Cleaning and maintenance**  
Surfaces should be cleaned with a microfibre cloth, glass cleaner or other non abrasive and gentle agents.

**Attention:**  
Never use solvents or aggressive household cleaners like bleach, acids (e.g. descalers) or ammonia-based bathroom cleaner to clean the product. Steel wool and hard brushes can permanently damage the surface of the steel.

UNU MAGAZIN SHELF - U4039

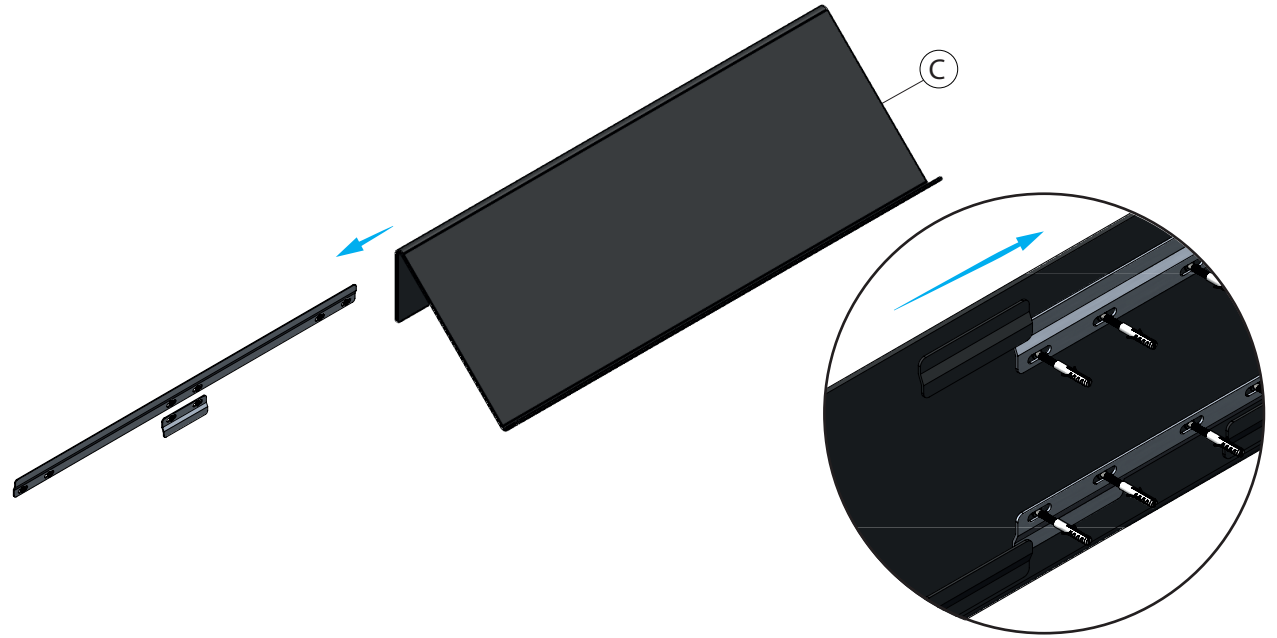


1



The lower bracket should only be mounted if the shelf is installed in a public area with risk of people removing the shelf.

2



3



**Cleaning and maintenance**  
Surfaces should be cleaned with a microfibre cloth, glass cleaner or other non abrasive and gentle agents.

**Attention:**  
Never use solvents or aggressive household cleaners like bleach, acids (e.g. descalers) or ammonia-based bathroom cleaner to clean the product. Steel wool and hard brushes can permanently damage the surface of the steel.