

FROST

DENMARK

UNU SHELF SYSTEM MAGAZINE SHELVES

Fitting instruction
Montageanleitung
Monteringsvejledning
Monteringsvægledning
Montage hanleiding
Manuel de montage

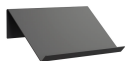
U4045-B



U4045-W



U4038-B



U4038-W



U4039-B

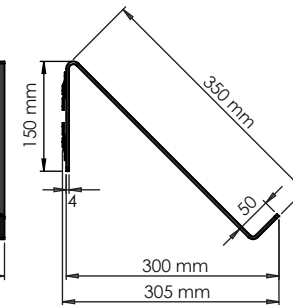
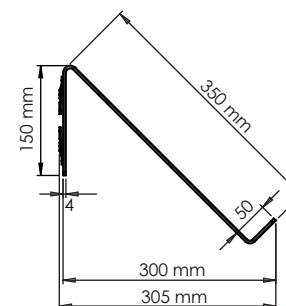
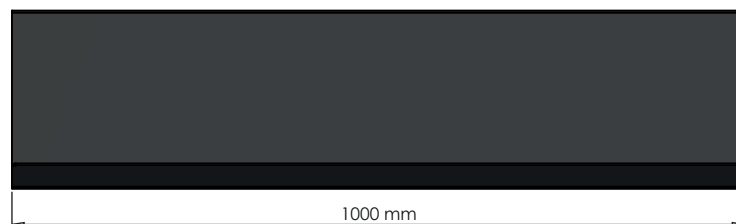
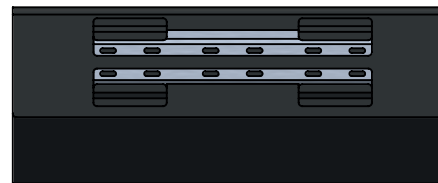
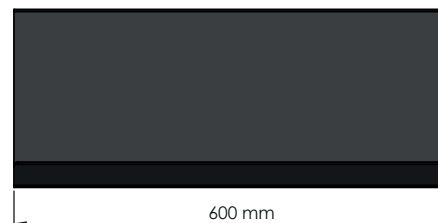
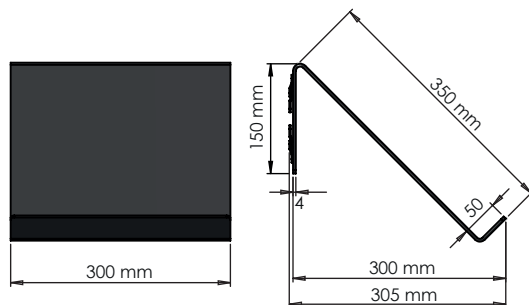


U4039-W



Material: Aluminium
Design: Bønnelycke mdd
Manufacturer: FROST A/S, Bavne 32,
DK-8370 Hadsten. www.frost.dk

UNU MAGAZINE SHELVES



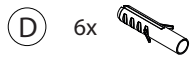
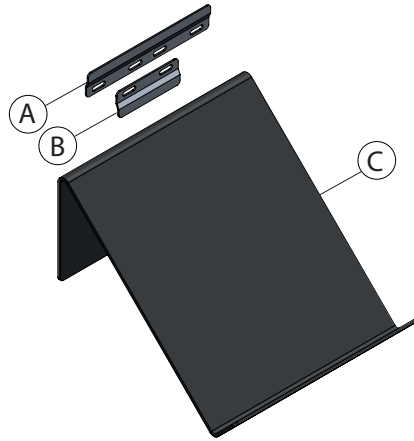
Exclusion of liability

FROST accepts no liability whatsoever for damage to persons or property that occurs or has occurred as a result of improper installation or maintenance, particularly if the safety instructions and other points to note listed are not or have not been observed in full.

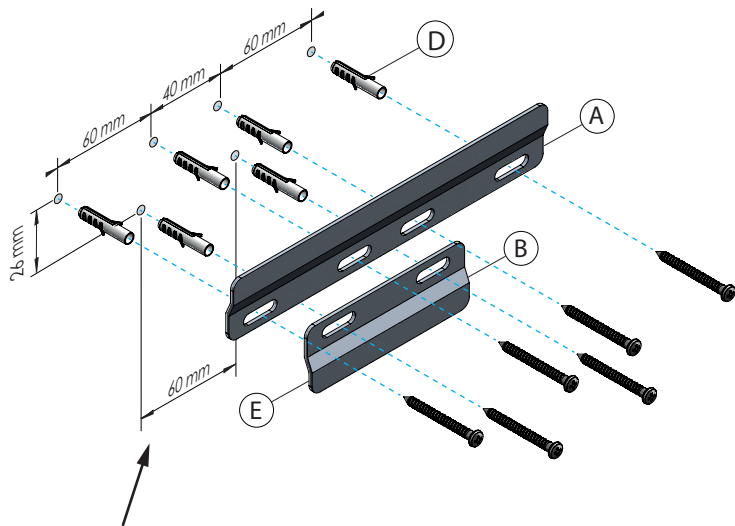
Warning and hazard notices

Improper mounting or use can lead to accidents and serious injuries.

UNU MAGAZIN SHELF - U4045

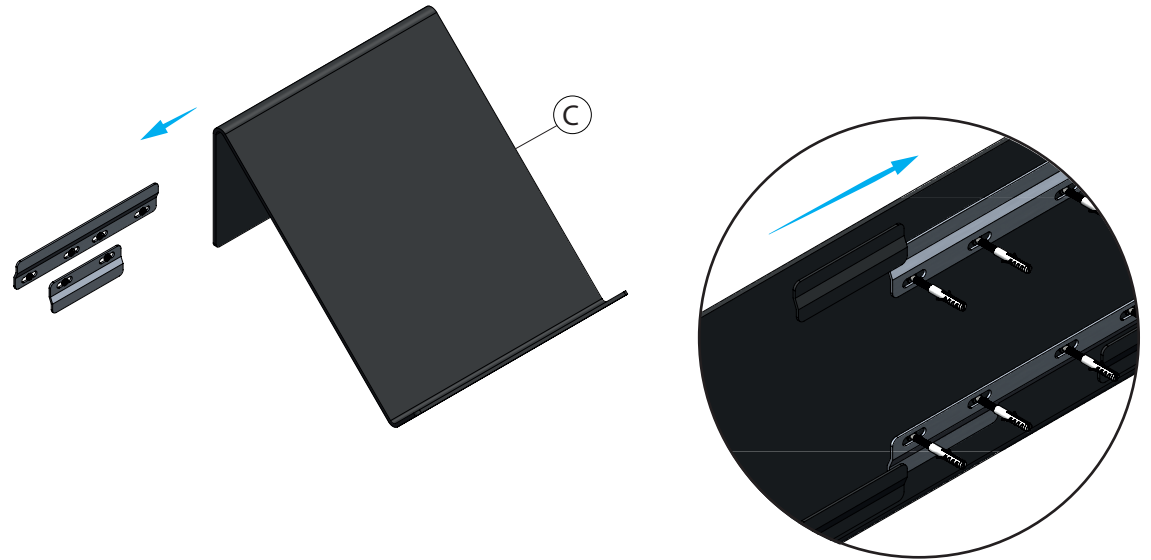


1

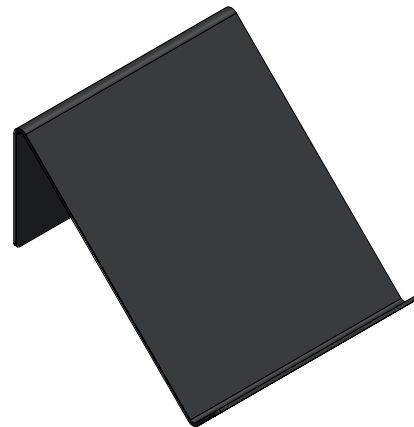


The lower bracket should only be mounted if the shelf is installed in a public area with risk of people removing the shelf.

2



3



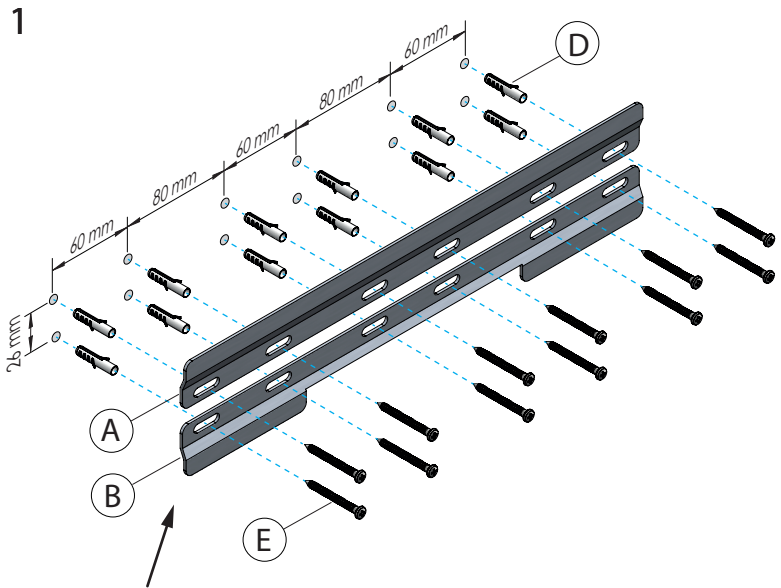
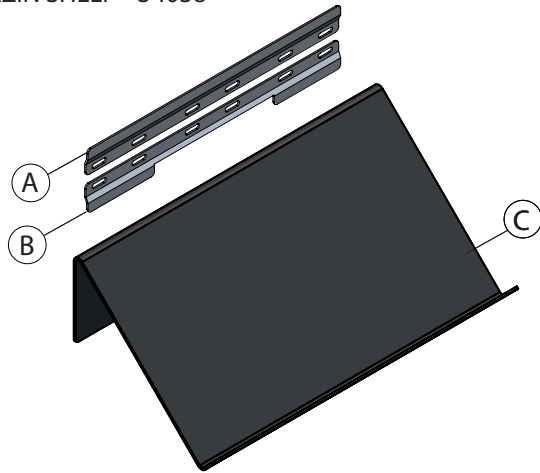
Cleaning and maintenance

Surfaces should be cleaned with a microfibre cloth, glass cleaner or other non abrasive and gentle agents.

Attention:

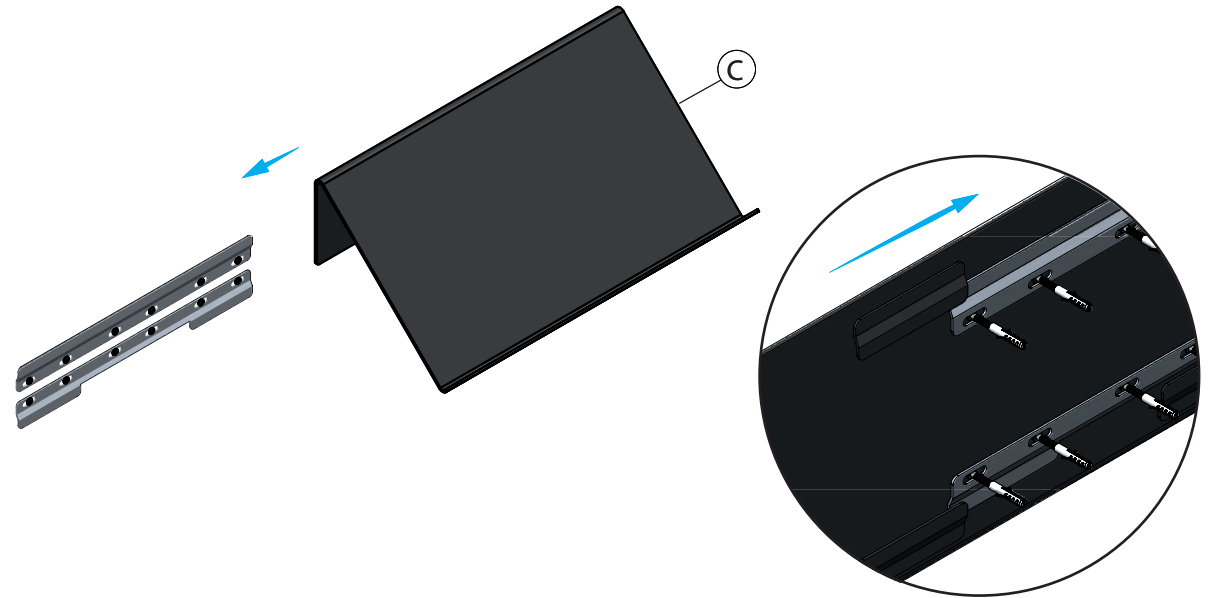
Never use solvents or aggressive household cleaners like bleach, acids (e.g. descalers) or ammonia-based bathroom cleaner to clean the product. Steel wool and hard brushes can permanently damage the surface of the steel.

UNU MAGAZIN SHELF - U4038

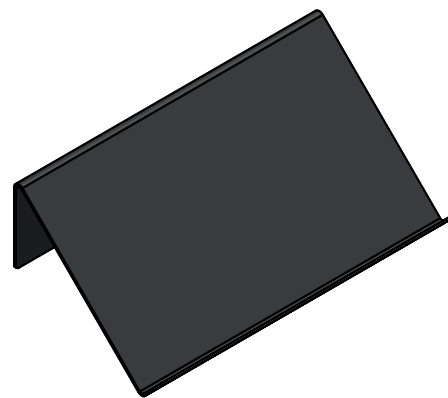


The lower bracket should only be mounted if the shelf is installed in a public area with risk of people removing the shelf.

2



3

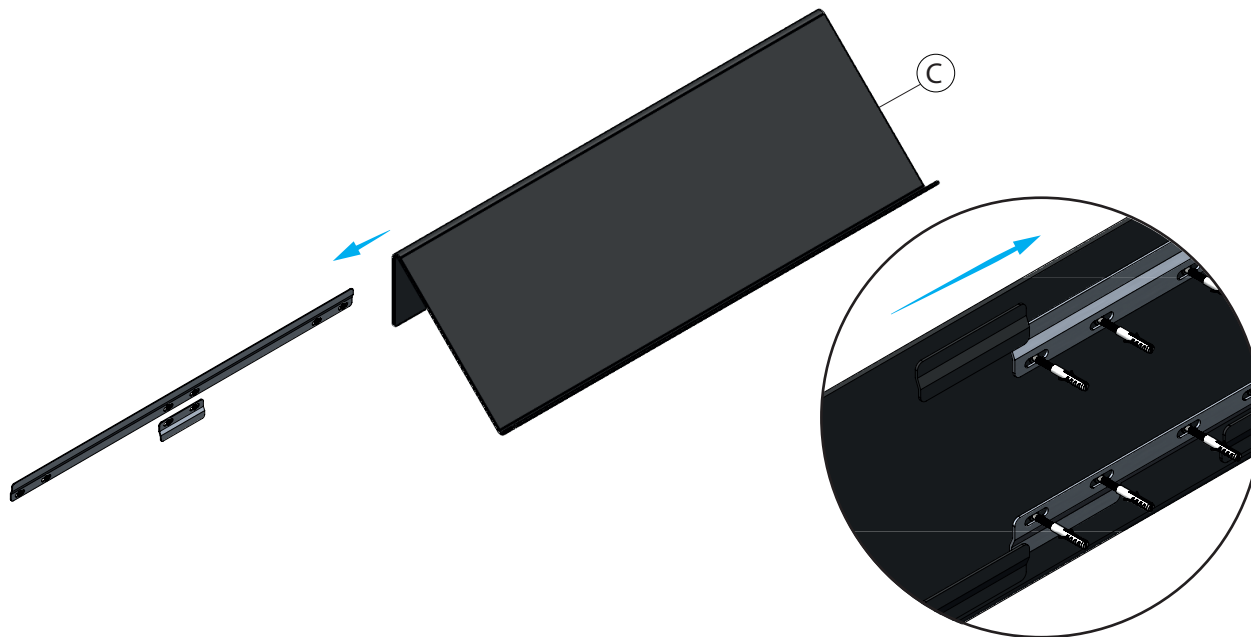


Cleaning and maintenance
Surfaces should be cleaned with a microfibre cloth, glass cleaner or other non abrasive and gentle agents.

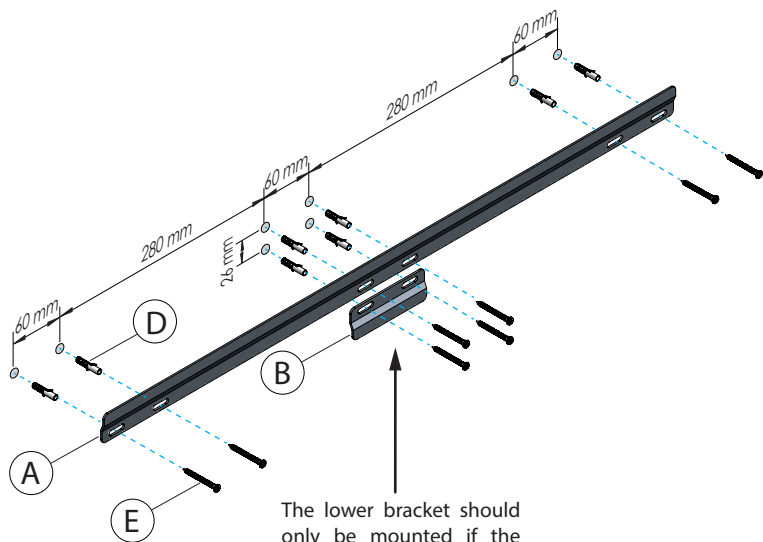
Attention:
Never use solvents or aggressive household cleaners like bleach, acids (e.g. descalers) or ammonia-based bathroom cleaner to clean the product. Steel wool and hard brushes can permanently damage the surface of the steel.



2



1



The lower bracket should only be mounted if the shelf is installed in a public area with risk of people removing the shelf.

3



Cleaning and maintenance
Surfaces should be cleaned with a microfibre cloth, glass cleaner or other non abrasive and gentle agents.

Attention:
Never use solvents or aggressive household cleaners like bleach, acids (e.g. descalers) or ammonia-based bathroom cleaner to clean the product. Steel wool and hard brushes can permanently damage the surface of the steel.