

# FROST

DENMARK

## BUKTO SHELF STAND

Fitting instruction  
Montageanleitung  
Monteringsvejledning  
Monteringsvægledning  
Montage hanleiding  
Manuel de montage

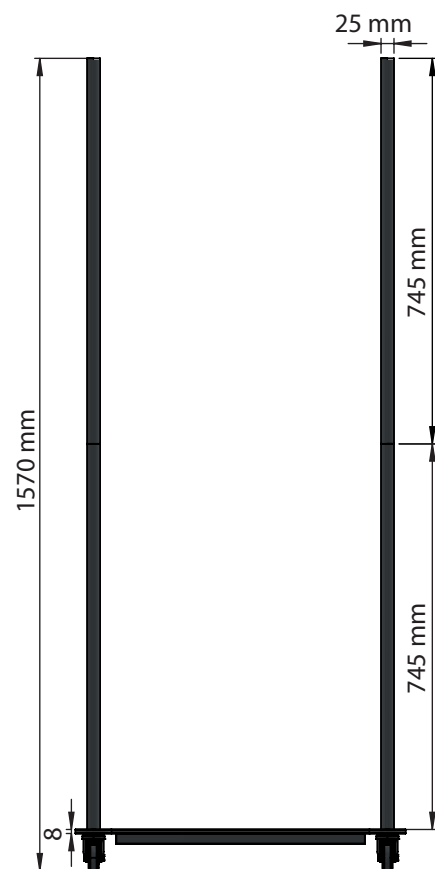
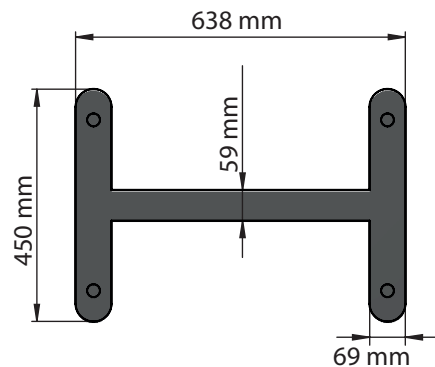
U6060-B + Shelves



U6060-W + Shelves



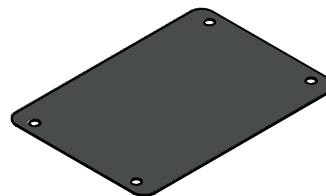
U6060



Shelves are purchased separately

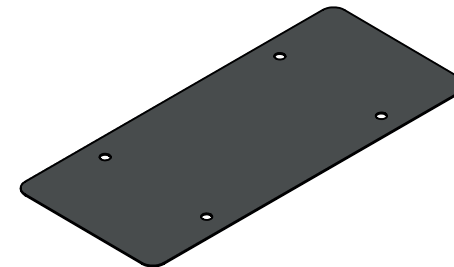
### U6060-638

Height: 23 mm  
Wid: 638 mm  
Projection: 450 mm  
Shelf thickness: 3 mm



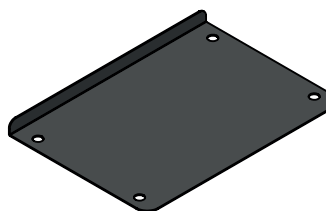
### U6060-1038

Height: 23 mm  
Wid: 1038 mm  
Projection: 450 mm  
Shelf thickness: 3 mm



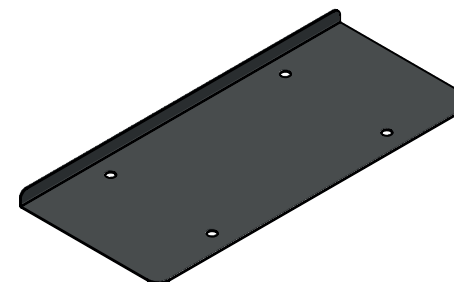
### U6061-638

Height: 80 mm  
Wid: 638 mm  
Projection: 450 mm  
Shelf thickness: 3 mm



### U6061-638

Height: 80 mm  
Wid: 638 mm  
Projection: 450 mm  
Shelf thickness: 3 mm



### Cleaning and maintenance

Powder coated surfaces should be cleaned with a microfibre cloth, glass cleaner or other non abrasive and gentle agents.

### Attention:

Never use solvents or aggressive household cleaners like bleach, acids (e.g. descalers) or ammonia-based bathroom cleaner to clean the product. Steel wool and hard brushes can permanently damage the surface of the steel.

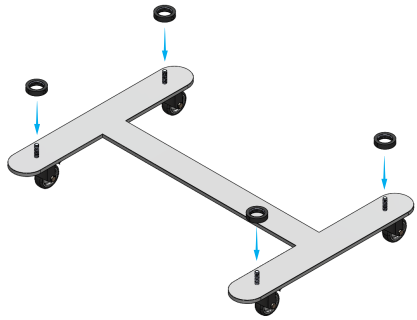
### Exclusion of liability

FROST accepts no liability whatsoever for damage to persons or property that occurs or has occurred as a result of improper installation or maintenance, particularly if the safety instructions and other points to note listed are not or have not been observed in full.

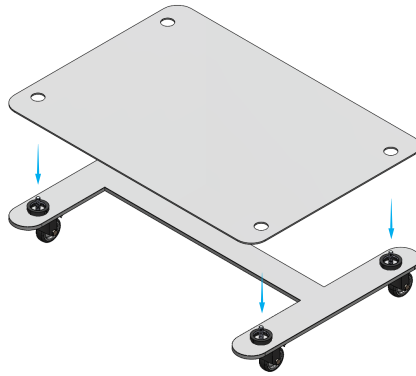
### Warning and hazard notices

Improper mounting or use can lead to accidents and serious injuries.

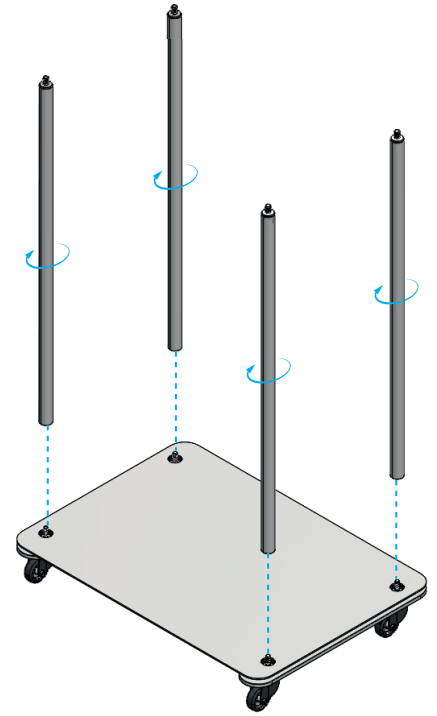
1



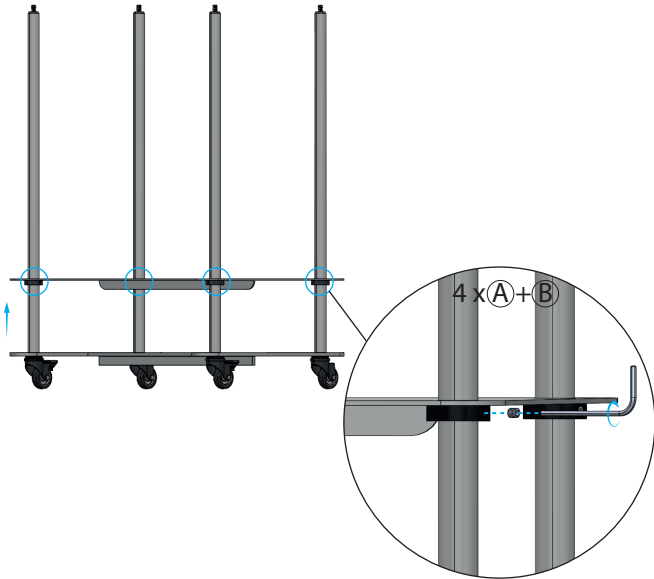
2



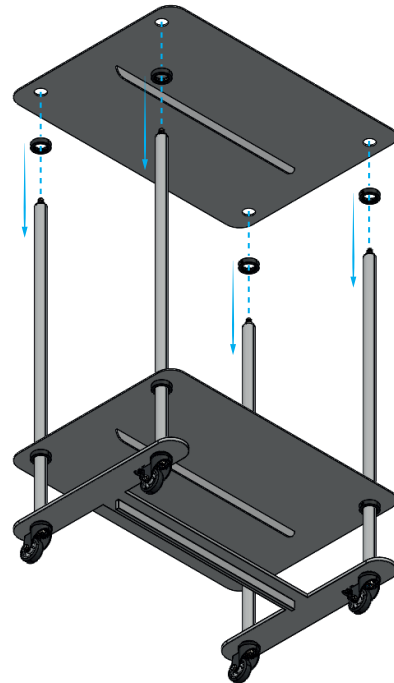
3



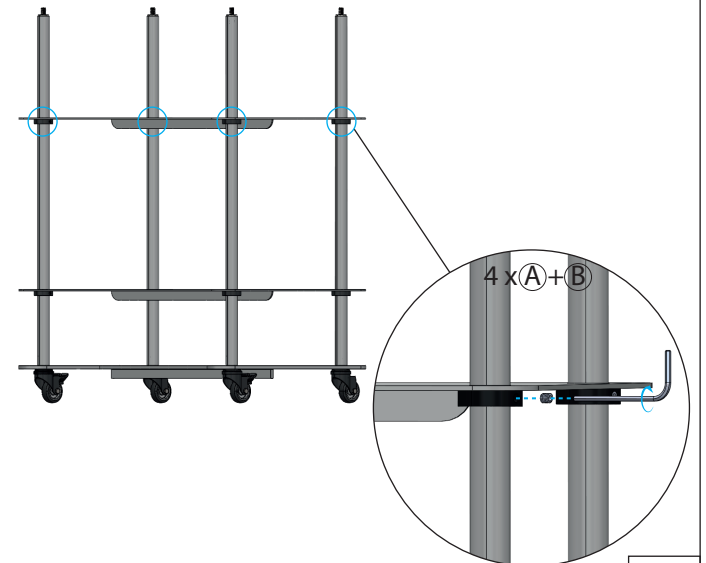
4

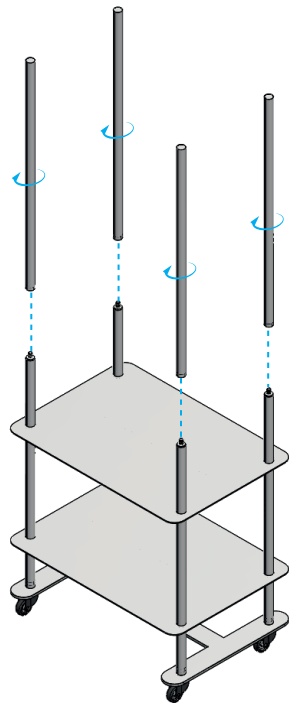


5

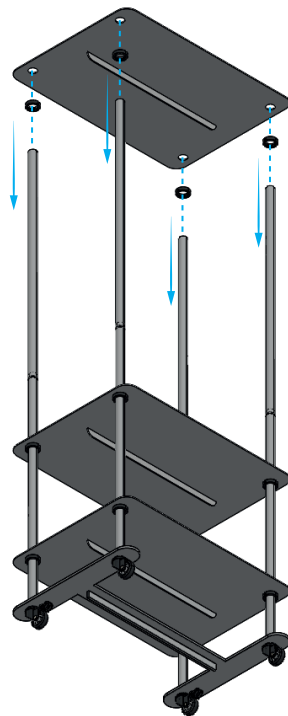


6

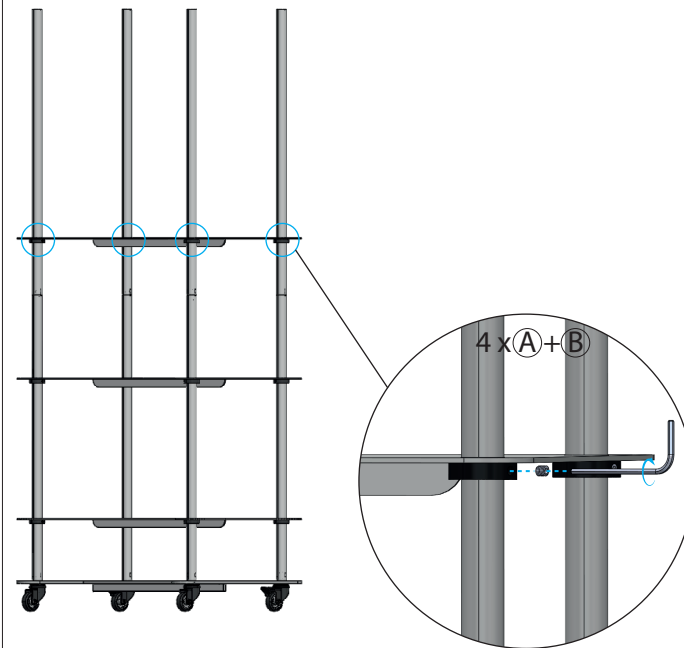




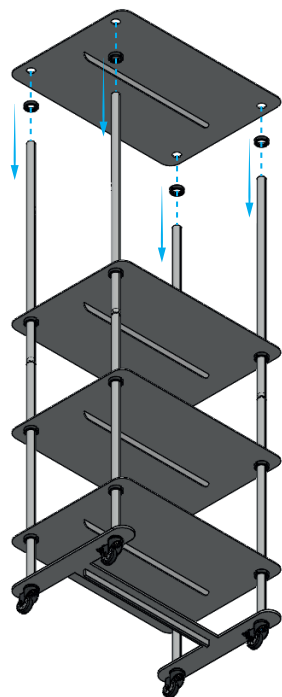
7



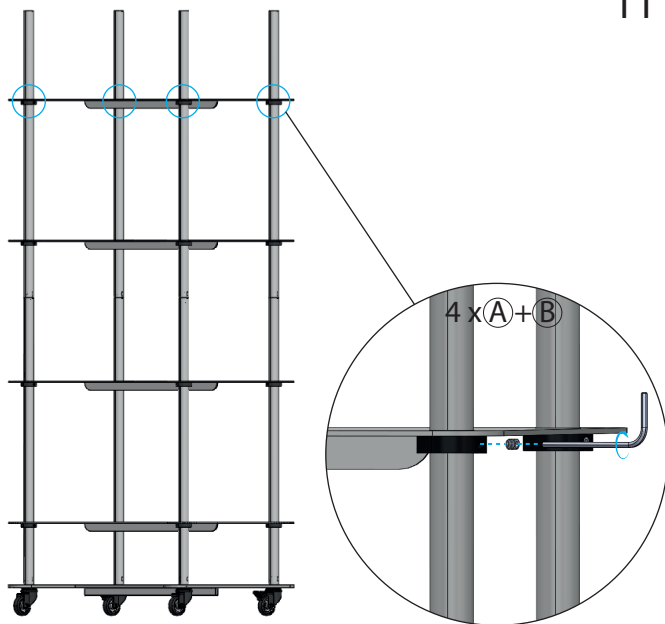
8



9



10

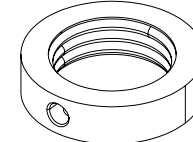


11

Per shelf

(A)

4x



(B)

4x



(C)

1x

