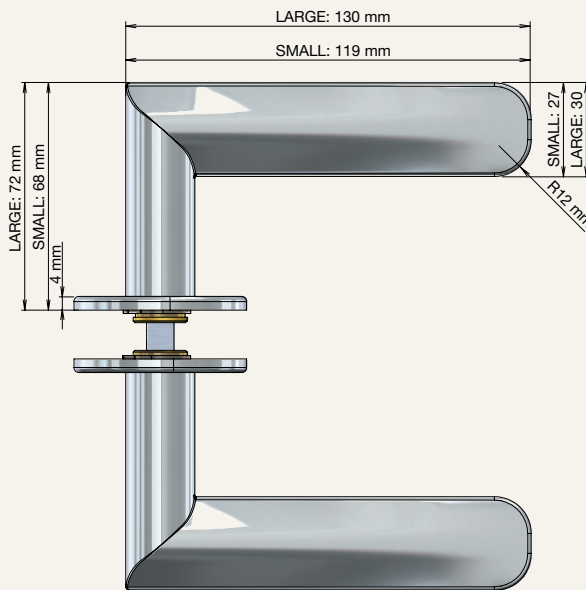
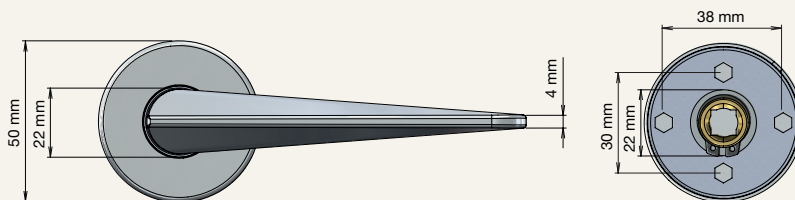


## LEVER HANDLE HB102 LARGE (A1008SS) LEVER HANDLE HB102 SMALL (A1008S)

### PRODUCT DETAILS, TECHNICAL DETAILS AND FITTING INSTRUCTIONS



#### ITEM NUMBERS:

A1008SB, A1008SSB, A1008SP, A1008SSP, A1008SBOC, A1008SSBOC,  
A1008SC, A1008SC, A1008SBMG, A1008SSBMG, A1008SGO, A1008SSGO,  
A1008SBCB, A1008SSBCB, A1008SBS & A1008SSBS

MATERIAL: STAINLESS STEEL AISI 304

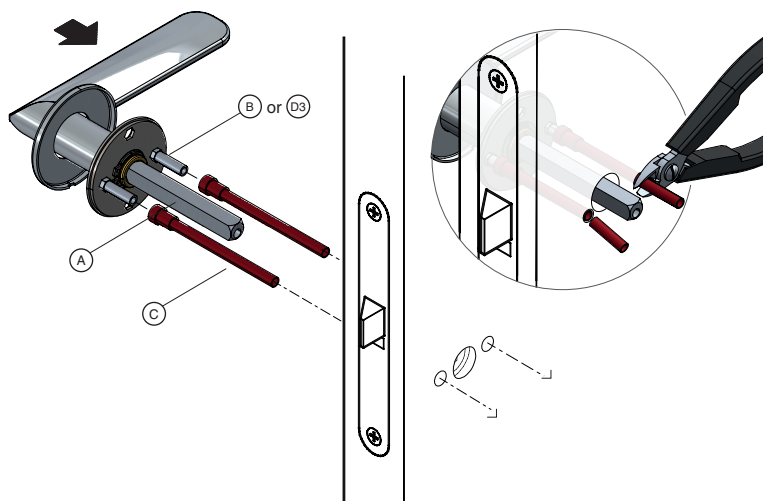
DESIGNED BY BØNNELYCKE MDD

## MOUNTING OF LEVER HANDLE

1

Insert two sleeves (B) or wood screws (D3) into the backplate with the spindle (A) attached.

**NOTE:** The two enclosed plastic tub plugs (C) can be used to secure the screws and obtain a tighter fit. If used; cut off the excess part of the plastic tub plug (C).

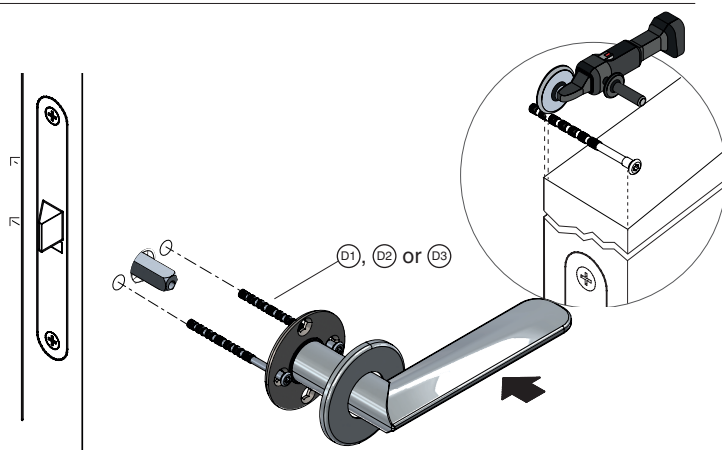


2

Mount the other handle by using (D1), (D2) or (D3)

If used; cut the machine screw (D1) with an angle grinder so its length matches the thickness of the door minus 1 mm.

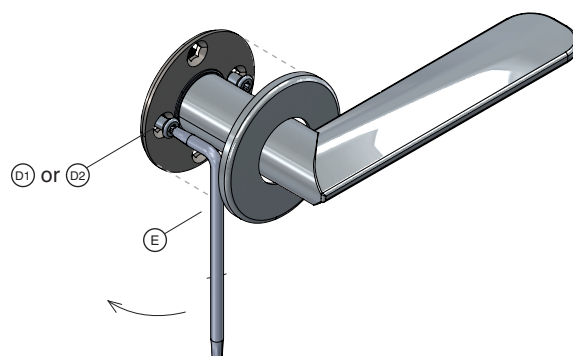
**NOTE:** Door thickness: 40-69 mm



3

Use the enclosed torx key no. 15 (E) to tighten the machine screw (D1) or (D2) until fastened.

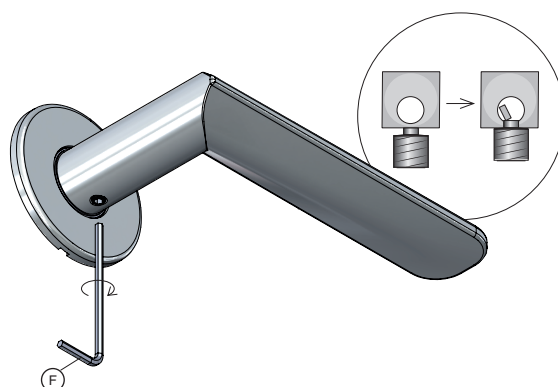
Click the rosette cover onto the backplate.



4

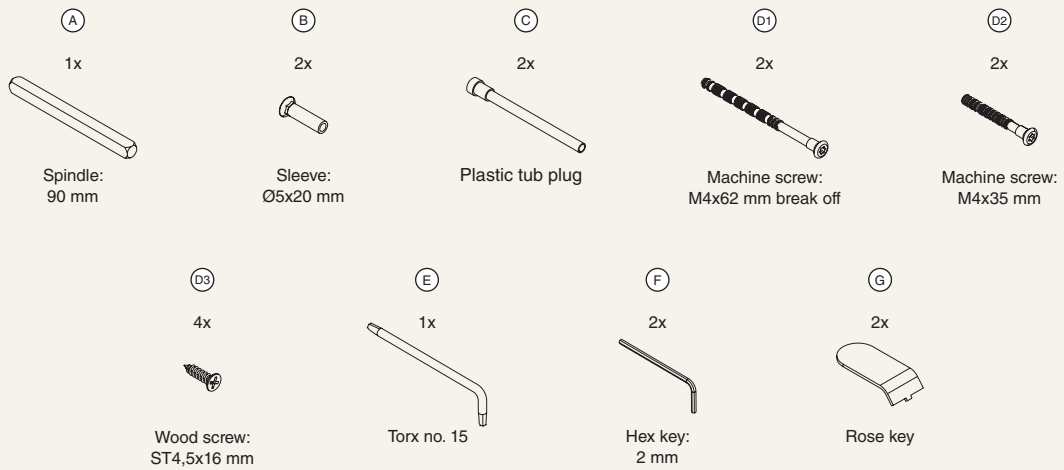
Secure the handle on the spindle (A), by using the hex key (F) to tighten the set screw. When the set screw is tightened, a guide hole is punched in to the spindle.

**NOTE:** For detaching the rosette cover, insert the rose key (G) in the notch underneath the rosette cover.





FIXINGS IN THE BOX



#### **CLEANING AND MAINTENANCE**

Surfaces should be cleaned with a microfiber cloth, glass cleaner or other non abrasive and gentle agents.

#### **ATTENTION:**

Never use solvents or aggressive household cleaners like bleach, acids (e.g. descalers) or ammonia-based bathroom cleaner to clean the product. Steel wool and hard brushes can permanently damage the surface of the steel.

#### **EXCLUSION OF LIABILITY**

FROST accepts no liability whatsoever for damage to persons or property that occurs or has occurred as a result of improper installation or maintenance, particularly if the safety instructions and other points to note listed are not or have not been observed in full.

#### **WARNING AND HAZARD NOTICES**

Improper mounting or use can lead to accidents and serious injuries.

**[www.frostdenmark.com](http://www.frostdenmark.com)**

We are also to be found as frostdenmark on Facebook,  
Instagram, Pinterest and LinkedIn

